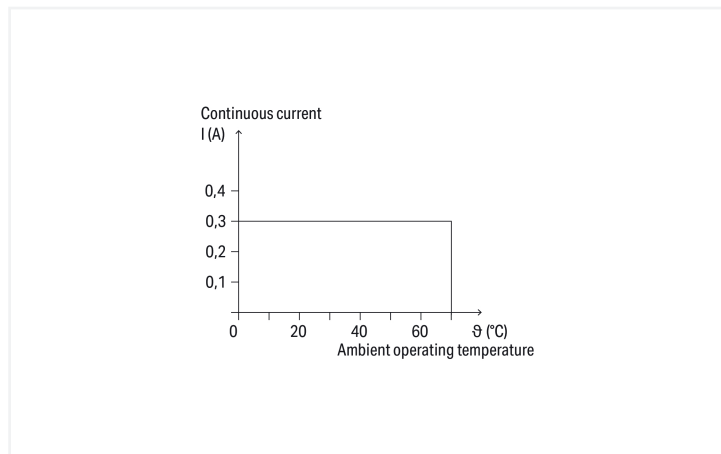
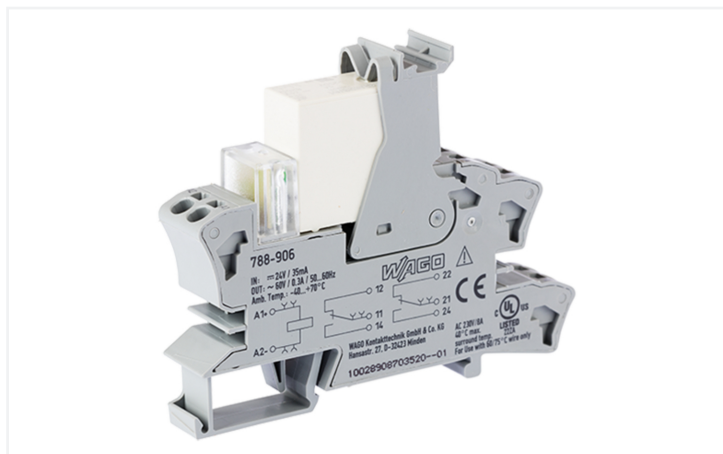


## Data Sheet | Item Number: 788-906

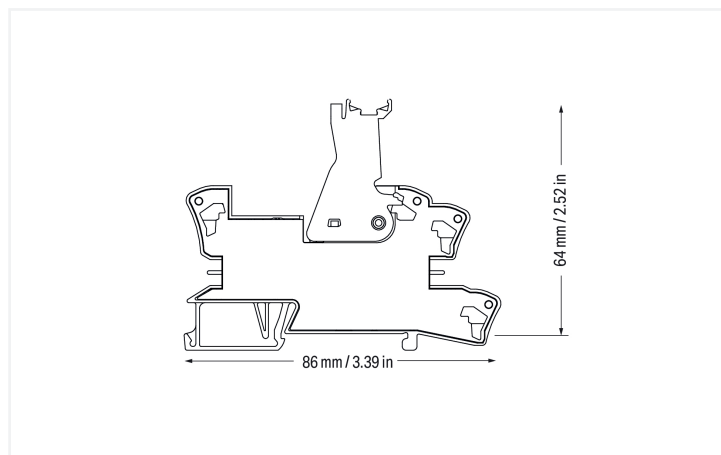
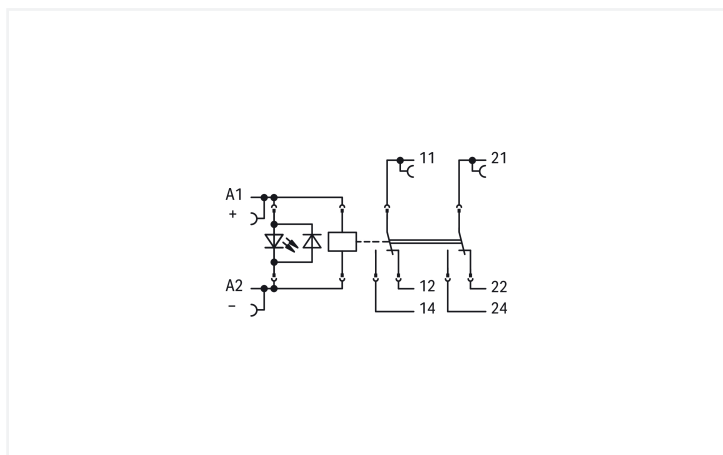
Relay module with driven contacts; Nominal input voltage: 24 VDC; 2 changeover contacts; Limiting continuous current: 0.3 A; Green status indicator; Module width: 15 mm



<https://www.wago.com/788-906>



Current-carrying capacity curve



### Notes

#### Safety Information

Per EN 61810-3, only 1 make contact/1 break contact is permitted for safety circuits (11-14 and 22-21 or 12-11 and 21-24).  
A separator plate (e.g., 209-191) must be used for voltages exceeding 250 V between adjacent relay modules and to comply with reinforced insulation requirements.

#### Note

Reinforced insulation between coil and contacts  
To protect the relay coils and contacts, inductive loads must be dampened with an effective protection circuit.

### Technical data

#### Control circuit

Nominal input voltage $U_N$	24 VDC
Input voltage range	-15 ... +10 %
Nominal input current at $U_N$	30 mA

#### Load circuit

Number of changeover/switchover contacts	2
Contact material (relay)	AgNi + Au
Limiting continuous current	0.3 A
Switching Voltage, Max.	60 VAC
Switching power (resistive) max.	AC 18 VA

### Load circuit

Recommended minimum load	0.1 V / 1 mA / 1 mW
Pull-in time (typ.)	15 ms
Drop-out time (typ.)	12 ms
Electrical life (NO; resistive load; 23 °C)	200 x 10 <sup>3</sup> switching operations
Mechanical life	50 x 10 <sup>6</sup> switching operations
Switching frequency with/without load (max.)	6 min <sup>-1</sup> / 600 min <sup>-1</sup>
Mechanical force-guided operation	Type A

### Signaling

Status indicator	Green LED
------------------	-----------

### Safety and protection

Rated Voltage	250 V
Rated impulse withstand voltage	4 kV
Pollution degree	2
Dielectric strength (control/load circuit) (AC, 1 min)	4 kVrms
Dielectric strength (open contact) (AC, 1 min)	1.5 kVrms
Dielectric strength (load/load circuit) (AC, 1 min)	2.5 kVrms
Safety Information	Per EN 61810-3, only 1 make contact/1 break contact is permitted for safety circuits (11-14 and 22-21 or 12-11 and 21-24). A separator plate (e.g., 209-191) must be used for voltages exceeding 250 V between adjacent relay modules and to comply with reinforced insulation requirements.
Protection type	IP20

### Connection Data

Connection technology	Push-in CAGE CLAMP®
Solid conductor	0.34 ... 2.5 mm <sup>2</sup> / 22 ... 14 AWG
Fine-stranded conductor	0.34 ... 2.5 mm <sup>2</sup> / 22 ... 14 AWG
Strip length	9 ... 10 mm / 0.35 ... 0.39 inches

### Physical data

Width	15 mm / 0.591 inches
Height	86 mm / 3.386 inches
Depth from upper-edge of DIN-rail	64 mm / 2.52 inches

### Mechanical data

Mounting type	DIN-35 rail
---------------	-------------

### Material data

Note (material data)	<a href="#">Information on material specifications can be found here</a>
Fire load	0.612 MJ
Weight	50 g

### Environmental requirements

Ambient temperature (operation at $U_N$ )	-40 ... +70 °C
Ambient temperature UL (operation at $U_N$ )	-40 ... +40 °C
Ambient temperature (storage)	-40 ... +70 °C
Processing temperature	-25 ... +50 °C
Temperature range of connection cable	$\geq (T_{\text{ambient}} + 20 \text{ K})$

### Standards and Specifications

Standards/specifications	EN 61010-2-201 EN 61810-1 EN 61810-3 UL 508 (max. 40 °C)
--------------------------	---

### Commercial data

Product Group	6 (INTERFACE ELECTRONIC)
PU (SPU)	15 (1) pcs
Packaging type	Box
Country of origin	DE
GTIN	4045454515126
Customs tariff number	85364900990

### Product Classification

UNSPSC	39122334
eCl@ss 10.0	27-37-16-01
eCl@ss 9.0	27-37-16-01
ETIM 9.0	EC001437
ETIM 10.0	EC001437
ECCN	NO US CLASSIFICATION

### Environmental Product Compliance

RoHS Compliance Status	Compliant, No Exemption
------------------------	-------------------------

### Approvals / Certificates

#### General approvals



Approval	Standard	Certificate Name
EAC GZO Almaty Standart	TP TC 004/2011	EAC CoC 03084
UL Underwriters Laboratories Inc. (ORDINARY LOCATIONS)	UL 508	E175199 Vol.1 Sec.6

#### Declarations of conformity and manufacturer's declarations

Approval	Standard	Certificate Name
EU-Declaration of Conformity WAGO GmbH & Co. KG	-	-
UK-Declaration of Conformity WAGO GmbH & Co. KG	-	-

Downloads

Environmental Product Compliance

Compliance Search

Environmental Product Compliance 788-906



Documentation

Bid Text

788-906	19.02.2019	xml 4.91 KB	
788-906	25.01.2019	docx 17.03 KB	

Instruction Leaflet

Sockets with Elementary Relay/ SSR	V 1.0.1 09.10.2020	pdf 2271.22 KB	
------------------------------------	-----------------------	-------------------	--

CAD/CAE-Data

CAD data

2D/3D Models 788-906



CAE data

EPLAN Data Portal 788-906	
WSCAD Universe 788-906	
ZUKEN Portal 788-906	

1 Compatible Products

1.1 Optional Accessories

1.1.1 Ferrule

1.1.1.1 Ferrule



**Item No.: 216-241**

Ferrule; Sleeve for 0.5 mm<sup>2</sup> / 20 AWG; insulated; electro-tin plated; electrolytic copper; gastight crimped; acc. to DIN 46228, Part 4/09.90; white

**Item No.: 216-242**

Ferrule; Sleeve for 0.75 mm<sup>2</sup> / 18 AWG; insulated; electro-tin plated; electrolytic copper; gastight crimped; acc. to DIN 46228, Part 4/09.90; gray

**Item No.: 216-243**

Ferrule; Sleeve for 1 mm<sup>2</sup> / AWG 18; insulated; electro-tin plated; electrolytic copper; gastight crimped; acc. to DIN 46228, Part 4/09.90; red

**Item No.: 216-244**

Ferrule; Sleeve for 1.5 mm<sup>2</sup> / AWG 16; insulated; electro-tin plated; electrolytic copper; gastight crimped; acc. to DIN 46228, Part 4/09.90; black



**Item No.: 216-542**

Twin ferrule; Sleeve for 2 x 1 mm<sup>2</sup> / AWG 2 x 18; red, insulated; 12 mm long; red

## 1.1.2 Indicators

### 1.1.2.1 Status indication



**Item No.: 788-120**

Accessories for relay modules; Operation status indicator: red; Nominal operating voltage: 24 VDC

## 1.1.3 Jumper

### 1.1.3.1 Jumper



**Item No.: 788-118**

Jumper; for jumper slot; 2-way; from 1 to 3; insulated; light gray



**Item No.: 788-113**

Jumper; for jumper slot; 2-way; insulated; light gray



**Item No.: 859-402**

Jumper; for jumper slot; 2-way; insulated; light gray



**Item No.: 788-114**

Jumper; for jumper slot; 3-way; insulated; light gray



**Item No.: 788-115**

Jumper; for jumper slot; 4-way; insulated; light gray



**Item No.: 788-116**

Jumper; for jumper slot; 6-way; insulated; light gray



**Item No.: 788-117**

Jumper; for jumper slot; 8-way; insulated; light gray

## 1.1.4 Marking

### 1.1.4.1 Double marker carrier



**Item No.: 209-128**

Adaptor; gray

### 1.1.4.2 Group marker carrier



**Item No.: 249-105**

Group marker carrier; gray



**Item No.: 209-145**

Group marker carrier; white

### 1.1.4.3 Marker



**Item No.: 209-183**

Marker; white



**Item No.: 793-502**

WMB marking card; as card; MARKED; 1 ... 10 (10x); not stretchable; Horizontal marking; snap-on type; white



**Item No.: 793-503**

WMB marking card; as card; MARKED; 11 ... 20 (10x); not stretchable; Horizontal marking; snap-on type; white



**Item No.: 793-504**

WMB marking card; as card; MARKED; 21 ... 30 (10x); not stretchable; Horizontal marking; snap-on type; white



**Item No.: 793-505**

WMB marking card; as card; MARKED; 31 ... 40 (10x); not stretchable; Horizontal marking; snap-on type; white



**Item No.: 793-501**

WMB marking card; as card; not stretchable; plain; snap-on type; white



**Item No.: 2009-115**

WMB-inline; for Smart Printer; 1500 pieces on roll; stretchable 5 - 5.2 mm; plain; snap-on type; white

#### 1.1.4.4 Marking device



**Item No.: 210-110**

Fiber-tip pen

#### 1.1.4.5 Marking strip



**Item No.: 2009-110**

Marking strips; for Smart Printer; on reel; not stretchable; plain; snap-on type; white

#### 1.1.4.6 Protective marker cover



**Item No.: 209-184**

Protection cover; transparent

#### 1.1.5 Tool

##### 1.1.5.1 Operating tool

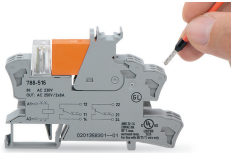


**Item No.: 210-720**

Operating tool; Blade: 3.5 x 0.5 mm; with a partially insulated shaft; multicoloured

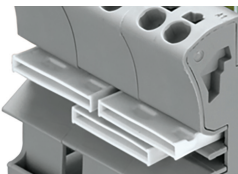
### Installation Notes

#### Conductor termination



Conductor termination

#### Commoning



Easy commoning using adjacent jumpers

Marking



Marking using WMB Multi markers and group marker carriers.