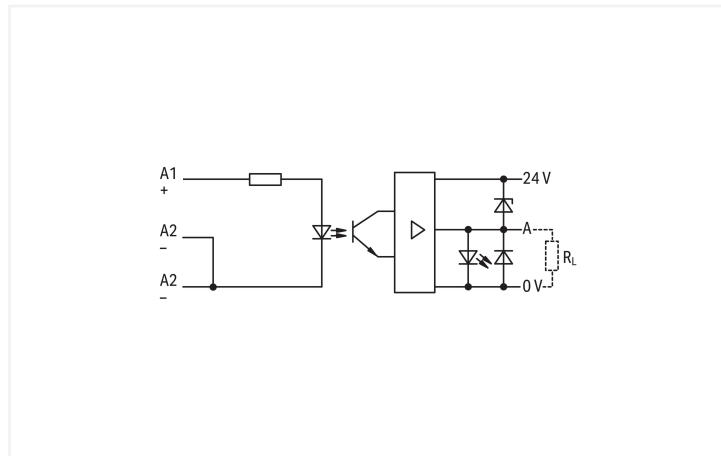


Data Sheet | Item Number: 286-723

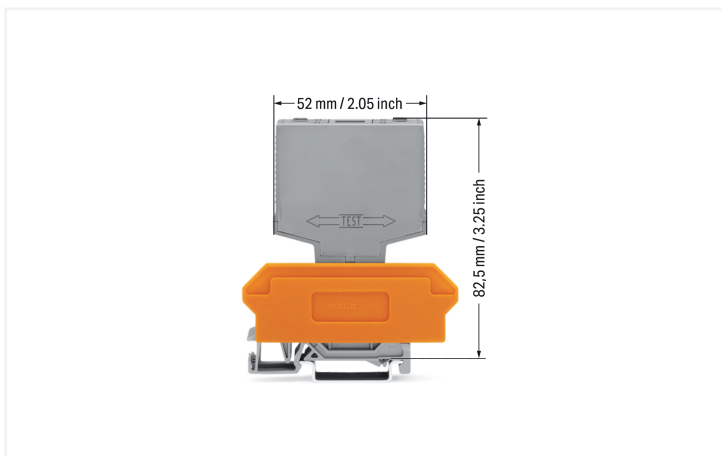
Optocoupler module; Nominal input voltage: 24 VDC; Output voltage range: 15 ... 30 VDC; Limiting continuous current: 4 A; 3-wire connection/high-side switching; Red status indicator; Module width: 15 mm; gray



<https://www.wago.com/286-723>



Color: ■ gray



Technical data

Control circuit

Nominal input voltage U_N	24 VDC
Input voltage range (high level)	15 ... 30 VDC
Nominal input current at U_N	14 mA
Input current range	7.6 ... 15 mA

Load circuit

Circuit type	3-wire connection High-side switching
Limiting continuous current	4 A
Nominal output voltage	24 VDC
Output voltage range	20 ... 30 VDC
Voltage drop	≤ 1.2 VDC
Leakage current at rated voltage	≤ 2 μ A
Output closed-circuit current (without load) max.	12 mA
Turn-on time	≤ 15 μ s
Turn-off time	≤ 25 μ s
Switching frequency	≤ 2.5 kHz

Signaling

Status indicator	Red LED
------------------	---------

Safety and protection

Pollution degree	2
Dielectric strength (control/load circuit) (AC, 1 min)	2.5 kVrms
Protection type	IP20

Physical data

Width	15 mm / 0.591 inches
Height	52 mm / 2.047 inches
Depth from upper-edge of DIN-rail	82.5 mm / 3.25 inches
Note (dimensions)	Depth including carrier terminal block

Mechanical data

Mounting type	Pluggable module for receptacle terminal blocks
---------------	---

Material data

Note (material data)	Information on material specifications can be found here
Color	gray
Fire load	0.292 MJ
Weight	26.8 g

Environmental requirements

Ambient temperature (operation at U_N)	-25 ... +40 °C
Ambient temperature (storage)	-25 ... +40 °C
Processing temperature	-25 ... +50 °C
Relative humidity	5 ... 95 % (no condensation permissible)
Operating altitude (max.)	2000 m

Standards and Specifications

Standards/specifications	EN 60664-1
--------------------------	------------

Commercial data

Product Group	6 (INTERFACE ELECTRONIC)
PU (SPU)	15 (1) pcs
Packaging type	Box
Country of origin	DE
GTIN	4045454413682
Customs tariff number	85365005000

Product Classification

UNSPSC	39121521
eCl@ss 10.0	27-26-15-03
eCl@ss 9.0	27-26-15-03
ETIM 9.0	EC001504
ETIM 10.0	EC001504
ECCN	NO US CLASSIFICATION

Environmental Product Compliance

CAS-No.	1303-86-2 1317-36-8 7439-92-1 79-94-7
REACH Candidate List Substance	2,2',6,6'-tetrabromo-4,4'-isopropylidenediphenol Diboron trioxide Lead Lead monoxide
RoHS Compliance Status	Compliant,With Exemption
RoHS Exemption	6(c) 7(a) 7(c)-I 7(c)-II
SCIP notification number (Austria)	3420c7d7-f720-4f7d-8420-8786d3640c98
SCIP notification number (Belgium)	01df022f-45e8-4d1c-962a-c67b99be2c82
SCIP notification number (Bulgaria)	3ed285bd-5ec5-47f3-b7a9-6df49d6fdb2d
SCIP notification number (Czech Republic)	84e7d960-677f-43bf-99ff-8fc4f49751db
SCIP notification number (Denmark)	b367a75b-cc54-45ef-ad5d-e1f3472a2f35
SCIP notification number (Finland)	ee3d777f-8c2e-48b2-bd2b-b04a02452748
SCIP notification number (France)	34171ae5-ccdf-41b1-80d3-3bacd1aa04f2
SCIP notification number (Germany)	cd6c3e4a-6fdb-4bff-9a80-18f4d35351f8
SCIP notification number (Hungary)	584c708d-e46c-4371-95d9-74f4b7521fce
SCIP notification number (Italy)	96d5dbe9-4688-443f-b60d-adcb99974ed2
SCIP notification number (Netherlands)	8ea23df2-70a7-4462-b7c0-48661e982c2f
SCIP notification number (Poland)	13f1f332-95eb-4de4-a2d1-a1c9b44823fd
SCIP notification number (Romania)	f8219242-ec3f-48e6-9dc5-99a2d4a92680
SCIP notification number (Sweden)	31b6e551-b00f-4b62-a812-b719ec71811c

Approvals / Certificates

General approvals



Approval	Standard	Certificate Name
EAC GZO Almaty Standart	TP TC 020/2011	EAC CoC 03081

Downloads

Environmental Product Compliance

Compliance Search

Environmental Product Compliance 286-723



Documentation

Bid Text

286-723	20.02.2019	docx 15.31 KB	
286-723	19.02.2019	xml 3.80 KB	

Instruction Leaflet

Operation and Assembly Instructions Interface	V 1.0.0 02.04.2025	pdf 1246.19 KB	
---	-----------------------	-------------------	--

CAD/CAE-Data

CAD data

2D/3D Models 286-723



CAE data

WSCAD Universe 286-723



1 Compatible Products

1.1 Optional Accessories

1.1.1 Marking

1.1.1.1 Marker



[Item No.: 209-701](#)

WSB marking card; as card; not stretchable; plain; snap-on type; white

1.1.2 Terminal blocks

1.1.2.1 Terminal block for pluggable modules



[Item No.: 280-619](#)

Terminal block for pluggable modules; 6-pole; with 2-conductor terminal blocks; with orange separator; for DIN-rail 35 x 15 and 35 x 7.5; 2.5 mm²; CAGE CLAMP®; 2,50 mm²; gray



[Item No.: 280-763](#)

Terminal block for pluggable modules; 6-pole; with 4-conductor terminal blocks; with marker carrier; with orange separator; for DIN-rail 35 x 15 and 35 x 7.5; 2.5 mm²; CAGE CLAMP®; 2,50 mm²; gray

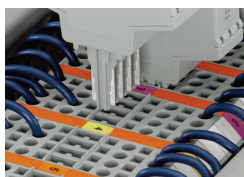


[Item No.: 280-609](#)

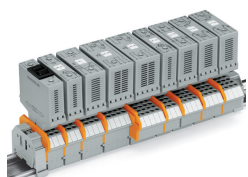
Terminal block for pluggable modules; 6-pole; with 4-conductor terminal blocks; with orange separator; for DIN-rail 35 x 15 and 35 x 7.5; 2.5 mm²; CAGE CLAMP®; 2,50 mm²; gray

Installation Notes

Installation



Coding ensures correct polarity.



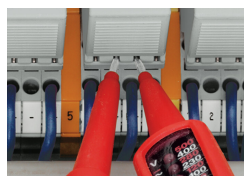
Pluggable electronic modules on 2- or 4-conductor carrier terminal blocks

Marking



Marking via WMB Multi Marking System.

Testing



Function testing via touch-proof test slots