

## KTB MH 355520 S4E1

**Weidmüller Interface GmbH & Co. KG**  
 Klingenbergstraße 26  
 D-32758 Detmold  
 Germany

[www.weidmueller.com](http://www.weidmueller.com)

### Similar to illustration



Abbildung ähnlich

The Klippon® TB enclosure range provides excellent performance characteristics, even under the most difficult environmental conditions. In addition, it complies with the stricter requirements of potentially explosive atmospheres found specifically in the process or power generation industries. The Klippon® TB MH enclosure range offers further improvements to a product line that is already successfully leading the market.

The Klippon® TB MH enclosure range has the following advantages:

- Available in 15 sizes and 3 standard depths
- Equipped with up to 1 gland plate
- The gasket is protected against compression
- Completely removable padlock tab
- Cover lock outside the sealed zone
- Improved temperature performance
- IP66/IP67 protection
- Completely removable lid – without a tool
- Earthing stud in the cover and base of the enclosure
- Welded mounting feet
- International approvals

### General ordering data

Version	Klippon TB MH (Terminal Box - Multi Hinge), Empty enclosure, stainless steel enclosure, Height: 350 mm, Width: 550 mm, Depth: 200 mm, Gland plates: Bottom, Material: Stainless steel 1.4404 (316L), electropolished, silver
Order No.	<a href="#">2698050000</a>
Type	KTB MH 355520 S4E1
GTIN (EAN)	4064675030256
Qty.	1 ST

## KTB MH 35520 S4E1

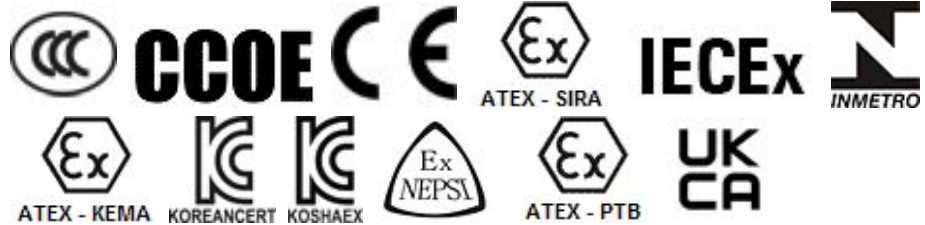
**Weidmüller Interface GmbH & Co. KG**  
 Klingenbergstraße 26  
 D-32758 Detmold  
 Germany

www.weidmueller.com

## Technical data

### Approvals

Approvals



ROHS Conform

### Dimensions and weights

Depth	200 mm	Depth (inches)	7.874 inch
Height	350 mm	Height (inches)	13.7795 inch
Width	550 mm	Width (inches)	21.6535 inch
Mounting dimension - height	376 mm	Mounting dimension - width	350 mm
Net weight	13520 g		

### Temperatures

Operating temperature	-60 °C... 135 °C	Note: room temperature (service)	Limited to IP66 protection when used in temperatures greater than 105 °C.
-----------------------	------------------	----------------------------------	---

### Environmental Product Compliance

RoHS Compliance Status	Compliant with exemption
RoHS Exemption (if applicable/known)	6c
REACH SVHC	Lead 7439-92-1
SCIP	8d5fcdfe-c58e-44e1-a6b4-74d2bbccc9dd

### Cable glands, left

M63	3	M75	2
M12	45	M50	3
M16	30	M32	9
M25	17	M20	20
M40	7		

### Cable glands, right

M25	17	M63	3
M75	2	M16	30
M40	7	M50	3
M32	9	M20	20
M12	45		

### Cable glands, top/bottom

M20	30	M12	70
M63	4	M40	12
M32	14	M25	26
M50	5	M75	3
M16	48		

## KTB MH 35520 S4E1

**Weidmüller Interface GmbH & Co. KG**

 Klingenbergstraße 26  
 D-32758 Detmold  
 Germany

[www.weidmueller.com](http://www.weidmueller.com)

## Technical data

### Certificate numbers enclosure

Declaration of Conformity No. (DoC LVD)	DE PS261X 160412 001ISS03	Attestation of Conformity No. (AoC)	DE PS261X 160309 001ISS06
Certificate no. empty enclosure (ECAS)	21-09-25241/ E21-09-053807	Certificate no. Terminal Box (KOSHA)	16-AV4BO-0245X
Certificate no. empty enclosure (INMETRO)	LMP 21.0016U	Certificate no. Terminal Box (NEPSI)	GYJ14.1309
Certificate no. empty enclosure (NEPSI)	GYJ14.1308U	Certificate no. Terminal Box (AEx)	E223792
Certificate No. (CCOE)	P461058_1	Certificate no. Terminal Box (ATEX)	IBExU14ATEX1050
Certificate no. empty enclosure (ATEX)	IBExU14ATEX1028 U	Certificate no. Terminal Box (INMETRO)	LMP 21.0017
Certificate no. (INMETRO)	IEX17.0021	Certificate no. Terminal Box (IECEX)	IECEXIBE14.0013
Certificate no. empty enclosure (IECEX)	IECEX IBE 14.0004U	Certificate No. (IECEX)	IECEXPTB11.0071
Certificate No. (ATEX)	PTB11ATEX2019	Approval conditions	ATEX, CCoE, DNV, IECEX, INMETRO, KC, NEPSI, CCC, UL AEx Class Div., UL AEx Class Zone, cULus

### General information

Material thickness of cover	1.5 mm	Material thickness of flange	3 mm
Material thickness of enclosure	1.5 mm	Operating temperature, max.	135 °C
Operating temperature, min.	-60 °C	Lid attachment	4 hinges and M6 hex-head slotted screws SW10
Standards	DIN EN 62208 - Empty enclosure standard, DIN EN 61373 Class 1B**, DIN EN 15085-2, EN 60079-0, EN 60079-7, EN 60079-31, IEC 60079-0, IEC 60079-7, IEC 60079-31	Surface finish	electropolished
Impact resistance	7 J ATEX version, 10 J version standard	AF size	10 mm
Protection degree	IP66, IP67	Material	Stainless steel 1.4404 (316L)
Seal material	Silicone	Torque for lid screws	2.5 Nm
Integral fixing	4, 6 or 9 stud bolts M6 inner (female) thread	Enclosure attachment	4 welded-on mounting feet with 11 mm holes (2 slotted feet and 2 cross-shaped feet)
Note: protection class	If used in temperature ranges above 105 °C, IP protection is limited to IP 66.	Flange plate mounting	M6 hexagonal head screws 10 SW
Protection class (UL)	Type 3, Type 4X, Type 12	Number of lid screws	6
Gland plates	Bottom	Dimension of box	710x550x290
Access opening: width	497 mm	Opening angle lid	130.00 °
Overall dimensions	363x582x215	Flange plate	Yes
Max. payload	77 kg	Access opening: height	291 mm
Position PE bolts	Enclosure side C	Areas of use	Explosive risk zone, Process industry, Oil and gas industry, Chemical industry, Offshore, Onshore

### Housing earth

Earth, enclosure, internal	Welded-on M6 stainless-steel earth stud in enclosure body and lid.
----------------------------	--

**KTB MH 35520 S4E1**

**Weidmüller Interface GmbH & Co. KG**  
 Klingenbergstraße 26  
 D-32758 Detmold  
 Germany

www.weidmueller.com

**Technical data**

**horizontal assembly**

WDU 10 / ZDU 10	2x46	WDU 16 / ZDU 16	1x39
WDU 2,5 / ZDU 2,5 / IDU 2,5	2x91	WDU 35 / ZDU 35	1x29
WDU 4 / ZDU 4	2x76	WDU 6 / ZDU 6	2x58

**vertical assembly**

WDU 10 / ZDU 10	3x26	WDU 16 / ZDU 16	3x22
WDU 2,5 / ZDU 2,5 / IDU 2,5	4x52	WDU 35 / ZDU 35	2x16
WDU 4 / ZDU 4	4x43	WDU 6 / ZDU 6	4x32

**Classifications**

ETIM 6.0	EC002503	ETIM 7.0	EC002503
ETIM 8.0	EC002503	ETIM 9.0	EC002503
ETIM 10.0	EC002503	ECLASS 9.0	27-18-05-02
ECLASS 9.1	27-18-05-02	ECLASS 10.0	27-18-05-02
ECLASS 11.0	27-18-05-02	ECLASS 12.0	27-18-05-02
ECLASS 13.0	27-18-05-02	ECLASS 14.0	27-18-05-02
ECLASS 15.0	27-18-05-02		

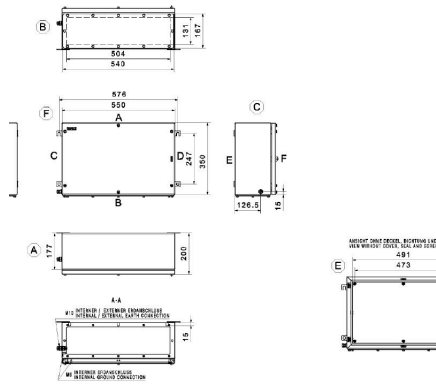
**KTB MH 35520 S4E1**

**Weidmüller Interface GmbH & Co. KG**  
Klingenbergstraße 26  
D-32758 Detmold  
Germany

**Drawings**

[www.weidmueller.com](http://www.weidmueller.com)

**Dimensioned drawing**



## KTB MH 35520 S4E1

**Weidmüller Interface GmbH & Co. KG**  
 Klingenbergstraße 26  
 D-32758 Detmold  
 Germany

www.weidmueller.com

## Accessories

## Type label holder



Integrate, expand and customise: The ideal expansion for every application

The consistent structure of accessories for the new Klippon® TB enclosure range means that you can easily adapt the enclosure to the specific requirements of each application.

Nameplate holders

There are a variety of designed label holders available for prominent display as required and for additional nameplates as needed.

## General ordering data

Type	TPSDHA KTB 100X25 S2 2R	Version
Order No.	<a href="#">1257640000</a>	Klippon TB (Terminal Box), Ratings plate holder, Riveted, Height: 25 mm, Width: 141 mm, Depth: 16.5 mm, Material: Stainless steel
GTIN (EAN)	4050118070354	
Qty.	1 ST	1.4301, Mirror polished, silver
Type	TPSDHA KTB 130X50 S2 R	Version
Order No.	<a href="#">1283450000</a>	Klippon TB (Terminal Box), Ratings plate holder, Riveted, Height: 50 mm, Width: 171 mm, Depth: 16.5 mm, Material: Stainless steel
GTIN (EAN)	4050118073621	
Qty.	1 ST	1.4301, Mirror polished, silver
Type	TPSDHA KTB 70X70M3 S2 R	Version
Order No.	<a href="#">1279320000</a>	Klippon TB (Terminal Box), Ratings plate holder, Riveted, Height: 70 mm, Width: 70 mm, Depth: 20 mm, Material: Stainless steel 1.4301, Mirror polished, silver
GTIN (EAN)	4050118070101	
Qty.	1 ST	

## Installation material



Integrate, expand and customise - the perfect supplement to every application

The fully structured range of system accessories for the new Klippon® TB enclosure series allows you to easily adapt the enclosures to meet the specific requirements of every application.

Mounting hardware kits

Mounting hardware kits are available for quick and easy installation of type label holders, document holders and rain hoods.

The label fastening set – SD is required to install a plastic (Trafolyte) ID or type label. With the aid of this set can you mount the ID or type label directly on the enclosure cover. The label fastening set has been specially developed for this purpose. Only by using this fastening set can you ensure that there will be no leaks into the enclosure or damage to the label.

The universal fastening set – TPSD has been developed to enable secure and quick installation of type label holders, rain covers or document holders, for example. By using this fastening set, the risk of leaks can be minimised, if not avoided.

## KTB MH 35520 S4E1

**Weidmüller Interface GmbH & Co. KG**

Klingenbergstraße 26  
D-32758 Detmold  
Germany

www.weidmueller.com

## Accessories

### General ordering data

Type	SD FIXING SET	Version
Order No.	<a href="#">1285200000</a>	Klippon TB (Terminal Box), Identification plate fixing set, Height: 12 mm, Width: 12 mm, Depth: 16.4 mm, Material: Stainless steel, rust-proof, untreated, silver
GTIN (EAN)	4050118075472	
Qty.	1 ST	
Type	TPSD FIXING SET KTB	Version
Order No.	<a href="#">1252190000</a>	Klippon TB (Terminal Box), Type plate fixings set, Material: Stainless steel, rust-proof, untreated, silver
GTIN (EAN)	4050118043969	
Qty.	20 ST	

### Earthing stud



**Integrate, expand and customise: The ideal expansion for every application**

The consistent structure of accessories for the new Klippon® TB enclosure range means that you can easily adapt the enclosure to the specific requirements of each application.

**Earthing bolt**

Earthing bolts to exchange as a complete component in two versions – brass and stainless steel.

### General ordering data

Type	PEBZ M10 KTB BR SET	Version
Order No.	<a href="#">1192680000</a>	Klippon TB (Terminal Box), Earthing stud, Miscellaneous, Height: 21 mm, Width: 21 mm, Depth: 48.7 mm, Material: Brass, untreated, silver
GTIN (EAN)	4032248974641	
Qty.	1 ST	
Type	PEBZ M10 KTB S4 SET	Version
Order No.	<a href="#">1192690000</a>	Klippon TB (Terminal Box), Earthing stud, Miscellaneous, Height: 21 mm, Width: 21 mm, Depth: 48.7 mm, Material: Stainless steel
GTIN (EAN)	4032248974658	
Qty.	1 ST	1.4404, untreated, silver

### Document holders



**Integrate, expand and customise - the perfect supplement to every application**

The fully structured range of system accessories for the new Klippon® TB enclosure series allows you to easily adapt the enclosures to meet the specific requirements of every application.

**Document holders**

Document holders for the proper storage of documents in the enclosure

### General ordering data

Type	DOHA KTB A6 S2 R	Version
Order No.	<a href="#">1252780000</a>	Klippon TB (Terminal Box), Document holders, Riveted, Height: 110 mm, Width: 130 mm, Depth: 20 mm, Material: Stainless steel
GTIN (EAN)	4050118045512	
Qty.	1 ST	1.4301, Mirror polished, silver
Type	DOHA KTB A5 S2 R	Version
Order No.	<a href="#">1252750000</a>	Klippon TB (Terminal Box), Document holders, Riveted, Height: 150 mm, Width: 180 mm, Depth: 20 mm, Material: Stainless steel
GTIN (EAN)	4050118045390	
Qty.	1 ST	1.4301, Mirror polished, silver

## KTB MH 35520 S4E1

**Weidmüller Interface GmbH & Co. KG**  
 Klingenbergstraße 26  
 D-32758 Detmold  
 Germany

www.weidmueller.com

## Accessories

Type	DOHA KTB A4 S2 R	Version
Order No.	<a href="#">1252730000</a>	Klippon TB (Terminal Box), Document holders, Riveted, Height:
GTIN (EAN)	4050118045383	200 mm, Width: 240 mm, Depth: 20 mm, Material: Stainless steel
Qty.	1 ST	1.4301, Mirror polished, silver

## Mounting plates



Mounting plates, with and without hole patterns, for longitudinal and transverse mounting of DIN mounting rails or components directly onto the mounting plate.

## General ordering data

Type	GFSC M5X10 TX20 SET	Version
Order No.	<a href="#">1274150000</a>	Klippon EB (Essential Box), Mounting screw, Height: 13.3 mm, Width:
GTIN (EAN)	4050118063820	8.5 mm, Depth: 8.5 mm, Material: Steel, galvanized, galvanic zinc
Qty.	1 ST	plated and passivated, silver

## Depth 15 mm



Integrate, expand and customise: The ideal expansion for every application

The consistent structure of accessories for the new Klippon® TB enclosure range means that you can easily adapt the enclosure to the specific requirements of each application.

Terminal rails

The mounting rails are available in two sizes for mounting DIN rails (e.g. electronics, terminals) components in the enclosures.

## General ordering data

Type	TS35X15 ST KTB3555 HOR	Version
Order No.	<a href="#">8000073448</a>	Rail, TS 35, TS 35 x 15, Width: 489 mm, without slot, Steel, galvanic
GTIN (EAN)	4064675356820	zinc plated and passivated
Qty.	20 ST	



## KTB MH 35520 S4E1

**Weidmüller Interface GmbH & Co. KG**  
 Klingenbergstraße 26  
 D-32758 Detmold  
 Germany

www.weidmueller.com

## Accessories

### Depth 7.5 mm



Integrate, expand and customise: The ideal expansion for every application

The consistent structure of accessories for the new Klippon® TB enclosure range means that you can easily adapt the enclosure to the specific requirements of each application.

**Terminal rails**

The mounting rails are available in two sizes for mounting DIN rails (e.g. electronics, terminals) components in the enclosures.

### General ordering data

Type	TS35X7.5 ST KTB3555 HOR	Version	
Order No.	<a href="#">8000073447</a>	Rail, TS 35, TS 35 x 7.5, Width: 489 mm, without slot, Steel, galvanic	
GTIN (EAN)	4064675356806	zinc plated and passivated	
Qty.	20 ST		

### 350 x 550 mm



Integrate, expand and customise: The ideal expansion for every application

The consistent structure of accessories for the new Klippon® TB enclosure range means that you can easily adapt the enclosure to the specific requirements of each application.

**Mounting plates**

Mounting plates, with and without hole patterns, for longitudinal and transverse mounting of DIN mounting rails or components directly onto the mounting plate.

### General ordering data

Type	KTB MOPL 3555 MSZN	Version	
Order No.	<a href="#">2715560000</a>	Klippon TB (Terminal Box), Mounting plate, Height: 295 mm, Width: 489 mm, Depth: 1.5 mm, Material: Sheet steel, galvanized, silver	
GTIN (EAN)	4064675047469		
Qty.	1 ST		
Type	KTB MOPL 3555 MSZN H	Version	
Order No.	<a href="#">2716090000</a>	Klippon TB (Terminal Box), Mounting plate, prepunched, Height: 295 mm, Width: 489 mm, Depth: 1.5 mm, Material: Sheet steel, galvanized, silver	
GTIN (EAN)	4064675047476		
Qty.	1 ST		

**KTB MH 355520 S4E1**

**Weidmüller Interface GmbH & Co. KG**  
 Klingenbergstraße 26  
 D-32758 Detmold  
 Germany

www.weidmueller.com

**Accessories**

**Installation material**



Integrate, expand and customise - the perfect supplement to every application

The fully structured range of system accessories for the new Klippon® TB enclosure series allows you to easily adapt the enclosures to meet the specific requirements of every application.

**Mounting hardware kits**

Mounting hardware kits are available for quick and easy installation of type label holders, document holders and rain hoods.

The label fastening set – SD is required to install a plastic (Trafolyte) ID or type label. With the aid of this set can you mount the ID or type label directly on the enclosure cover. The label fastening set has been specially developed for this purpose. Only by using this fastening set can you ensure that there will be no leaks into the enclosure or damage to the label.

The universal fastening set – TPSD has been developed to enable secure and quick installation of type label holders, rain covers or document holders, for example. By using this fastening set, the risk of leaks can be minimised, if not avoided.

**General ordering data**

Type	FKSC M6X8 D9/SW3	Version	
Order No.	<a href="#">0642600000</a>	Klippon TB (Terminal Box), Mounting screw, Material: Steel	
GTIN (EAN)	4008190058258		
Qty.	50 ST		

**Gland plates with earthing studs**



Integrate, expand and customise: The ideal expansion for every application

The consistent structure of accessories for the new Klippon® TB enclosure range means that you can easily adapt the enclosure to the specific requirements of each application.

**Flange plates**

Flange plates in two thicknesses, for easy replacement of pre-assembl

**General ordering data**

Type	KTB GP 35XX20 CD S4 PE	Version	
Order No.	<a href="#">8000114906</a>		
GTIN (EAN)	4099986797475		
Qty.	1 ST		

## KTB MH 355520 S4E1

**Weidmüller Interface GmbH & Co. KG**  
 Klingenbergstraße 26  
 D-32758 Detmold  
 Germany

## Accessories

www.weidmueller.com

### Gland plates without earthing studs



Integrate, expand and customise: The ideal expansion for every application

The consistent structure of accessories for the new Klippon® TB enclosure range means that you can easily adapt the enclosure to the specific requirements of each application.

Flange plates

Flange plates in two thicknesses, for easy replacement of pre-assembl

### General ordering data

Type	KTB GP 35XX20 CD S4 3MM	Version
Order No.	<a href="#">8000112979</a>	
GTIN (EAN)	4099986799219	
Qty.	1 ST	
Type	KTB GP 55XX20 CD S4 3MM	Version
Order No.	<a href="#">1281180000</a>	Klippon TB (Terminal Box), flange plate, straight, Height: 494 mm,
GTIN (EAN)	4050118071559	Width: 167 mm, Depth: 3 mm, Gland plates: left, right, Material:
Qty.	1 ST	Stainless steel 1.4404, electropolished, silver