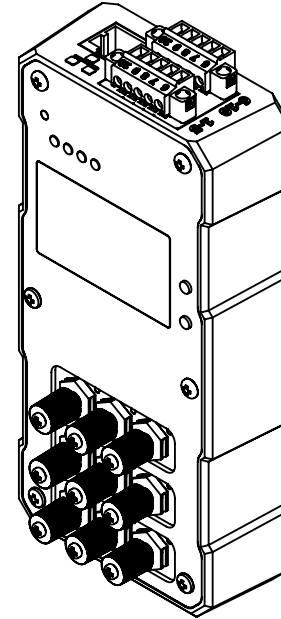
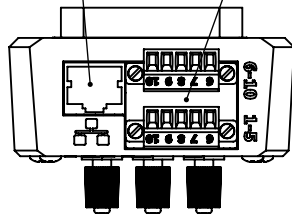


2

1

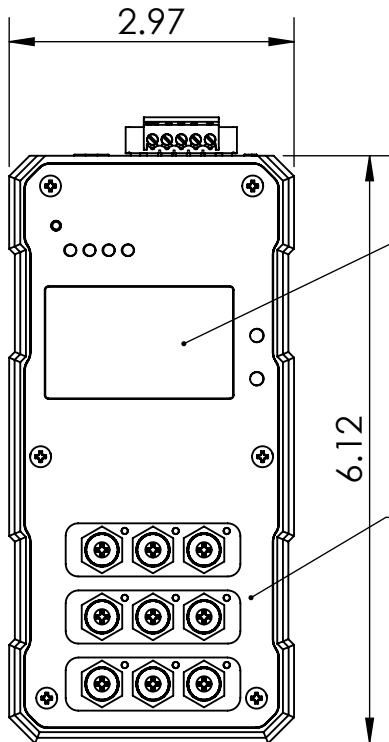
RJ45 Ethernet Communication

Power, (NO) Relay, and Modbus communication



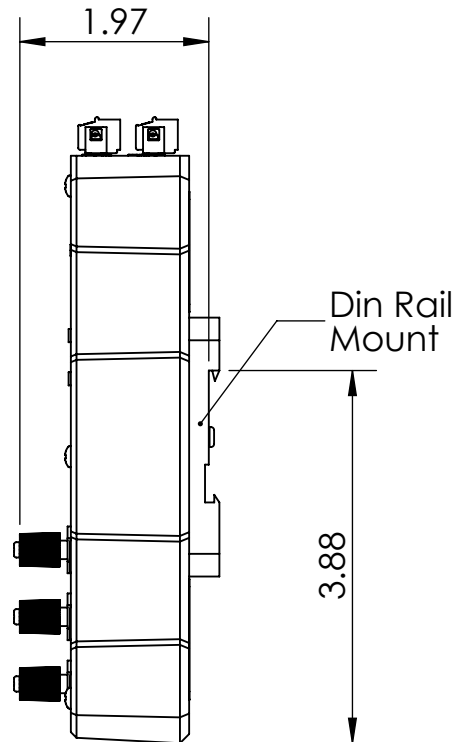
B

B



Display screen

9 Point fiber connection



Din Rail Mount

A

A

PROPRIETARY AND CONFIDENTIAL
 THE INFORMATION CONTAINED IN THIS DRAWING IS THE SOLE PROPERTY OF <COMPANY NAME>. ANY REPRODUCTION IN PART OR AS A WHOLE WITHOUT THE WRITTEN PERMISSION OF <COMPANY NAME> IS PROHIBITED.

		DIMENSIONS ARE IN INCHES TOLERANCES: FRACTIONAL ANGULAR: MACH BEND TWO PLACE DECIMAL THREE PLACE DECIMAL		NAME	DATE
		MATERIAL See Part Drawings		DRAWN	
		FINISH		CHECKED	
NEXT ASSY	USED ON			ENG APPR.	
APPLICATION		DO NOT SCALE DRAWING		MFG APPR.	
				Q.A.	
				COMMENTS:	
				SIZE	DWG. NO.
				A	HSM_assembly
				SCALE:1:2	WEIGHT: 6.54
				REV.	
				SHEET 1 OF 1	

2

1