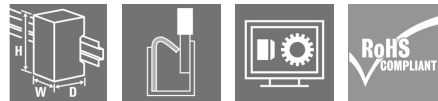


**UR20-4AI-UI-DIF-16-DIAG**

**Weidmüller Interface GmbH & Co. KG**  
 Klingenbergstraße 26  
 D-32758 Detmold  
 Germany

www.weidmueller.com

**Product image**



**Inputs can be parameterised; up to 3-wire + FE; accuracy 0.1% FSR**

Analogue input modules of the u-remote system are available in many variants with different resolutions and wiring solutions.

Variants are available with 12- and 16-bit resolution, which record up to 4 analogue sensors with +/-10 V, +/-5 V, 0...10 V, 0...5 V, 2...10 V, 1...5 V, 0...20 mA or 4...20 mA with maximum accuracy. Each plug-in connector can optionally connect sensors with 2- or 3-wire technology. The parameters for the measurement range can be individually set for each channel. In addition, each channel has its own status LED. A special variant for Weidmüller interface units enables current measurements with 16-bit resolution and maximum accuracy for 8 sensors at a time (0...20 mA or 4...20 mA).

The module electronics supply the connected sensors with power from the input current path ( $U_{IN}$ ).

**General ordering data**

Version	Remote I/O module, IP20, 4-channel, Analog signals, Input, Current/Voltage, 16 Bit
Order No.	<a href="#">1993880000</a>
Type	UR20-4AI-UI-DIF-16-DIAG
GTIN (EAN)	4050118378894
Qty.	1 Stück
Replacement parts	<a href="#">1350930000</a> <a href="#">2446190000</a> <a href="#">2446200000</a>

## UR20-4AI-UI-DIF-16-DIAG

**Weidmüller Interface GmbH & Co. KG**  
 Klingenbergstraße 26  
 D-32758 Detmold  
 Germany

www.weidmueller.com

## Technische Daten

### Dimensions and weights

Depth	76 mm	Depth (inches)	2,992 inch
Height	120 mm	Height (inches)	4,724 inch
Width	11,5 mm	Width (inches)	0,453 inch
Net weight	90 g		

### Temperatures

Storage temperature	-40 °C ... +85 °C	Operating temperature	-20 °C ... +60 °C
---------------------	-------------------	-----------------------	-------------------

### analogue inputs

Accuracy	0.1% FSR		
Common mode range	min.	-30 V	
	max.	30 V	
Conversion time	1 ms		
Individual channel diagnosis	Yes		
Input type	Differential input		
Input value	Voltage U (0...5 V, ±5 V, 0...10 V, ±10 V, 1...5 V, 2...10 V), Current I (0...20 mA, 4...20 mA)		
Internal resistance I	18 Ω		
Internal resistance U	100 kΩ		
Module diagnosis	Yes		
Number of analogue inputs	4		
Resolution	16 Bit		
Reverse polarity protection	Yes		
Sensor connection	2-wire, 3-wire, 4-wire		
Sensor supply	Yes		
Sensor supply	nominal	500	
	min.	0	
	max.	500 mA	
Short-circuit-proof	Yes		

### Connection data

Type of connection	PUSH IN	Wire connection cross section, finely stranded, max.	1,5 mm <sup>2</sup>
Wire connection cross section, finely stranded, min.	0,14 mm <sup>2</sup>	Wire cross-section, finely stranded, max. (AWG)	AWG 16
Wire cross-section, finely stranded, min. (AWG)	AWG 26	Wire cross-section, solid, max.	1,5 mm <sup>2</sup>
Wire cross-section, solid, max. (AWG)	AWG 16	Wire cross-section, solid, min.	0,14 mm <sup>2</sup>
Wire cross-section, solid, min. (AWG)	AWG 26		

## UR20-4AI-UI-DIF-16-DIAG

**Weidmüller Interface GmbH & Co. KG**  
 Klingenbergstraße 26  
 D-32758 Detmold  
 Germany

www.weidmueller.com

## Technische Daten

### General data

Air humidity (operation)	10% to 95%, non-condensing as per DIN EN 61131-2	Air humidity (storage)	10% to 95%, non-condensing as per DIN EN 61131-2
Air humidity (transport)	10% to 95%, non-condensing as per DIN EN 61131-2	Air pressure (operation)	≥ 795 hPa (height ≤ 2000 m) as per DIN EN 61131-2
Air pressure (storage)	1013 hPa (height 0 m) to 700 hPa (height 3000 m) as per DIN EN 61131-2	Air pressure (transport)	1013 hPa (height 0 m) to 700 hPa (height 3000 m) as per DIN EN 61131-2
Pollution severity	2	Rail	TS 35
Shock	15 g over 11 ms, half sinus wave, acc. to IEC 60068-2-27	Surge voltage category	II
Test voltage	500 V	UL 94 flammability rating	V-0
Vibration resistance	5 Hz ≤ f ≤ 8.4 Hz: 3.5-mm amplitude as per IEC 60068-2-6, 8.4 Hz ≤ f ≤ 150 Hz: 1 g acceleration as per IEC 60068-2-6		

### Power supply

Current consumption from I <sub>IN</sub> (the respective power segment)	33 mA + load	Current consumption from I <sub>sys</sub> , typ.	8 mA
Reverse polarity protection	Yes	Voltage supply	24 V DC +20 %/ -15 %, via the system bus

### System data

Diagnostic data	1 Bit	Field bus protocol	PROFINET IRT, PROFINET RT, PROFIBUS DP-V1, EtherCAT, Modbus/TCP, EtherNet/IP, CANopen, DeviceNet, POWERLINK, CC-Link, CC-Link IE TSN, IEC 61162-450
Galvanic isolation	500 V DC between the current paths	Interface	u-remote system bus
Module type	Analogue input module	Transmission speed of system bus, max.	48 Mbit

### Classifications

ETIM 6.0	EC001596	ETIM 7.0	EC001596
ETIM 8.0	EC001596	ETIM 9.0	EC001596
ECLASS 9.0	27-24-26-01	ECLASS 9.1	27-24-26-01
ECLASS 10.0	27-24-26-01	ECLASS 11.0	27-24-26-01
ECLASS 12.0	27-24-26-01	ECLASS 13.0	27-24-26-01

### Environmental Product Compliance

REACH SVHC	Lead 7439-92-1
SCIP	82327f13-cd27-455a-ab5b-a62e1996dcf8

## UR20-4AI-UI-DIF-16-DIAG

**Weidmüller Interface GmbH & Co. KG**  
 Klingenbergstraße 26  
 D-32758 Detmold  
 Germany

www.weidmueller.com

## Technische Daten

### Approvals

Approvals



ROHS	Conform
UL File Number Search	UL Website
Certificate no. (cULus)	E141197
Certificate no. (cULusEX)	E223527

### Downloads

Approval/Certificate/Document of Conformity	<a href="#">KC certificate</a> <a href="#">Compass safe distance certificate</a> <a href="#">Lloyds Register certificate</a> <a href="#">DNV/GL certificate</a> <a href="#">ABS certificate</a> <a href="#">RINA certificate</a> <a href="#">Bureau Veritas - Type Approval Certificate</a> <a href="#">PRS (Polish Register of Shipping)</a> <a href="#">NIPPON KAIJI KYOKAI Certificate</a> <a href="#">DEMKO 15ATEX1525X</a> <a href="#">CCC certificate</a> <a href="#">UKCA Declaration of Conformity - EN</a> <a href="#">CE Declaration of Conformity - DE</a>
Engineering Data	<a href="#">CAD data – STEP</a> <a href="#">Compatibility information – Combinability of UR20</a>
Product Change Notification	<a href="#">Release-Notes - Firmware</a>
Software	<a href="#">Firmware – Current firmware UR20-4AI-UI-DIF-16-DIAG</a> <a href="#">Firmware – Archive firmware UR20-4AI-UI-DIF-16-DIAG</a>
User Documentation	<a href="#">MAN_U-REMOTE_DE</a> <a href="#">MAN_U-REMOTE_EN</a>
Catalogues	<a href="#">Catalogues in PDF-format</a>

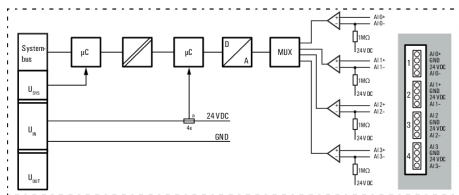
**UR20-4AI-UI-DIF-16-DIAG**

**Weidmüller Interface GmbH & Co. KG**  
 Klingenbergstraße 26  
 D-32758 Detmold  
 Germany

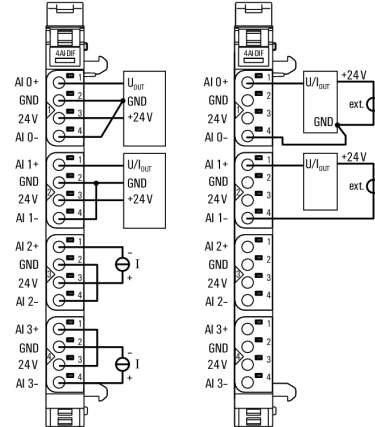
www.weidmueller.com

**Zeichnungen**

**Block diagram**

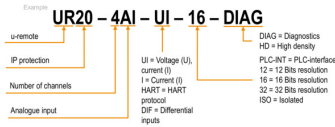


**Connection diagram**



**Explanation of abbreviations**

**Analogue input modules**



## UR20-4AI-UI-DIF-16-DIAG

**Weidmüller Interface GmbH & Co. KG**  
 Klingenbergstraße 26  
 D-32758 Detmold  
 Germany

www.weidmueller.com

## Accessories

### Stainless steel



Stainless steel is a collective term for all types of steel (alloys) with a high degree of purity and corrosion resistance.

### General ordering data

Type	TS 35X7.5 2M/CRN	Version
Order No.	<a href="#">1747350000</a>	Terminal rail, without slot, Accessories, 35 x 7.5 x 2000 mm,
GTIN (EAN)	4032248003372	Stainless steel, rust-proof, Stainless steel 1.4301, untreated
Qty.	2 m	

### Blank



### General ordering data

Type	PM 2.7/2.6 MC NE WS	Version
Order No.	<a href="#">1323710000</a>	OMNIMATE Signal - series PM, Pusher markers, 2.7 x 2.6 mm, Pitch in
GTIN (EAN)	4050118126778	mm (P): 3.50 Weidmueller, white
Qty.	960 Stück	

## UR20-4AI-UI-DIF-16-DIAG

**Weidmüller Interface GmbH & Co. KG**  
 Klingenbergstraße 26  
 D-32758 Detmold  
 Germany

www.weidmueller.com

## Accessories

### Steel



Steel DIN rails are the most widespread on the market. Among metal DIN rails, they have the lowest shortcircuit protection, similar to stainless steel.

### General ordering data

Type	TS 35X7.5/LL 2M/ST/SZ	Version
Order No.	<a href="#">7915060000</a>	Terminal rail, with slot, Accessories, 35 x 7.5 x 2000 mm, Slit width:
GTIN (EAN)	4032248296279	5.20 mm, Slit length: 25.00 mm, Steel, galvanic zinc plated and
Qty.	2 m	passivated
Type	TS 35X7.5/LL 1M/ST/ZN	Version
Order No.	<a href="#">0514510000</a>	Terminal rail, with slot, Accessories, 35 x 7.5 x 1000 mm, Slit width:
GTIN (EAN)	4008190116620	5.20 mm, Slit length: 25.00 mm, Steel, galvanic zinc plated and
Qty.	1 m	passivated
Type	TS 35X7.5/LL 2M/ST/ZN	Version
Order No.	<a href="#">0514500000</a>	Terminal rail, with slot, Accessories, 35 x 7.5 x 2000 mm, Slit width:
GTIN (EAN)	4008190046019	5.20 mm, Slit length: 25.00 mm, Steel, galvanic zinc plated and
Qty.	2 m	passivated
Type	TS 35X7.5 2M/ST/ZN	Version
Order No.	<a href="#">0383400000</a>	Terminal rail, without slot, Accessories, 35 x 7.5 x 2000 mm, Steel,
GTIN (EAN)	4008190088026	galvanic zinc plated and passivated
Qty.	2 m	

## UR20-4AI-UI-DIF-16-DIAG

**Weidmüller Interface GmbH & Co. KG**  
 Klingenbergstraße 26  
 D-32758 Detmold  
 Germany

www.weidmueller.com

## Accessories

### Custom printing



The Dekafix (DEK) marker is the universal marker for all conductor and plug-in connectors as well as for electronic sub-assemblies. The system is ideal for short number sequences and covers a wide range of ready-printed markers.

Strips for fast installation in only one work step. The printing is easy to read, rich in contrast and available in various widths.

- Large range of ready-to-use markers
- Strips for fast installation
- Terminal markers, suitable for all Weidmüller cable connectors
- Available as blank MultiCard or with standard printing

**For custom printing:** Please send us a file of our labeling software M-Print PRO or M-Print PRO Online (without installation) for your labeling specifications.

### General ordering data

Type	DEK 5/8-11.5 MC SDR	Version	
Order No.	<a href="#">1341610000</a>		Dekafix, Terminal marker, 5 x 8 mm, Pitch in mm (P): 8.00
GTIN (EAN)	4050118146059		Weidmueller, To customer specification
Qty.	100 Stück		

### Blank



The Dekafix (DEK) marker is the universal marker for all conductor and plug-in connectors as well as for electronic sub-assemblies. The system is ideal for short number sequences and covers a wide range of ready-printed markers.

Strips for fast installation in only one work step. The printing is easy to read, rich in contrast and available in various widths.

- Large range of ready-to-use markers
- Strips for fast installation
- Terminal markers, suitable for all Weidmüller cable connectors
- Available as blank MultiCard or with standard printing

**For custom printing:** Please send us a file of our labeling software M-Print PRO or M-Print PRO Online (without installation) for your labeling specifications.

### General ordering data

Type	DEK 5/8-11.5 MC NE WS	Version	
Order No.	<a href="#">1341630000</a>		Dekafix, Terminal marker, 5 x 8 mm, Pitch in mm (P): 8.00
GTIN (EAN)	4050118145946		Weidmueller, white
Qty.	500 Stück		



## UR20-4AI-UI-DIF-16-DIAG

**Weidmüller Interface GmbH & Co. KG**  
 Klingenbergstraße 26  
 D-32758 Detmold  
 Germany

[www.weidmueller.com](http://www.weidmueller.com)

## Accessories

### Aluminum

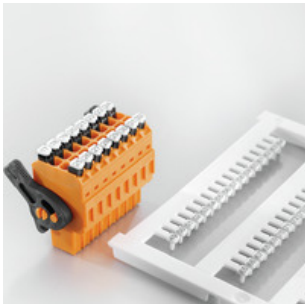


Aluminum has the second best electrical conductivity after copper. One advantage is low weight, another is outstanding corrosion protection.

### General ordering data

Type	TS 35X7.5 2M/AL/BK	Version
Order No.	<a href="#">033080000</a>	Terminal rail, without slot, Accessories, 35 x 7.5 x 2000 mm,
GTIN (EAN)	4008190100650	Aluminium, untreated
Qty.	2 m	

### Custom printing



### General ordering data

Type	PM 2.7/2.6 MC SDR	Version
Order No.	<a href="#">132370000</a>	OMNIMATE Signal - series PM, Pusher markers, 2.7 x 2.6 mm, Pitch in
GTIN (EAN)	4050118126761	mm (P): 3.50 Weidmueller, To customer specification
Qty.	192 Stück	

## UR20-4AI-UI-DIF-16-DIAG

**Weidmüller Interface GmbH & Co. KG**  
 Klingenbergstraße 26  
 D-32758 Detmold  
 Germany

www.weidmueller.com

## Accessories

### Accessories



#### System accessory

Discover a wide range of accessories for your u-remote system - the ideal addition to make your applications even more efficient and flexible.

### General ordering data

Type	UR20-EBK-ACC	Version
Order No.	<a href="#">1346610000</a>	End bracket, ,
GTIN (EAN)	4050118151596	
Qty.	5 Stück	
Type	UR20-SM-ACC	Version
Order No.	<a href="#">1339920000</a>	Cover, ,
GTIN (EAN)	4050118144727	
Qty.	20 Stück	

## UR20-4AI-UI-DIF-16-DIAG

**Weidmüller Interface GmbH & Co. KG**  
Klingenbergstraße 26  
D-32758 Detmold  
Germany

[www.weidmueller.com](http://www.weidmueller.com)

## Replacement parts

### Electronic modules



#### General ordering data

Type	UR20-EM-1993880000-SP	Version
Order No.	<a href="#">2446190000</a>	Replacement part
GTIN (EAN)	4050118459562	
Qty.	1 Stück	

### Plugkit



#### General ordering data

Type	UR20-PK-1993880000-SP	Version
Order No.	<a href="#">2446200000</a>	Replacement part
GTIN (EAN)	4050118459579	
Qty.	5 Stück	

## UR20-4AI-UI-DIF-16-DIAG

**Weidmüller Interface GmbH & Co. KG**  
Klingenbergstraße 26  
D-32758 Detmold  
Germany

[www.weidmueller.com](http://www.weidmueller.com)

## Replacement parts

### Basic modules



### General ordering data

Type	UR20-BM-SP	Version	Packaging
Order No.	<a href="#">1350930000</a>	Replacement part , Flange-mounted housing	Cardboard
GTIN (EAN)	4050118402735		box
Qty.	5 Stück		