

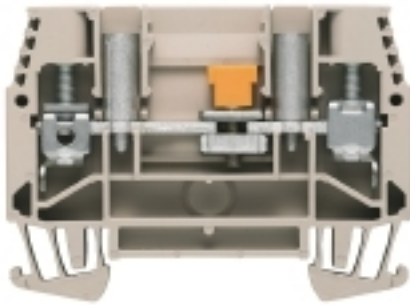
**WTL 6/1/STB****Weidmüller Interface GmbH & Co. KG**

Klingenbergstraße 26

D-32758 Detmold

Germany

www.weidmueller.com

**Product image****Current and voltage transformer wiring**

Our test disconnect terminal blocks featuring spring and screw connection technology allow you to create all the important converter circuits for measuring current, voltage and power in a safe and sophisticated way.

**General ordering data**

Version	Test-disconnect terminal, Screw connection, dark beige, 6 mm <sup>2</sup> , 41 A, 630 V, Number of connections: 2, Number of levels: 1, TS 35, V-0, Wemid
Order No.	<a href="#">1016900000</a>
Type	WTL 6/1/STB
GTIN (EAN)	4008190029715
Qty.	50 pc(s).

## WTL 6/1/STB

Weidmüller Interface GmbH &amp; Co. KG

Klingenbergstraße 26

D-32758 Detmold

Germany

www.weidmueller.com

## Technical data

## Dimensions and weights

Depth	47.5 mm	Depth (inches)	1.87 inch
Depth including DIN rail	48.5 mm	Height	65 mm
Height (inches)	2.559 inch	Width	7.9 mm
Width (inches)	0.311 inch	Net weight	23.92 g

## Temperatures

Storage temperature	-25 °C...55 °C	Continuous operating temp., min.	-50 °C
Continuous operating temp., max.	120 °C		

## Material data

Material	Wemid	Colour	dark beige
UL 94 flammability rating	V-0		

## System specifications

Version	Screw connection, Spacer, With sockets, One end without connector	End cover plate required	Yes
Number of potentials	1	Number of levels	1
Number of clamping points per level	2	Number of potentials per tier	1
Levels cross-connected internally	No	PE connection	No
Rail	TS 35	N-function	No
PE function	No	PEN function	No

## 2 clampable conductors (H05V/H07V) with equal cross-section (rated connection)

Wire connection cross section, finely stranded with wire-end ferrules DIN 46228/1, 2 clampable wires, max.	2.5 mm <sup>2</sup>	Wire connection cross section, finely stranded with wire-end ferrules DIN 46228/1, 2 clampable wires, min.	0.5 mm <sup>2</sup>
Wire connection cross section, finely stranded, two clampable wires, min.	0.5 mm <sup>2</sup>	Wire cross-section, finely stranded, two clampable wires, max.	2.5 mm <sup>2</sup>

## Additional technical data

Explosion-tested version	No	Number of similar terminals	1
Open sides	right	Type of mounting	Snap-on

## CSA rating data

Certificate No. (CSA)	200039-1057876	Current size C (CSA)	45 A
Voltage size C (CSA)	600 V	Wire cross section max. (CSA)	8 AWG
Wire cross section min. (CSA)	20 AWG		

## WTL 6/1/STB

Weidmüller Interface GmbH &amp; Co. KG

Klingenbergstraße 26

D-32758 Detmold

Germany

www.weidmueller.com

## Technical data

## Conductors for clamping (rated connection)

Blade size	0.8 x 4.0 mm	Clamping range, max.	10 mm <sup>2</sup>
Clamping range, min.	0.5 mm <sup>2</sup>	Clamping screw	M 3.5
Connection cross-section, stranded, max.	10 mm <sup>2</sup>	Connection cross-section, stranded, min.	1.5 mm <sup>2</sup>
Connection direction	on side	Gauge to IEC 60947-1	A5
Number of connections	2	Stripping length	12 mm
Tightening torque, max.	1.6 Nm	Tightening torque, min.	1 Nm
Torque level with DMS electric screwdriver	3	Type of connection	Screw connection
Wire connection cross section AWG, max.	AWG 8	Wire connection cross section AWG, min.	AWG 20
Wire connection cross section, finely stranded, max.	10 mm <sup>2</sup>	Wire connection cross section, finely stranded, min.	0.5 mm <sup>2</sup>
Wire connection cross-section, finely stranded with wire-end ferrules DIN 46228/1, max.	6 mm <sup>2</sup>	Wire connection cross-section, finely stranded with wire-end ferrules DIN 46228/1, min.	0.5 mm <sup>2</sup>
Wire connection cross-section, finely stranded with wire-end ferrules DIN 46228/4, max.	6 mm <sup>2</sup>	Wire connection cross-section, finely stranded with wire-end ferrules DIN 46228/4, min.	0.5 mm <sup>2</sup>
Wire connection cross-section, solid core, max.	10 mm <sup>2</sup>	Wire connection cross-section, solid core, min.	0.5 mm <sup>2</sup>

## Dimensions

TS 35 offset	30 mm
--------------	-------

## Disconnect terminals

Cross-disconnect	without	Integral test socket	Yes
Slitting	sliding	Torque max. screw separator	0.7 Nm
Torque min. screw separator	0.5 Nm		

## General

Rail	TS 35	Wire connection cross section AWG, max.	AWG 8
Wire connection cross section AWG, min.	AWG 20		

## Rating data

Rated cross-section	6 mm <sup>2</sup>	Rated voltage	630 V
Rated DC voltage	630 V	Rated current	41 A
Current at maximum wires	57 A	Volume resistance according to IEC 60947-7-x	0.78 mΩ
Rated impulse withstand voltage	6 kV	Power loss in accordance with IEC 60947-7-x	1.31 W
Pollution severity	3		

## UL rating data

Certificate No. (UR)	E60693	Conductor size Factory wiring max. (UR)	8 AWG
Conductor size Factory wiring min. (UR)	20 AWG	Conductor size Field wiring max. (UR)	8 AWG
Conductor size Field wiring min. (UR)	20 AWG	Current size C (UR)	45 A
Voltage size C (UR)	300 V		

Creation date July 18, 2024 5:03:13 AM CEST

Catalogue status 13.07.2024 / We reserve the right to make technical changes.

3

## WTL 6/1/STB

**Weidmüller Interface GmbH & Co. KG**  
 Klingenbergstraße 26  
 D-32758 Detmold  
 Germany

www.weidmueller.com

## Technical data

## Classifications

ETIM 6.0	EC000902	ETIM 7.0	EC000902
ETIM 8.0	EC000902	ETIM 9.0	EC000902
ECLASS 9.0	27-14-11-26	ECLASS 9.1	27-14-11-26
ECLASS 10.0	27-14-11-26	ECLASS 11.0	27-14-11-26
ECLASS 12.0	27-14-11-26	ECLASS 13.0	27-25-01-09

## Environmental Product Compliance

REACH SVHC	Lead 7439-92-1
SCIP	0eb7d846-d0a1-43e5-93a4-d7c6856c4cda
RoHS Compliance Status	Compliant with exemption
RoHS Exemption (if applicable/known)	6c

## Approvals

Approvals



ROHS	Conform
UL File Number Search	UL Website
Certificate No. (UR)	E60693

## Downloads

Approval/Certificate/Document of Conformity	<a href="#">CB Test Certificate</a> <a href="#">CB Certificate</a> <a href="#">CE Declaration of Conformity</a> <a href="#">UKCA declaration of conformity</a> <a href="#">Confirmation of Standards EN 45545-2_2020-10</a>
Engineering Data	<a href="#">CAD data – STEP</a>
Engineering Data	<a href="#">Zuken E3.S</a>
User Documentation	<a href="#">StorageConditionsTerminalBlocks</a>
Catalogues	<a href="#">Catalogues in PDF-format</a>

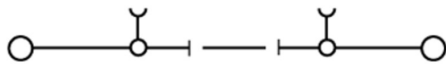
**Data sheet**

**WTL 6/1/STB**

**Weidmüller Interface GmbH & Co. KG**  
Klingenbergstraße 26  
D-32758 Detmold  
Germany

[www.weidmueller.com](http://www.weidmueller.com)

**Drawings**



## WTL 6/1/STB

**Weidmüller Interface GmbH & Co. KG**  
 Klingenbergstraße 26  
 D-32758 Detmold  
 Germany

www.weidmueller.com

# Accessories

## Marker holder



The marker holder offer the possibility of additional mounting of standard markers with a pitch of 5 or 5.1 mm. The angled holders can be optionally snapped together and could be mounted in all standard marking channels of the Klippon® Connect modular terminal blocks. Fitting marker types could be found under the respective accessories of the designation marking holder.

### General ordering data

Type	BZT 1 ZA WS 10/5	Version
Order No.	<a href="#">1805520000</a>	Accessories, Marker holder
GTIN (EAN)	4032248270248	
Qty.	100 pc(s).	
Type	BZT 1 WS 10/5	Version
Order No.	<a href="#">1805490000</a>	Accessories, Marker holder
GTIN (EAN)	4032248270231	
Qty.	100 pc(s).	

## QL / SAK 6N



Screwable cross-connections are easy to mount and de mount. Thanks to the big contact surface, even high currents can be transmitted with maximum contact reliability.

### General ordering data

Type	QL 10 SAK6N	Version
Order No.	<a href="#">0338300000</a>	Cross-connector (terminal), when screwed in, grey, 41 A, Number of poles: 10, Pitch in mm (P): 7.90, Insulated: No, Width: 77.1 mm
GTIN (EAN)	4008190176679	
Qty.	20 pc(s).	
Type	QL 4 SAK6N	Version
Order No.	<a href="#">0194500000</a>	Cross-connector (terminal), when screwed in, grey, 57 A, Number of poles: 4, Pitch in mm (P): 7.90, Insulated: No, Width: 29.7 mm
GTIN (EAN)	4008190025601	
Qty.	50 pc(s).	
Type	QL 2 SAK6N	Version
Order No.	<a href="#">0194300000</a>	Cross-connector (terminal), when screwed in, grey, 41 A, Number of poles: 2, Pitch in mm (P): 7.90, Insulated: No, Width: 13.9 mm
GTIN (EAN)	4008190182854	
Qty.	50 pc(s).	
Type	QL 3 SAK6N	Version
Order No.	<a href="#">0194400000</a>	Cross-connector (terminal), when screwed in, grey, 41 A, Number of poles: 3, Pitch in mm (P): 7.90, Insulated: No, Width: 21.8 mm
GTIN (EAN)	4008190063351	
Qty.	50 pc(s).	

## WTL 6/1/STB

**Weidmüller Interface GmbH & Co. KG**  
 Klingenbergstraße 26  
 D-32758 Detmold  
 Germany

www.weidmueller.com

## Accessories

## Test sockets



The test socket is used to connect test devices with a standard 4.0 plug. Depending on the potential within the application, different colors of the test sockets can be selected for quick and easy maintenance work.

## General ordering data

Type	STB 35 IH/SW	Version
Order No.	<a href="#">038850000</a>	Socket (terminal), Plug-in depth: 8 mm, Depth: 37.5 mm
GTIN (EAN)	4008190089726	
Qty.	50 pc(s).	
Type	STB 30.5 IH/BL	Version
Order No.	<a href="#">034120000</a>	Socket (terminal), Plug-in depth: 10 mm, Depth: 31.7 mm
GTIN (EAN)	4008190044077	
Qty.	50 pc(s).	
Type	STB 25 IH/SW	Version
Order No.	<a href="#">027150000</a>	Socket (terminal), Plug-in depth: 13 mm, Depth: 30 mm
GTIN (EAN)	4008190030162	
Qty.	50 pc(s).	
Type	STB 25 IH/GR	Version
Order No.	<a href="#">027140000</a>	Socket (terminal), Plug-in depth: 13 mm, Depth: 30 mm
GTIN (EAN)	4008190029692	
Qty.	50 pc(s).	
Type	STB 35 IH/GR	Version
Order No.	<a href="#">038860000</a>	Socket (terminal), Plug-in depth: 8 mm, Depth: 37.5 mm
GTIN (EAN)	4008190140656	
Qty.	50 pc(s).	
Type	STB 35 IH/GN	Version
Order No.	<a href="#">038890000</a>	Socket (terminal), Plug-in depth: 8 mm, Depth: 37.5 mm
GTIN (EAN)	4008190010409	
Qty.	50 pc(s).	
Type	STB 35 IH/RT	Version
Order No.	<a href="#">038880000</a>	Socket (terminal), Plug-in depth: 8 mm, Depth: 37.5 mm
GTIN (EAN)	4008190177485	
Qty.	50 pc(s).	
Type	STB 25 IH/GN	Version
Order No.	<a href="#">027120000</a>	Socket (terminal), Plug-in depth: 13 mm, Depth: 30.5 mm
GTIN (EAN)	4008190155889	
Qty.	50 pc(s).	
Type	STB 25 IH/GE	Version
Order No.	<a href="#">026720000</a>	Socket (terminal), Plug-in depth: 13 mm, Depth: 30 mm
GTIN (EAN)	4008190002862	
Qty.	50 pc(s).	
Type	STB 35 IH/VI	Version
Order No.	<a href="#">038910000</a>	Socket (terminal), Plug-in depth: 8 mm, Depth: 37.5 mm
GTIN (EAN)	4008190137755	
Qty.	50 pc(s).	

Creation date July 18, 2024 5:03:13 AM CEST

## WTL 6/1/STB

**Weidmüller Interface GmbH & Co. KG**  
 Klingenbergstraße 26  
 D-32758 Detmold  
 Germany

www.weidmueller.com

## Accessories

Type	STB 35 IH/BL	Version
Order No.	<a href="#">0388700000</a>	Socket (terminal), Plug-in depth: 8 mm, Depth: 37.5 mm
GTIN (EAN)	4008190082383	
Qty.	50 pc(s).	
Type	STB 30.5 IH/VI	Version
Order No.	<a href="#">0341600000</a>	Socket (terminal), Plug-in depth: 10 mm, Depth: 31.7 mm
GTIN (EAN)	4008190026035	
Qty.	50 pc(s).	
Type	STB 35 IH/GE	Version
Order No.	<a href="#">0389000000</a>	Socket (terminal), Plug-in depth: 8 mm, Depth: 37.5 mm
GTIN (EAN)	4008190396985	
Qty.	50 pc(s).	
Type	STB 25 IH/RT	Version
Order No.	<a href="#">0343300000</a>	Socket (terminal), Plug-in depth: 13 mm, Depth: 30.5 mm
GTIN (EAN)	4008190034115	
Qty.	50 pc(s).	
Type	STB 30.5 IH/GR	Version
Order No.	<a href="#">0341100000</a>	Socket (terminal), Plug-in depth: 10 mm, Depth: 31.7 mm
GTIN (EAN)	4008190083960	
Qty.	50 pc(s).	
Type	STB 25 IH/VI	Version
Order No.	<a href="#">0271300000</a>	Socket (terminal), Plug-in depth: 13 mm, Depth: 30 mm
GTIN (EAN)	4008190111342	
Qty.	50 pc(s).	
Type	STB 30.5 IH/SW	Version
Order No.	<a href="#">0341000000</a>	Socket (terminal), Plug-in depth: 10 mm, Depth: 31.7 mm
GTIN (EAN)	4008190015299	
Qty.	50 pc(s).	
Type	STB 30.5 IH/RT	Version
Order No.	<a href="#">0341300000</a>	Socket (terminal), Plug-in depth: 10 mm, Depth: 31.7 mm
GTIN (EAN)	4008190157852	
Qty.	50 pc(s).	
Type	STB 25 IH/BL	Version
Order No.	<a href="#">0343400000</a>	Socket (terminal), Plug-in depth: 13 mm, Depth: 30.5 mm
GTIN (EAN)	4008190107192	
Qty.	50 pc(s).	
Type	STB 30.5 IH/GN	Version
Order No.	<a href="#">0341400000</a>	Socket (terminal), Plug-in depth: 10 mm, Depth: 31.7 mm
GTIN (EAN)	4008190008093	
Qty.	50 pc(s).	
Type	STB 30.5 IH/GE	Version
Order No.	<a href="#">0341500000</a>	Socket (terminal), Plug-in depth: 10 mm, Depth: 31.7 mm
GTIN (EAN)	4008190130961	
Qty.	50 pc(s).	



## WTL 6/1/STB

**Weidmüller Interface GmbH & Co. KG**  
 Klingenbergstraße 26  
 D-32758 Detmold  
 Germany

www.weidmueller.com

## Accessories

## Switch lock



The switch lock can be easily inserted into the terminal from above. The switch lock prevents unauthorised opening or closing of circuits as it blocks the disconnect lever in its respective position.

## General ordering data

Type	SSP 3 SAKT1	Version
Order No.	<a href="#">0531760000</a>	Lockout device (terminal), orange
GTIN (EAN)	4008190130787	
Qty.	100 pc(s).	

## Fixing screws



Fixing screws fix the short current bridge within the application. If the short current bridge is slided between two adjacent terminal blocks into the short circuit position, it can be fixed by means of a fastening screw. This ensures a permanent connection or short circuit.

## General ordering data

Type	BS 25 IH/RT SAKT1	Version
Order No.	<a href="#">0335500000</a>	Mounting screw (Terminal), Steel, Brass, Depth: 28.7 mm, Width: 5.5 mm, Height: 5.5 mm
GTIN (EAN)	4008190118877	
Qty.	50 pc(s).	
Type	BS 25 IH/GR SAKT1	Version
Order No.	<a href="#">0335300000</a>	Mounting screw (Terminal), Steel, Brass, Depth: 28.7 mm, Width: 5.5 mm, Height: 5.5 mm
GTIN (EAN)	4008190136864	
Qty.	50 pc(s).	
Type	BS 25 O.IH SAKT1	Version
Order No.	<a href="#">0334700000</a>	Mounting screw (Terminal), Brass, Depth: 28.7 mm, Width: 5.5 mm, Height: 5.5 mm
GTIN (EAN)	4008190118839	
Qty.	50 pc(s).	
Type	BS 25 IH/GN SAKT1	Version
Order No.	<a href="#">0335600000</a>	Mounting screw (Terminal), Steel, Brass, Depth: 28.7 mm, Width: 5.5 mm, Height: 5.5 mm
GTIN (EAN)	4008190113490	
Qty.	50 pc(s).	
Type	BS 25 IH/SW SAKT1	Version
Order No.	<a href="#">0335200000</a>	Mounting screw (Terminal), Steel, Brass, Depth: 28.7 mm, Width: 5.5 mm, Height: 5.5 mm
GTIN (EAN)	4008190114039	
Qty.	50 pc(s).	

## WTL 6/1/STB

**Weidmüller Interface GmbH & Co. KG**  
 Klingenbergstraße 26  
 D-32758 Detmold  
 Germany

www.weidmueller.com

## Accessories

Type	BS 25 IH/GE SAKT1	Version
Order No.	<a href="#">0335700000</a>	Mounting screw (Terminal), Steel, Brass, Depth: 28.7 mm, Width: 5.5
GTIN (EAN)	4008190189235	mm, Height: 5.5 mm
Qty.	50 pc(s).	
Type	BS 25 IH/BL SAKT1	Version
Order No.	<a href="#">0335400000</a>	Mounting screw (Terminal), Steel, Brass, Depth: 28.7 mm, Width: 5.5
GTIN (EAN)	4008190086879	mm, Height: 5.5 mm
Qty.	50 pc(s).	
Type	KISC M3X20 SAK 10 CU5	Version
Order No.	<a href="#">0377100000</a>	SAK Series, Mounting screw, Copper
GTIN (EAN)	4008190060350	
Qty.	100 pc(s).	
Type	BS 25 IH/VI SAKT1	Version
Order No.	<a href="#">0335800000</a>	Mounting screw (Terminal), Steel, Brass, Depth: 28.7 mm, Width: 5.5
GTIN (EAN)	4008190039196	mm, Height: 5.5 mm
Qty.	50 pc(s).	

## End plate



### Current and voltage transformer wiring

Our test disconnect terminal blocks featuring spring and screw connection technology allow you to create all the important converter circuits for measuring current, voltage and power in a safe and sophisticated way.

## General ordering data

Type	WAP WTL6/1	Version
Order No.	<a href="#">1068300000</a>	End plate (terminals), dark beige, Height: 65 mm, Width: 1.5 mm, V-0,
GTIN (EAN)	4008190088330	Wemid
Qty.	20 pc(s).	
Type	WTW WTL6/1 DB	Version
Order No.	<a href="#">1068400000</a>	Test adapter (terminal)
GTIN (EAN)	4008190091996	
Qty.	20 pc(s).	

**Accessories**
**Shorting elements**


The short current bridges are inserted into two instrument transformer wiring terminal blocks. By using the short-circuit bridge, the desired short-circuit could be realized within the application for maintenance work.

**General ordering data**

Type	QVS 4 SAKT1+2	Version
Order No.	<a href="#">0307400000</a>	Cross-connector (terminal), when screwed in, beige, 41 A, Number of
GTIN (EAN)	4008190091941	poles: 4, Pitch in mm (P): 12.00, Insulated: Yes, Width: 30 mm
Qty.	20 pc(s).	
Type	QVS 2/4 SAKT4	Version
Order No.	<a href="#">1319260000</a>	Cross-connector (terminal), when screwed in, orange, 32 A, Number
GTIN (EAN)	4008190136512	of poles: 2, Pitch in mm (P): 12.00, Insulated: Yes, Width: 11 mm
Qty.	20 pc(s).	
Type	QVS 3 SAKT1+2	Version
Order No.	<a href="#">0329300000</a>	Cross-connector (terminal), when screwed in, beige, 41 A, Number of
GTIN (EAN)	4008190084714	poles: 3, Pitch in mm (P): 12.00, Insulated: Yes, Width: 22 mm
Qty.	20 pc(s).	
Type	QVS 2 SAKT1+2	Version
Order No.	<a href="#">0307300000</a>	Cross-connector (terminal), when screwed in, beige, 41 A, Number of
GTIN (EAN)	4008190036140	poles: 2, Pitch in mm (P): 12.00, Insulated: Yes, Width: 15.4 mm
Qty.	20 pc(s).	
Type	QVS 2/S SAKT1+2	Version
Order No.	<a href="#">0358460000</a>	Cross-connector (terminal), when screwed in, beige, 41 A, Number of
GTIN (EAN)	4008190157937	poles: 2, Pitch in mm (P): 12.00, Insulated: Yes, Width: 15.4 mm
Qty.	20 pc(s).	
Type	QS 2/8/4	Version
Order No.	<a href="#">0270960000</a>	Cross-connector (terminal), Plugged, beige, 44 A, Number of poles: 2,
GTIN (EAN)	4008190077006	Pitch in mm (P): 8.00, Insulated: Yes, Width: 12 mm
Qty.	20 pc(s).	

**WTL 6/1/STB**

**Weidmüller Interface GmbH & Co. KG**  
 Klingenbergstraße 26  
 D-32758 Detmold  
 Germany

www.weidmueller.com

**Accessories**

**W-Series**

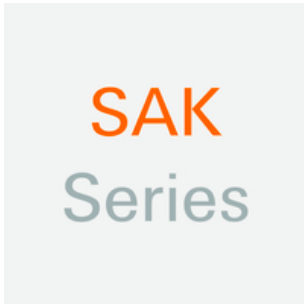


Weidmüller's range of products includes end brackets that guarantee a permanent, reliable mounting on the terminal rail and prevent sliding. Versions with and without screws are available. The end brackets include marking options, also for group markers, and also a test plug holder.

**General ordering data**

Type	WEW 35/2	Version
Order No.	<a href="#">1061200000</a>	End bracket, dark beige, TS 35, HB, Wemid, Width: 8 mm, 100 °C
GTIN (EAN)	4008190030230	
Qty.	50 pc(s).	

**SAK-Series**



A partition plate is used for the optical separation of circuits or used for electrical isolation from neighbouring cross-connectors. In contrast to the end plate, the contour can be larger than the adjacent terminal blocks. However, it should not be smaller, as otherwise the required clearance and creepage distances within the application can no longer be maintained.

**General ordering data**

Type	TSCH 2	Version
Order No.	<a href="#">0353660000</a>	Small partition (terminal), PA 66, beige, Continuous operating temp., max.: 100 °C
GTIN (EAN)	4008190128432	
Qty.	100 pc(s).	

## WTL 6/1/STB

**Weidmüller Interface GmbH & Co. KG**  
 Klingenbergstraße 26  
 D-32758 Detmold  
 Germany

www.weidmueller.com

# Accessories

## DEK 5/8



### WS/ DEK

MultiMark terminal markers use an innovative composite material made from two components. The hard base contour of the marker snaps securely into the connector. The elastic surface finish makes the marker easy to mount. This specially punched material enables the strips to be stretched to accommodate the slight variations in spacing that tend to add up, especially with long terminal blocks. Another advantage: the excellent printability of the surface material guarantees durable and wear-resistant labelling. A print resolution of 300 dpi also produces a very legible script.

#### Your benefits with MultiMark

- Firm hold and durable printing
- Continuous strips save installation time
- Easy mounting thanks to an innovative composite material
- Large label field for optimal legibility
- High flexibility thanks to manufacturer independence

### General ordering data

Type	DEK 5/8 MM WS	Version	
Order No.	<a href="#">2007130000</a>	Version	Dekafix, Terminal marker, 5 x 8 mm, Weidmueller, white
GTIN (EAN)	4050118392012		
Qty.	500 pc(s).		

## Blank



WS markers are the perfect match for the W-series connectors. Thanks to their system compatibility, the WS tags can also be used with the I-series and the Z-series. The large marking surfaces do not only permit long character strings but also multi-line text. WS markers are ideal for labels with long, customised character strings. Thanks to the proven MultiCard format, printing with PrintJet CONNECT oder/or Plotter is possible.

- Can be fitted in strips or individually
- Markers in proven MultiCard format

**For custom printing:** Please send us a file of our labeling software M-Print PRO or M-Print PRO Online (without installation) for your labeling specifications.

### General ordering data

Type	WS 12/8 PLUS MC NE WS	Version	
Order No.	<a href="#">1906000000</a>	Version	WS, Terminal marker, 12 x 8 mm, Pitch in mm (P): 8.00 Weidmueller,
GTIN (EAN)	4032248528158		white
Qty.	420 pc(s).		

**WTL 6/1/STB**

**Weidmüller Interface GmbH & Co. KG**  
 Klingenbergstraße 26  
 D-32758 Detmold  
 Germany

www.weidmueller.com

**Accessories**

**Connection sleeves**



**General ordering data**

Type	VH 12/4.9/3.3	Version
Order No.	<a href="#">0249000000</a>	Connecting sleeve (terminal), when screwed in, Width: 4.9 mm,
GTIN (EAN)	4008190129507	Height: 4.9 mm, Depth: 12 mm, Copper
Qty.	100 pc(s).	
Type	VH 19/6.3/4.3	Version
Order No.	<a href="#">0318000000</a>	Connecting sleeve (terminal), when screwed in, Width: 6 mm, Height:
GTIN (EAN)	4008190059460	6 mm, Depth: 19 mm, Number of poles: 1, Cu Zn
Qty.	50 pc(s).	

**Blank**



The Dekafix (DEK) marker is the universal marker for all conductor and plug-in connectors as well as for electronic sub-assemblies. The system is ideal for short number sequences and covers a wide range of ready-printed markers.

Strips for fast installation in only one work step. The printing is easy to read, rich in contrast and available in various widths.

- Large range of ready-to-use markers
- Strips for fast installation
- Terminal markers, suitable for all Weidmüller cable connectors
- Available as blank MultiCard or with standard printing

**For custom printing:** Please send us a file of our labeling software M-Print PRO or M-Print PRO Online (without installation) for your labeling specifications.

**General ordering data**

Type	DEK 5/8 MC NE WS	Version
Order No.	<a href="#">1856740000</a>	Dekafix, Terminal marker, 5 x 8 mm, Pitch in mm (P): 8.00
GTIN (EAN)	4032248400850	Weidmueller, white
Qty.	800 pc(s).	