

ACT20P-RTI-2AO-S**Weidmüller Interface GmbH & Co. KG**

Klingenbergstraße 26

D-32758 Detmold

Germany

www.weidmueller.com

Similar to illustration**ACT20P: The flexible solution**

- Precise and highly functional signal converters
- Release levers simplify handling

General ordering data

Version	Signal duplicator/isolator, Input : Temperature, PT100, Output : 2 x 0(4) - 20 mA
Order No.	7760054236
Type	ACT20P-RTI-2AO-S
GTIN (EAN)	6944 169696442
Qty.	1 pc(s).

ACT20P-RTI-2AO-S

Weidmüller Interface GmbH & Co. KG

Klingenbergstraße 26

D-32758 Detmold

Germany

www.weidmueller.com

Technical data

Dimensions and weights

Depth	114 mm	Depth (inches)	4.488 inch
Height	117 mm	Height (inches)	4.606 inch
Width	12.5 mm	Width (inches)	0.492 inch
Net weight	115 g		

Temperatures

Storage temperature	-40 °C...85 °C	Operating temperature	-20 °C...60 °C
Humidity	5...95 %, no condensation		

Input

Line resistance in measuring circuit	≤ 50 Ω	Number of inputs	1
Sensor	PT100 (3 wire), Cu50, Cu100	Temperature input range	Configurable, PT100: -200...+850 °C, min. measurement range 10°C (RTD)

Output

Load impedance current	per channel, ≤ 300 Ω	Number of outputs	2
Output current	Adjustable, 2 x 0 (4)...20 mA	Type	active, connected control must be passive
Wire break detection	Yes, Output value: 22 mA		

General data

Accuracy	0.2 °C / 0.1% of end value	Configuration	With free software ACT20P TOOL PACK, Requires configuration adapter 8978580000 CBX200 USB, + 2907490000 ADAPTER CBX200 - MINI USB
Current consumption	<65 mA @ I _{OUT} = 20 mA	Galvanic isolation	between input / output / supply
Power consumption	ca. 1.5 W	Protection degree	IP20
Rail	TS 35	Step response time	≤1s
Temperature coefficient	≤ 100 ppm/K	Voltage supply	24 V DC ± 20 %

Insulation coordination

EMC standards	EN 61326-1	Galvanic isolation	between input / output / supply
Impulse withstand voltage	4 kV (1.2/50 μs)	Insulation voltage	2 kV inputs / outputs / power supply
Pollution severity	2	Rated voltage	300 V
Surge voltage category	III	Test voltage	0.3 kV

Connection data

Type of connection	Screw connection	Tightening torque, max.	0.6 Nm
Clamping range, rated connection	2.5 mm ²	Clamping range, min.	0.5 mm ²
Clamping range, max.	2.5 mm ²	Wire connection cross section AWG, min.	AWG 30
Wire connection cross section AWG, max.	AWG 14		

Creation date June 26, 2024 4:53:00 AM CEST

Data sheet

ACT20P-RTI-2AO-S

Weidmüller Interface GmbH & Co. KG
 Klingenbergstraße 26
 D-32758 Detmold
 Germany

www.weidmueller.com

Technical data

Classifications

ETIM 6.0	EC002919	ETIM 7.0	EC002919
ETIM 8.0	EC002919	ETIM 9.0	EC002919
ECLASS 9.0	27-21-01-29	ECLASS 9.1	27-21-01-29
ECLASS 10.0	27-21-01-29	ECLASS 11.0	27-21-01-29
ECLASS 12.0	27-21-01-29	ECLASS 13.0	27-21-01-29

Environmental Product Compliance

REACH SVHC	Lead 7439-92-1
SCIP	2f6dd957-421a-46db-a0c2-cf1609156924

Approvals

Approvals



ROHS	Conform
------	---------

Downloads

Approval/Certificate/Document of Conformity	Declaration of Conformity
Engineering Data	CAD data – STEP
Software	ACT20P TOOL PACK version 2.3
User Documentation	instruction sheet
Catalogues	Catalogues in PDF-format

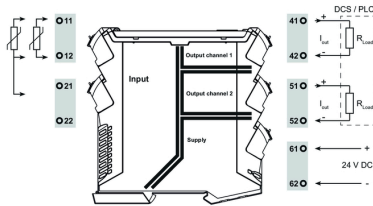
ACT20P-RTI-2AO-S

Weidmüller Interface GmbH & Co. KG
 Klingenbergstraße 26
 D-32758 Detmold
 Germany

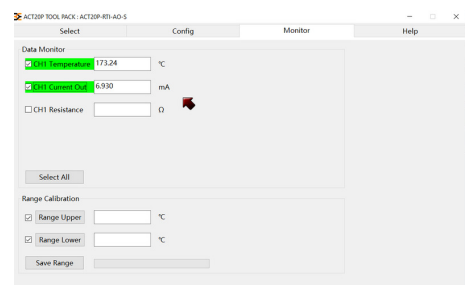
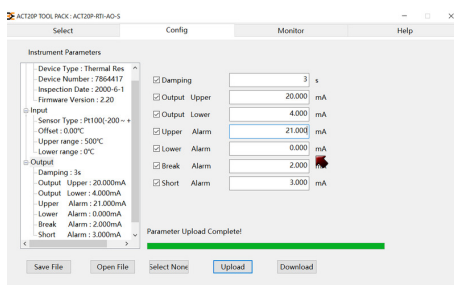
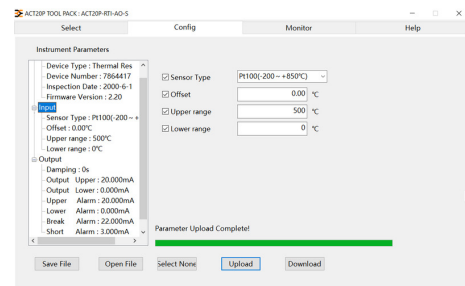
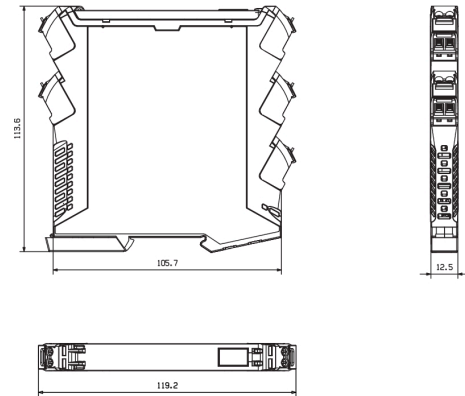
www.weidmueller.com

Drawings

Connection diagram



Dimensioned drawing



ACT20P-RTI-2AO-S

Weidmüller Interface GmbH & Co. KG
 Klingenbergstraße 26
 D-32758 Detmold
 Germany

www.weidmueller.com

Accessories

Configuration interfaces



General ordering data

Type	ADAPTER CBX200 - MINI U ...
Order No.	2907490000
GTIN (EAN)	4099986188617
Qty.	1 pc(s).

Type	CBX200 USB
Order No.	8978580000
GTIN (EAN)	4032248813759
Qty.	1 pc(s).

Blank



ESG is the tried-and-tested marker in MultiCard format for use on many well-known electrical devices. The result is high-quality device marking with a high-contrast appearance.

Various types are available for devices from manufacturers like Siemens, ABB, Beckhoff etc.

Advantages at a glance:

- Tags for universal usage, self-adhesive or clip-on tags, depending on type
- For aligned equipment, e.g. circuit breakers, we supply ESG markers for clipping onto tag rails
- Individual laser-quality printing according to specifications

For custom printing: Please send us a file of our labeling software M-Print PRO or M-Print PRO Online (without installation) for your labeling specifications.

General ordering data

Type	ESG 8/13.5/43.3 SAI AU	Version	
Order No.	1912130000	ESG, Device markers x 13.5 mm, PA 66, Colour: Transparent	
GTIN (EAN)	4032248541164		
Qty.	5 pc(s).		

ACT20P-RTI-2AO-S

Weidmüller Interface GmbH & Co. KG
 Klingenbergstraße 26
 D-32758 Detmold
 Germany

www.weidmueller.com

Accessories

Blank



ESG is the tried-and-tested marker in MultiCard format for use on many well-known electrical devices. The result is high-quality device marking with a high-contrast appearance.

Various types are available for devices from manufacturers like Siemens, ABB, Beckhoff etc. Advantages at a glance:

- Tags for universal usage, self-adhesive or clip-on tags, depending on type
- For aligned equipment, e.g. circuit breakers, we supply ESG markers for clipping onto tag rails
- Individual laser-quality printing according to specifications

For custom printing: Please send us a file of our labeling software M-Print PRO or M-Print PRO Online (without installation) for your labeling specifications.

General ordering data

Type	ESG 6.6/20 BHZ 5.00/04	Version
Order No.	1082540000	ESG, Device markers x 20 mm, PA 66, Colour: white
GTIN (EAN)	4032248845439	
Qty.	200 pc(s).	

Data sheet

ACT20P-RTI-2AO-S

Weidmüller Interface GmbH & Co. KG
Klingenbergstraße 26
D-32758 Detmold
Germany

www.weidmueller.com

Drawings

