

ACT20P-RTI-AO-S

Weidmüller Interface GmbH & Co. KG
 Klingenbergstraße 26
 D-32758 Detmold
 Germany

www.weidmueller.com

Product image, Similar to illustration



ACT20P: The flexible solution

- Precise and highly functional signal converters
- Release levers simplify handling

General ordering data

| | |
|------------|-----------------------------------------------------------------------------|
| Version | Signal converter/insulator, Input : Temperature, PT100, Output : 0(4)-20 mA |
| Order No. | 7760054233 |
| Type | ACT20P-RTI-AO-S |
| GTIN (EAN) | 6944 169696411 |
| Qty. | 1 Stück |

ACT20P-RTI-AO-S

Weidmüller Interface GmbH & Co. KG

Klingenbergstraße 26

D-32758 Detmold

Germany

www.weidmueller.com

Technische Daten

Dimensions and weights

| | | | |
|------------|---------|-----------------|------------|
| Depth | 114 mm | Depth (inches) | 4,488 inch |
| Height | 117 mm | Height (inches) | 4,606 inch |
| Width | 12,5 mm | Width (inches) | 0,492 inch |
| Net weight | 110 g | | |

Temperatures

| | | | |
|---------------------|---------------------------|-----------------------|----------------|
| Storage temperature | -40 °C...85 °C | Operating temperature | -20 °C...60 °C |
| Humidity | 5...95 %, no condensation | | |

Input

| | | | |
|--------------------------------------|--------------------------------|-------------------------|---------------------------------------------------------------------------------|
| Line resistance in measuring circuit | ≤ 50 Ω | Number of inputs | 1 |
| Sensor | PT100 (3 wire), Cu50, Cu100 | Temperature input range | Configurable, PT100: -200...+850 °C, min. measurement range 10°C (RTD) |

Output

| | | | |
|------------------------|--------------------------|-------------------|----------------------------------------------|
| Load impedance current | ≤ 550 Ω | Number of outputs | 1 |
| Output current | Adjustable, 0(4)...20 mA | Type | active, connected control must be passive |
| Wire break detection | Yes, Output value: 22 mA | | |

General data

| | | | |
|-------------------------|-----------------------------------|--------------------|-----------------------------------------------------------------------------------------------------------------------------------------------------|
| Accuracy | 0.2 °C / 0.1% of end value | Configuration | With free software ACT20P TOOL PACK, Requires configuration adapter 8978580000 CBX200 USB, + 2907490000 ADAPTER CBX200 - MINI USB |
| Current consumption | <50 mA @ I _{OUT} = 20 mA | Galvanic isolation | between input / output / supply |
| Power consumption | ca. 1.5 W | Protection degree | IP20 |
| Rail | TS 35 | Step response time | ≤1s |
| Temperature coefficient | ≤ 100 ppm/K | Voltage supply | 24 V DC ± 20 % |

Insulation coordination

| | | | |
|---------------------------|------------------|--------------------|-----------------------------------------|
| EMC standards | EN 61326-1 | Galvanic isolation | between input / output / supply |
| Impulse withstand voltage | 4 kV (1.2/50 μs) | Insulation voltage | 2 kV inputs / outputs / power supply |
| Pollution severity | 2 | Rated voltage | 300 V |
| Surge voltage category | III | Test voltage | 0,3 kV |

Connection data

| | | | |
|--------------------------------------------|---------------------|--------------------------------------------|---------------------|
| Type of connection | Screw connection | Tightening torque, max. | 0,6 Nm |
| Clamping range, rated connection | 2,5 mm ² | Clamping range, min. | 0,5 mm ² |
| Clamping range, max. | 2,5 mm ² | Wire connection cross section AWG, min. | AWG 30 |
| Wire connection cross section AWG, max. | AWG 14 | | |

Erstellungs-Datum 06:23:56 CEST Ngày 26 tháng 6 năm 2024

Katalogstand 14.06.2024 / Technische Änderungen vorbehalten

ACT20P-RTI-AO-S

Weidmüller Interface GmbH & Co. KG
 Klingenbergstraße 26
 D-32758 Detmold
 Germany

www.weidmueller.com

Technische Daten

Classifications

| | | | |
|-------------|-------------|-------------|-------------|
| ETIM 6.0 | EC002919 | ETIM 7.0 | EC002919 |
| ETIM 8.0 | EC002919 | ETIM 9.0 | EC002919 |
| ECLASS 9.0 | 27-21-01-29 | ECLASS 9.1 | 27-21-01-29 |
| ECLASS 10.0 | 27-21-01-29 | ECLASS 11.0 | 27-21-01-29 |
| ECLASS 12.0 | 27-21-01-29 | ECLASS 13.0 | 27-21-01-29 |

Environmental Product Compliance

| | |
|------------|--------------------------------------|
| REACH SVHC | Lead 7439-92-1 |
| SCIP | 2f6dd957-421a-46db-a0c2-cf1609156924 |

Approvals

Approvals



ROHS Conform

Downloads

| | |
|---------------------------------------------|----------------------------------------------|
| Approval/Certificate/Document of Conformity | Declaration of Conformity |
| Engineering Data | CAD data – STEP |
| Software | ACT20P TOOL PACK version 2.3 |
| User Documentation | instruction sheet |
| Catalogues | Catalogues in PDF-format |

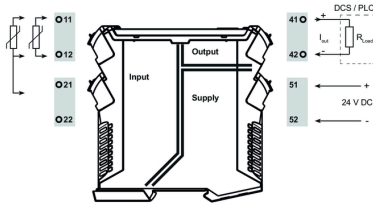
ACT20P-RTI-AO-S

Weidmüller Interface GmbH & Co. KG
 Klingenbergstraße 26
 D-32758 Detmold
 Germany

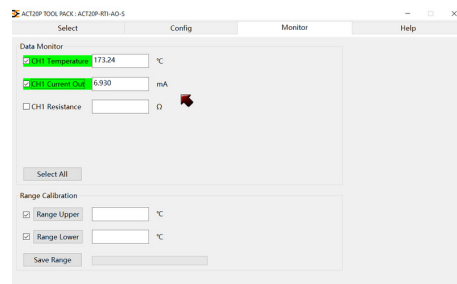
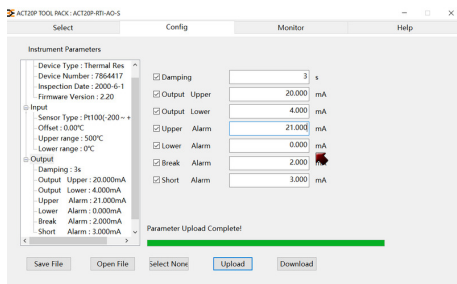
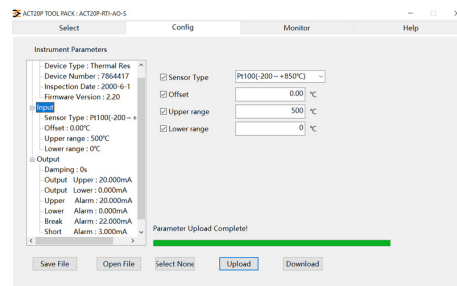
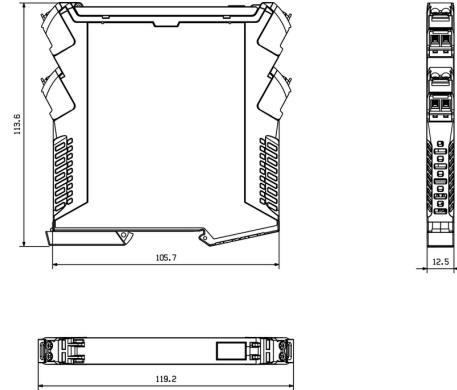
www.weidmueller.com

Zeichnungen

Connection diagram



Dimensioned drawing



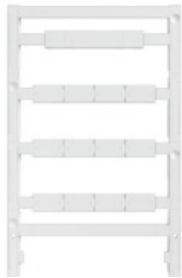
ACT20P-RTI-AO-S

Weidmüller Interface GmbH & Co. KG
 Klingenbergstraße 26
 D-32758 Detmold
 Germany

www.weidmueller.com

Accessories

Blank



ESG is the tried-and-tested marker in MultiCard format for use on many well-known electrical devices. The result is high-quality device marking with a high-contrast appearance.

Various types are available for devices from manufacturers like Siemens, ABB, Beckhoff etc. Advantages at a glance:

- Tags for universal usage, self-adhesive or clip-on tags, depending on type
- For aligned equipment, e.g. circuit breakers, we supply ESG markers for clipping onto tag rails
- Individual laser-quality printing according to specifications

For custom printing: Please send us a file of our labeling software M-Print PRO or M-Print PRO Online (without installation) for your labeling specifications.

General ordering data

| | | | |
|------------|----------------------------|-----------------------------------------------------------|--|
| Type | ESG 8/13.5/43.3 SAI AU | Version | |
| Order No. | 1912130000 | ESG, Device markers x 13.5 mm, PA 66, Colour: Transparent | |
| GTIN (EAN) | 4032248541164 | | |
| Qty. | 5 Stück | | |

Configuration interfaces



General ordering data

| | |
|------------|-----------------------------|
| Type | CBX200 USB |
| Order No. | 8978580000 |
| GTIN (EAN) | 4032248813759 |
| Qty. | 1 Stück |
| Type | ADAPTER CBX200 - MINI U ... |
| Order No. | 2907490000 |
| GTIN (EAN) | 4099986188617 |
| Qty. | 1 Stück |

ACT20P-RTI-AO-S

Weidmüller Interface GmbH & Co. KG
Klingenbergstraße 26
D-32758 Detmold
Germany

www.weidmueller.com

Accessories

Blank



ESG is the tried-and-tested marker in MultiCard format for use on many well-known electrical devices. The result is high-quality device marking with a high-contrast appearance.

Various types are available for devices from manufacturers like Siemens, ABB, Beckhoff etc. Advantages at a glance:

- Tags for universal usage, self-adhesive or clip-on tags, depending on type
- For aligned equipment, e.g. circuit breakers, we supply ESG markers for clipping onto tag rails
- Individual laser-quality printing according to specifications

For custom printing: Please send us a file of our labeling software M-Print PRO or M-Print PRO Online (without installation) for your labeling specifications.

General ordering data

| | | |
|------------|----------------------------|---------------------------------------------------|
| Type | ESG 6.6/20 BHZ 5.00/04 | Version |
| Order No. | 1082540000 | ESG, Device markers x 20 mm, PA 66, Colour: white |
| GTIN (EAN) | 4032248845439 | |
| Qty. | 200 Stück | |

Datenblatt

ACT20P-RTI-AO-S

Weidmüller Interface GmbH & Co. KG
Klingenbergstraße 26
D-32758 Detmold
Germany

www.weidmueller.com

Zeichnungen

