

KLIPPON CS K41-4

Weidmüller Interface GmbH & Co. KG
 Klingenbergstraße 26
 D-32758 Detmold
 Germany

www.weidmueller.com



On-site control with Ex-certified Klippon® Control Station: small command and signalling devices. Approved operating and display elements in stainless steel, aluminium or polyester enclosures. You want to control and safeguard your work processes in hazardous areas. For on-site control - approved Klippon® enclosure solutions with control and display elements.

General ordering data

Version	Klippon Control Station (control and signalling device), Control / signalling device, KLIPPON K41 EX, Aluminium AISi12, Pushbutton - red, Pushbutton - green, 2 NC contact, 2 NO contacts, -55 °C...+55 °C, IP54, IP66
Order No.	1537510000
Type	KLIPPON CS K41-4
GTIN (EAN)	4050118341942
Qty.	1 Stück
Cable gland	1460070000
Reference product	9526920000

Erstellungs-Datum 10:05:13 CEST Ngày 04 tháng 6 năm 2024

Katalogstand 01.06.2024 / Technische Änderungen vorbehalten

KLIPPON CS K41-4

Weidmüller Interface GmbH & Co. KG
 Klingenbergstraße 26
 D-32758 Detmold
 Germany

www.weidmueller.com

Technische Daten

Dimensions and weights

Depth	81 mm	Depth (inches)	3,189 inch
Depth with add-on components	119 mm	Height	122 mm
Height (inches)	4,803 inch	Width	120 mm
Width (inches)	4,724 inch	Net weight	1.300 g

Temperatures

Ambient temperature	-55 °C...+55 °C
---------------------	-----------------

Certificate numbers enclosure

Certificate No. (ATEX)	TUEV14ATEX7606X	Certificate No. (IECEX)	IECEXITA14.0013X
Certificate no. Terminal Box (ATEX)	TÜV 14 ATEX 7606 X	Certificate no. Terminal Box (IECEX)	IECEX ITA 14.0013X
Certificate no. Terminal Box (INMETRO)	LMP 21.0019X		

General information

1 Position in enclosure	Pushbutton - red	2 Position in enclosure	Pushbutton - green
Contact design	2 NC contact, 2 NO contacts	Operating voltage, max.	400 V
Operating current at 40°C ambient temperature, max.	1.5 mm ² - T6 10 A, 1.5 mm ² - T5 16 A, 2.5 mm ² - T6 16 A	Operating current at 55°C ambient temperature, max.	1.5 mm ² - T4 16 A, 1.5 mm ² - T5 10 A, 2.5 mm ² - T5 16 A
Actuators	Pushbutton	Actuator colour	red, green
Drill holes side B	1 x M25	Lid attachment	Torx®-20 slothead screws
Seal material of operating and display elements	EPDM	Enclosure seal material	Silicone (VMQ)
Torque for lid screws	2,5 Nm	Earth stud torque	2,5 Nm
External earth	M4 earthing studs, stainless steel	Internal earth	Earth terminal
Marking	II 2 G Ex d e IIC T ⁺ Gb, II 2 D Ex tb IIIC T ⁺ C Db	Cable gland clamping area, max.	18 mm
Cable gland clamping area, min.	10 mm	Wire connection cross section, finely stranded, max.	2,5 mm ²
Type of mounting	Wall mounting	Surface finish	Powder-coated
Impact resistance	7 joules in acc. with IEC60079-0	Temperature class	T4, T5, T6
Material	Aluminium AISi12		

Housing

Drill holes side B	1 x M25	Material	Aluminium AISi12
--------------------	---------	----------	------------------

Classifications

ETIM 6.0	EC002503	ETIM 7.0	EC002503
ETIM 8.0	EC002503	ETIM 9.0	EC002503
ECLASS 9.0	27-18-05-02	ECLASS 9.1	27-18-05-90
ECLASS 10.0	27-18-05-02	ECLASS 11.0	27-18-05-02
ECLASS 12.0	27-18-05-02	ECLASS 13.0	27-18-05-02

Environmental Product Compliance

REACH SVHC	Lead 7439-92-1
SCIP	9e4cab4e-239c-4e14-b9df-a0fee300d28a

KLIPPON CS K41-4

Weidmüller Interface GmbH & Co. KG
Klingenbergstraße 26
D-32758 Detmold
Germany

www.weidmueller.com

Technische Daten

Approvals

Approvals

ATEX

Downloads

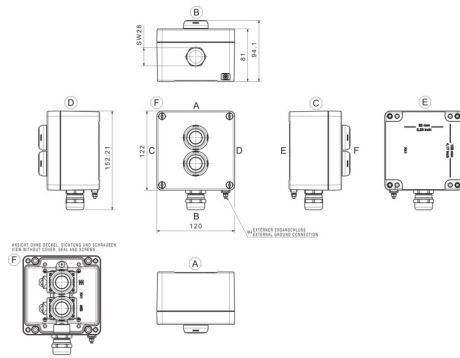
Approval/Certificate/Document of Conformity	TUEV14ATEX7606X IECEXITA14.0013X INMETRO Certificado INMETRO - LMP 21.0019X KCS
Catalogues	Catalogues in PDF-format
Brochures	PI KLIPPON CS EN

KLIPPON CS K41-4

Weidmüller Interface GmbH & Co. KG
 Klingenbergstraße 26
 D-32758 Detmold
 Germany

www.weidmueller.com

Zeichnungen



- Klippon CS POK 122208 - 4 - LtBmarLaBmpg**
- Actuating and illuminating elements
 - B: Button
 - I: Illuminated button
 - L: Lamp
 - e: NO
 - m:NC and NO
 - c: NC
 - g: Green
 - r: Red
 - e: Emergency Stop
 - p: Push
 - k: Key
 - 3: Positions of the switch
 - Drilling design
 - Dimensions
 - Enclosure Range
 - POK (Polyester)
 - K (Aluminium)
 - STB (Stainless Steel)
 - Product Name
 - Control Station
 - Brand Name
 - Klippon®

KLIPPON CS K41-4

Weidmüller Interface GmbH & Co. KG
 Klingenbergstraße 26
 D-32758 Detmold
 Germany

www.weidmueller.com

Accessories

Klippon® K - Wall-mounted holder



The system accessories for the Klippon® K enclosure series allows you to easily adapt the enclosures to meet the specific requirements of every application.

- DIN Rails TS 35 and TS15
- Mounting plates
- Hinges
- Wall-mounted holder

General ordering data

Type	KLIPPON K MF KIT 25	Version
Order No.	9527590000	Klippon K (aluminium empty enclosure), Mounting foot, Fixing lugs,
GTIN (EAN)	4032248014071	Height: 70 mm, Width: 33.5 mm, Depth: 12 mm, Material: Stainless
Qty.	1 Stück	steel 1.4301, silver