

KLIPPON CS POK 122209-2

Weidmüller Interface GmbH & Co. KG
 Klingenbergstraße 26
 D-32758 Detmold
 Germany

www.weidmueller.com



On-site control with Ex-certified Klippon® Control Station: small command and signalling devices. Approved operating and display elements in stainless steel, aluminium or polyester enclosures. You want to control and safeguard your work processes in hazardous areas. For on-site control - approved Klippon® enclosure solutions with control and display elements.

General ordering data

Version	Klippon Control Station (control and signalling device), Control / signalling device, KLIPPON POK 122209 EX, Glass-fibre reinforced polyester with graphite mixture, Pushbutton - red, Light module - green, Pushbutton - green, 2 NC contact, 2 NO contacts, -55 °C...+55 °C, IP54, IP66
Order No.	1537140000
Type	KLIPPON CS POK 122209-2
GTIN (EAN)	4050118341089
Qty.	1 Stück
Cable gland	2721990000
Reference product	1306070000

Erstellungs-Datum 05:12:44 CEST Ngày 19 tháng 6 năm 2024

Katalogstand 14.06.2024 / Technische Änderungen vorbehalten

KLIPPON CS POK 122209-2

Weidmüller Interface GmbH & Co. KG
 Klingenbergstraße 26
 D-32758 Detmold
 Germany

www.weidmueller.com

Technische Daten

Dimensions and weights

Depth	90 mm	Depth (inches)	3,543 inch
Depth with add-on components	112 mm	Height	220 mm
Height (inches)	8,661 inch	Height of lowest version	90 mm
Width	120 mm	Width (inches)	4,724 inch
Mounting dimension - height	82 mm	Mounting dimension - width	204 mm
Net weight	1.665 g		

Temperatures

Ambient temperature	-55 °C...+55 °C	Operating temperature	-55 °C...55 °C
---------------------	-----------------	-----------------------	----------------

Certificate numbers enclosure

Certificate No. (ATEX)	TUEV14ATEX7606X	Certificate No. (IECEX)	IECEXITA14.0013X
Certificate no. Terminal Box (ATEX)	TÜV 14 ATEX 7606 X	Certificate no. Terminal Box (IECEX)	IECEX ITA 14.0013X
Certificate no. Terminal Box (INMETRO)	LMP 21.0019X		

General information

1 Position in enclosure	Pushbutton - red	2 Position in enclosure	Light module - green
3 Position in enclosure	Pushbutton - green	Contact design	2 NC contact, 2 NO contacts
Operating voltage, max.	250 V	Operating current at 40°C ambient temperature, max.	1.5 mm ² - T6 10 A, 1.5 mm ² - T5 16 A, 2.5 mm ² - T6 16 A
Operating current at 55°C ambient temperature, max.	1.5 mm ² - T4 16 A, 1.5 mm ² - T5 10 A, 2.5 mm ² - T5 16 A	Actuators	Pushbutton
Actuator colour	red, green	Drill holes side B	1 x M25
UL 94 flammability rating	V-0	Lid attachment	Crosshead screws, stainless steel
Seal material of operating and display elements	EPDM	Enclosure seal material	Silicone (VMQ)
Torque for lid screws	2,5 Nm	External earth	Available on request
Marking	II 2 G Ex d e IIC T ⁺ Gb, II 2 D Ex tb IIIC T ⁺ C Db	Cable gland clamping area, max.	17 mm
Cable gland clamping area, min.	12 mm	Wire connection cross section, finely stranded, max.	2,5 mm ²
Illumination module colour	green	Type of mounting	Wall mounting
Surface finish	untreated	Impact resistance	4 joules in acc. with IEC60079-0
Temperature class	T4, T5, T6	Material	Glass-fibre reinforced polyester with graphite mixture

Housing

Drill holes side B	1 x M25	Material	Glass-fibre reinforced polyester with graphite mixture
--------------------	---------	----------	--

KLIPPON CS POK 122209-2

Weidmüller Interface GmbH & Co. KG
 Klingenbergstraße 26
 D-32758 Detmold
 Germany

www.weidmueller.com

Technische Daten

Classifications

ETIM 6.0	EC002503	ETIM 7.0	EC002503
ETIM 8.0	EC002503	ETIM 9.0	EC002503
ECLASS 9.0	27-18-05-02	ECLASS 9.1	27-18-05-90
ECLASS 10.0	27-18-05-02	ECLASS 11.0	27-18-05-02
ECLASS 12.0	27-18-05-02	ECLASS 13.0	27-18-05-02

Environmental Product Compliance

REACH SVHC	Lead 7439-92-1
SCIP	afb385d0-c52b-4449-8502-203596817ab0

Approvals

Approvals

ATEX

Downloads

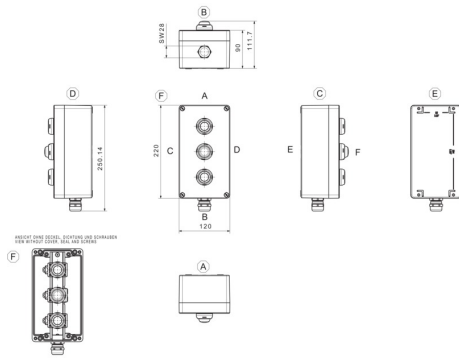
Approval/Certificate/Document of Conformity	TUEV14ATEX7606X IECEXITA14.0013X INMETRO Certificado INMETRO - LMP 21.0019X KCS
Catalogues	Catalogues in PDF-format
Brochures	PI KLIPPON CS EN

KLIPPON CS POK 122209-2

Weidmüller Interface GmbH & Co. KG
 Klingenbergstraße 26
 D-32758 Detmold
 Germany

www.weidmueller.com

Zeichnungen



- Klippon CS POK 122209 - 4 - L&BmarLaBmpg**
- Actuating and illuminating elements
 - B: Button
 - L: Illuminated bottom
 - L: Lamp
 - e: NO
 - m/NC and NO
 - e: NC
 - g: Green
 - r: Red
 - e: Emergency Stop
 - p: Push
 - k: Key
 - 3: Positions of the switch
 - Drilling design
 - Dimensions
 - Enclosure Range
 - POK (Polyester)
 - K (Aluminium)
 - STB (Stainless Steel)
 - Product Name
 - Control Station
 - Brand Name
 - Klippon®