

UPS-BAT/PB/24DC/7AH - Battery module



1274118

<https://www.phoenixcontact.com/pc/products/1274118>

Please be informed that the data shown in this PDF document is generated from our online catalog. Please find the complete data in the user documentation. Our general terms of use for downloads are valid.



Battery module, VRLA-AGM, 24 V DC, 7 Ah, automatic detection and communication with QUINT UPS-IQ

Product description

For continuous monitoring and intelligent management, there is constant communication with the QUINT UPS. Thanks to automatic detection of the battery module and tool-free switching during operation, quick installation is possible. The battery modules for QUINT UPS with IQ Technology are fully charged before being sent to our warehouse.

Your advantages

- Maximum buffer times
- Lead AGM (Absorbent Glass Mat) technology

Commercial data

Item number	1274118
Packing unit	1 pc
Minimum order quantity	1 pc
Product key	CMUEV3
GTIN	4063151466428
Weight per piece (including packing)	6,760 g
Weight per piece (excluding packing)	5,900 g
Customs tariff number	85072080
Country of origin	CN

UPS-BAT/PB/24DC/7AH - Battery module



1274118

<https://www.phoenixcontact.com/pc/products/1274118>

Technical data

Energy storage

Input

Input voltage	24 V DC (SELV)
Nominal capacity	7 Ah
Charging current	2.1 A
End-of-charge voltage	27.6 V DC (20 °C)

Output

Output voltage	24 V DC
Output current	max. 50 A
Output fuse	2x 25 A
Buffer time	9 min. (20 A)
	3 min. (40 A)

General

Connection in parallel	yes
	max. 5
Connection in series	No
Battery type	BB Battery BP7-12FR
Battery technology	VRLA-AGM
IQ-Technology	yes
Latest startup date (battery only)	12 Months (0 °C ... 20 °C)
Latest startup (battery only) - range	9 Months ... 12 Months (20 °C ... 30 °C)
	6 Months ... 9 Months (30 °C ... 40 °C)
Accumulator module service life (according to Eurobat)	6 (20 °C)
Size designation	Block
Battery pack	yes
Suitable for fast charging	yes
Temperature sensor	yes
Number of replacement battery kits	1x (UPS-BAT-KIT/PB/2X12V/7AH (1283119))

Product properties

Product type	Battery module
Product family	Battery module
Application	for QUINT4 DC-UPS, QUINT4 AC-UPS, QUINT-UPS, and TRIO-UPS-2G
Disposal	Used batteries must not be thrown away with household waste, they should instead be disposed of in accordance with applicable national regulations.

Insulation characteristics

Protection class	III
------------------	-----

UPS-BAT/PB/24DC/7AH - Battery module



1274118

<https://www.phoenixcontact.com/pc/products/1274118>

Degree of pollution	2
---------------------	---

Dimensions

Item dimensions

Width	135 mm
Height	202 mm
Depth	110 mm

Drill hole

Diameter	5 mm
----------	------

Installation dimensions

Installation distance right/left	0 mm / 0 mm
Installation distance top/bottom	50 mm / 50 mm

Mounting

Mounting position	horizontal DIN rail NS 35, EN 60715
-------------------	-------------------------------------

Material specifications

Housing material	Metal
Type of housing	Galvanized sheet steel, powder-coated

Environmental and real-life conditions

Ambient conditions

Degree of protection	IP20
Ambient temperature (storage/transport)	-20 °C ... 40 °C
Ambient temperature (charge)	0 °C ... 40 °C
Ambient temperature (discharge)	-20 °C ... 50 °C
Max. permissible relative humidity (operation)	≤ 95 %
Shock	15g, 11 ms, in each space direction (in accordance with IEC 60068-2-27)
Vibration (operation)	5 Hz ... 100 Hz, 0.7g (in accordance with DNV/IEC 600068-2-6)

Approvals

UL

Identification	UL/C-UL Listed UL 61010-1
----------------	---------------------------

UL

Identification	UL/C-UL Listed ANSI/UL 121201 Class I, Division 2, Groups A, B, C, D (Hazardous Location)
----------------	---

Shipbuilding

Identification	DNV
----------------	-----

Shipbuilding

Identification	ABS
----------------	-----

UPS-BAT/PB/24DC/7AH - Battery module



1274118

<https://www.phoenixcontact.com/pc/products/1274118>

Shipbuilding

Identification

LR

Shipbuilding

Identification

BV

Ex data

Suited for EX-applications

No

Notes

General

Note on the battery

This product contains a battery with a limited shelf life that must be charged every few months. The product packaging indicates when the battery must be started up or recharged. The general shelf life can be found in the technical data area under "Latest startup".

UPS-BAT/PB/24DC/7AH - Battery module

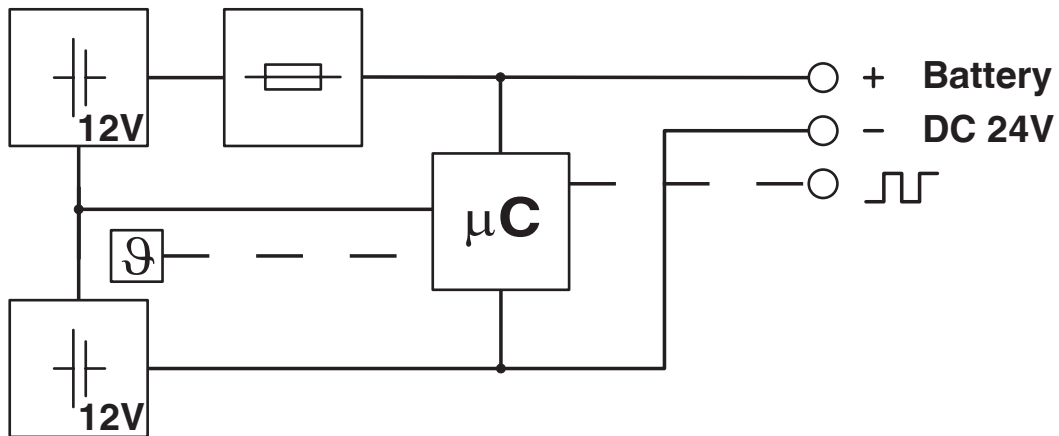


1274118

<https://www.phoenixcontact.com/pc/products/1274118>

Drawings

Block diagram



Block diagram

UPS-BAT/PB/24DC/7AH - Battery module



1274118

<https://www.phoenixcontact.com/pc/products/1274118>

Approvals

To download certificates, visit the product detail page: <https://www.phoenixcontact.com/pc/products/1274118>

ABS

Approval ID: 22-2244289-PDA



EAC

Approval ID: RU*DE*01.B.78948/21



cULus Listed

Approval ID: FILE E 123528



LR

Approval ID: LR22136091TA



BV

Approval ID: 41516/B0 BV

DNV

Approval ID: TAA0000265

	Nominal voltage U_N	Nominal current I_N	Cross section AWG	Cross section mm^2
	500 V	41 A	-	- 6



IECEE CB Scheme

Approval ID: DK-134807-A1-UL



cULus Listed

Approval ID: FILE E 199827

UPS-BAT/PB/24DC/7AH - Battery module



1274118

<https://www.phoenixcontact.com/pc/products/1274118>

Classifications

ECLASS

ECLASS-11.0	27050403
ECLASS-12.0	27050403
ECLASS-13.0	27050403

ETIM

ETIM 9.0	EC000357
----------	----------

UNSPSC

UNSPSC 21.0	26111700
-------------	----------

UPS-BAT/PB/24DC/7AH - Battery module



1274118

<https://www.phoenixcontact.com/pc/products/1274118>

Environmental product compliance

REACH SVHC	Lead 7439-92-1
China RoHS	Environmentally Friendly Use Period = 8
	For information on hazardous substances, refer to the manufacturer's declaration available under "Downloads"

UPS-BAT/PB/24DC/7AH - Battery module

1274118

<https://www.phoenixcontact.com/pc/products/1274118>

Accessories

QUINT-ADAPTER/4 - Mounting adapter

2866857

<https://www.phoenixcontact.com/pc/products/2866857>

Assembly adapter for QUINT-BAT/24DC... on 35mm rail



FUSE 25A/32V ATOF - Fuse

2908366

<https://www.phoenixcontact.com/pc/products/2908366>

Fuse, nominal current: 25 A, length: 19.1 mm, width: 5 mm, height: 18.8 mm



UPS-BAT/PB/24DC/7AH - Battery module

1274118

<https://www.phoenixcontact.com/pc/products/1274118>



UPS-BAT-KIT/PB/2X12V/7AH - Uninterruptible power supply replacement battery

1283119

<https://www.phoenixcontact.com/pc/products/1283119>

Replacement battery, VRLA-AGM, 2x12 V DC, 7 Ah



Phoenix Contact 2024 © - all rights reserved

<https://www.phoenixcontact.com>

PHOENIX CONTACT GmbH & Co. KG

Flachsmarktstraße 8

D-32825 Blomberg

+49 (0) 5235-3 00

info@phoenixcontact.com