

PSR-SPP-24DC/ESD/5X1/1X2/300 - Safety relays



2981431

<https://www.phoenixcontact.com/us/products/2981431>

Please be informed that the data shown in this PDF document is generated from our online catalog. Please find the complete data in the user documentation. Our general terms of use for downloads are valid.



Safety relay for emergency stop and safety door monitoring up to SIL 3 or Cat. 4, PL e (EN ISO 13849), one- or two-channel operation, automatic or manual activation, 3 N/O contacts, 1 N/C contact, 2 N/O contacts with dropout delay of 0.2 s ... 300 s, pluggable Push-in terminal block

Your advantages

- Maximum of 3 undelayed and 2 dropout delay contacts
- Manually monitored and automatic activation
- Up to Cat. 3/4 and PL d/e in accordance with EN ISO 13849-1, SIL 3 in accordance with EN IEC 62061, SIL 3 in accordance with IEC 61508
- For emergency stop and safety door monitoring, plus evaluation of light grids
- 1- and 2-channel control
- Adjustable delay time of 0.2 s ... 300 s (24 increments)
- Protective labels to prevent manipulation of the set time (PSR-ESD-300) or electronic protection against manipulation (PSR-ESD-30)

Commercial data

Item number	2981431
Packing unit	1 pc
Minimum order quantity	1 pc
Sales key	DN01
Product key	DNA131
Catalog page	Page 230 (C-6-2019)
GTIN	4017918975234
Weight per piece (including packing)	419.2 g
Weight per piece (excluding packing)	417.2 g
Customs tariff number	85371098
Country of origin	DE

Technical data

Product properties

Product type	Safety relays
Product family	PSRclassic
Application	Emergency stop
	Safety door
	Light grid
Mechanical service life	10x 10 ⁶ cycles
Relay type	Electromechanical relay with force-guided contacts in accordance with IEC/EN 61810-3

Electrical properties

Maximum power dissipation for nominal condition	3.72 W
Nominal operating mode	100% operating factor

Air clearances and creepage distances between the power circuits

Rated insulation voltage	250 V AC
Rated surge voltage/insulation	Basic insulation 4 kV: between all current paths and housing Safe isolation, reinforced insulation 6 kV: between 13/14, 23/24, 33/34, and the remaining current paths between 13/14, 23/24, 33/34 among one another

Input data

General

Rated control circuit supply voltage U_S	24 V DC -15 % / +10 %
Power consumption at U_S	typ. 3.72 W
Rated control supply current I_S	typ. 155 mA
Inrush current	200 mA (at U_S)
	< 40 mA (with U_S/I_x to S10)
	< 150 mA (with U_S/I_x to S12)
	> -60 mA (with U_S/I_x to S22)
	< 40 mA (with U_S/I_x to S34)
	< 40 mA (with U_S/I_x to S35)
Current consumption	< 40 mA (with U_S/I_x to S10)
	< 50 mA (with U_S/I_x to S12)
	> -40 mA (with U_S/I_x to S22)
	0 mA (with U_S/I_x to S34)
	< 5 mA (with U_S/I_x to S35)
Voltage at input/start and feedback circuit	24 V DC -15 % / +10 %
Filter time	1 ms (at A1 in the event of voltage dips at U_S)
	max. 1.5 ms (at S10, S12; test pulse width)
	7.5 ms (at S10, S12; test pulse rate)
	Test pulse rate = 5 x Test pulse width

PSR-SPP-24DC/ESD/5X1/1X2/300 - Safety relays



2981431

<https://www.phoenixcontact.com/us/products/2981431>

Typical response time	< 600 ms (automatic start)
	< 70 ms (manual start)
Typ. starting time with U_s	< 600 ms (when controlled via A1)
Typical release time	< 20 ms (when controlled via S11/S12 and S21/S22)
	< 20 ms (when controlled via A1)
Concurrence	∞
Recovery time	< 1 s
Maximum switching frequency	0.5 Hz
Protective circuit	Surge protection; Suppressor diode
Max. permissible overall conductor resistance	approx. 22 Ω (Input and start circuits at U_s)
Operating voltage display	1 x green LED
Status display	4 x green LEDs

Output data

Contact switching type	5 enabling current paths
	1 signaling current path
Contact material	AgSnO ₂
Maximum switching voltage	250 V AC/DC (Observe the load curve)
Minimum switching voltage	5 V AC/DC
Limiting continuous current	6 A (N/O contact, pay attention to the derating)
	6 A (N/C contact)
Maximum inrush current	20 A ($\Delta t \leq 100$ ms, undelayed contacts)
	8 A (delayed contacts)
Inrush current, minimum	10 mA
Sq. Total current	55 A ² (observe derating)
Interrupting rating (ohmic load) max.	144 W (24 V DC, $\tau = 0$ ms)
	288 W (48 V DC, $\tau = 0$ ms)
	110 W (110 V DC, $\tau = 0$ ms, delayed contacts: 77 W)
	88 W (220 V DC, $\tau = 0$ ms)
	1500 VA (250 V AC, $\tau = 0$ ms, delayed contacts: 2000 VA)
Maximum interrupting rating (inductive load)	42 W (24 V DC, $\tau = 40$ ms, delayed contacts: 48 W)
	42 W (48 V DC, $\tau = 40$ ms, delayed contacts: 40 W)
	42 W (110 V DC, $\tau = 40$ ms, delayed contacts: 35 W)
	42 W (220 V DC, $\tau = 40$ ms, delayed contacts: 33 W)
Switching capacity min.	50 mW
Switching capacity (360/h cycles)	4 A (24 V DC)
	4 A (230 V AC)
Switching capacity (3600/h cycles)	2.5 A (24 V (DC13))
	3 A (230 V (AC15))
Output fuse	10 A gL/gG (N/O contact)
	6 A gL/gG (N/C contact)

Connection data

Connection technology

PSR-SPP-24DC/ESD/5X1/1X2/300 - Safety relays



2981431

<https://www.phoenixcontact.com/us/products/2981431>

pluggable	yes
-----------	-----

Conductor connection

Connection method	Push-in connection
Conductor cross section rigid	0.2 mm ² ... 1.5 mm ²
Conductor cross section flexible	0.2 mm ² ... 1.5 mm ²
Conductor cross section, flexible, with ferrule, with plastic sleeve	0.25 mm ² ... 1.5 mm ² (only together with CRIMPFOX 6)
Conductor cross section flexible, with ferrule without plastic sleeve	0.25 mm ² ... 1.5 mm ² (only together with CRIMPFOX 6)
Conductor cross-section AWG	24 ... 16
Stripping length	8 mm

Dimensions

Width	45 mm
Height	112 mm
Depth	114.5 mm

Material specifications

Color (Housing)	yellow (RAL 1018)
Housing material	PBT

Characteristics

Safety data

Stop category	0
	1

Safety data: EN ISO 13849

Category	4 (Undelayed contacts)
	3 (delayed contacts)
Performance level (PL)	e (for delayed contacts PL d)

Safety data: IEC 61508 - High demand

Safety Integrity Level (SIL)	3 (for delayed contacts SIL 2)
------------------------------	--------------------------------

Safety data: IEC 61508 - Low demand

Safety Integrity Level (SIL)	3 (for delayed contacts SIL 2)
------------------------------	--------------------------------

Safety data: EN IEC 62061

Safety Integrity Level (SIL)	3 (for delayed contacts SIL 2)
------------------------------	--------------------------------

Environmental and real-life conditions

Ambient conditions

Degree of protection	IP20
Min. degree of protection of inst. location	IP54
Ambient temperature (operation)	-20 °C ... 55 °C (observe derating)
Ambient temperature (storage/transport)	-40 °C ... 70 °C

PSR-SPP-24DC/ESD/5X1/1X2/300 - Safety relays



2981431

<https://www.phoenixcontact.com/us/products/2981431>

Maximum altitude	≤ 2000 m (Above sea level)
Max. permissible humidity (storage/transport)	75 % (on average, 85% infrequently, non-condensing)
Max. permissible relative humidity (operation)	75 % (on average, 85% infrequently, non-condensing)
Shock	15g
Vibration (operation)	10 Hz ... 150 Hz, 2g

Approvals

CE

Certificate	CE-compliant
-------------	--------------

Standards and regulations

Air clearances and creepage distances between the power circuits

Standards/regulations	IEC 60664-1
-----------------------	-------------

Mounting

Mounting type	DIN rail mounting
Mounting position	any

PSR-SPP-24DC/ESD/5X1/1X2/300 - Safety relays

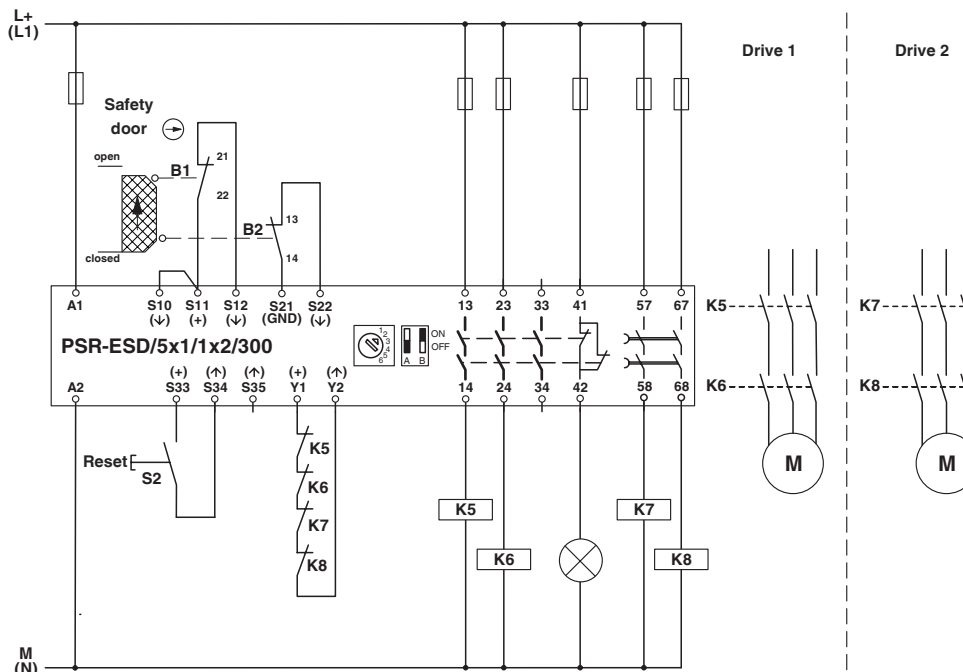


2981431

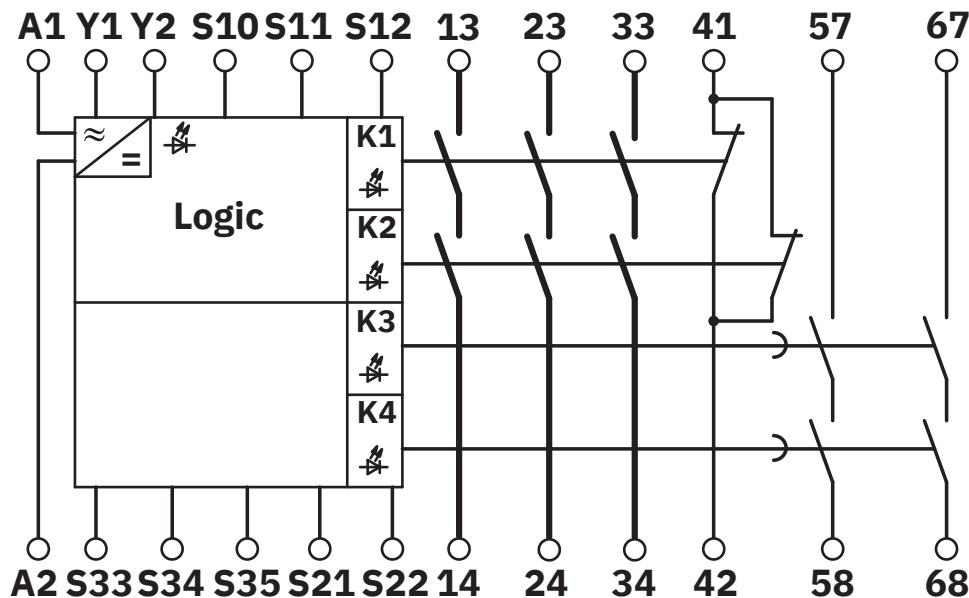
<https://www.phoenixcontact.com/us/products/2981431>

Drawings

Circuit diagram



Circuit diagram



PSR-SPP-24DC/ESD/5X1/1X2/300 - Safety relays



2981431

<https://www.phoenixcontact.com/us/products/2981431>

Approvals

To download certificates, visit the product detail page: <https://www.phoenixcontact.com/us/products/2981431>



EAC

Approval ID: TR_TS_D_00573_c



UL Listed

Approval ID: FILE E 140324



cUL Listed

Approval ID: FILE E 140324

Functional Safety

Approval ID: 968/EZ408.05/23

cULus Listed

PSR-SPP-24DC/ESD/5X1/1X2/300 - Safety relays



2981431

<https://www.phoenixcontact.com/us/products/2981431>

Classifications

ECLASS

ECLASS-11.0	27371819
ECLASS-13.0	27371819
ECLASS-12.0	27371819

ETIM

ETIM 9.0	EC001449
----------	----------

UNSPSC

UNSPSC 21.0	39122200
-------------	----------

PSR-SPP-24DC/ESD/5X1/1X2/300 - Safety relays



2981431

<https://www.phoenixcontact.com/us/products/2981431>

Environmental product compliance

REACH SVHC	Lead 7439-92-1
China RoHS	Environmentally Friendly Use Period = 50 years
	For information on hazardous substances, refer to the manufacturer's declaration available under "Downloads"

PSR-SPP-24DC/ESD/5X1/1X2/300 - Safety relays



2981431

<https://www.phoenixcontact.com/us/products/2981431>

Accessories

CRIMPFOX 6 - Crimping pliers

1212034

<https://www.phoenixcontact.com/us/products/1212034>



Crimping pliers, for ferrules without insulating collar according to DIN 46228 Part 1 and ferrules with insulating collar according to DIN 46228 Part 4, 0.25 mm² ... 6.0 mm², lateral entry, trapezoidal crimp

Phoenix Contact 2024 © - all rights reserved
<https://www.phoenixcontact.com>

Phoenix Contact USA
586 Fulling Mill Road
Middletown, PA 17057, United States
(+717) 944-1300
info@phoenixcon.com