

# PSR-SCP- 24UC/ESD/4X1/1X2/600 - Safety relays



2963789

<https://www.phoenixcontact.com/us/products/2963789>

Please be informed that the data shown in this PDF document is generated from our online catalog. Please find the complete data in the user documentation. Our general terms of use for downloads are valid.



Safety relay for emergency stop and safety door monitoring up to SIL 3 or Cat. 4, PL e in accordance with EN ISO 13849 with adjustable delay time of 0 ... 600 s

## Commercial data

Item number	2963789
Packing unit	1 pc
Note	Made to order (non-returnable)
Sales key	DN01
Product key	DNA131
Catalog page	Page 40 (IF-2002)
GTIN	4017918890377
Weight per piece (including packing)	404.6 g
Weight per piece (excluding packing)	404.6 g
Customs tariff number	85371098
Country of origin	DE

# PSR-SCP- 24UC/ESD/4X1/1X2/600 - Safety relays



2963789

<https://www.phoenixcontact.com/us/products/2963789>

## Technical data

### Product properties

Product type	Safety relays
Application	Emergency stop
	Safety door
Mechanical service life	approx. $10^7$ cycles

### Electrical properties

Maximum power dissipation for nominal condition	6.36 W
Nominal operating mode	100% operating factor

### Air clearances and creepage distances between the power circuits

Rated insulation voltage	250 V
Rated surge voltage/insulation	4 kV / basic insulation

### Input data

#### General

Nominal input voltage $U_N$	24 V AC/DC (further voltages on request)
Input voltage range in reference to $U_N$	0.85 ... 1.1
Typical input current at $U_N$	550 mA AC
	265 mA DC
Voltage at input/start and feedback circuit	approx.
Typical response time	45 ms
Typical release time	45 ms (release time( K3,K4) can be set to 0.05 s ... 600 s)
Concurrence	1 s
Recovery time	1 s

### Output data

Contact switching type	4 enabling current paths
	1 signaling current path
Contact material	AgSnO <sub>2</sub> , + 0.2 µm Au
Maximum switching voltage	250 V AC/DC
Minimum switching voltage	15 V AC/DC
Limiting continuous current	6 A (total current on request)
Maximum inrush current	6 A
Inrush current, minimum	25 mA
Interrupting rating (ohmic load) max.	on request
Maximum interrupting rating (inductive load)	on request
Switching capacity min.	0.4 W
Output fuse	6 A (fast-blow)

### Connection data

# PSR-SCP- 24UC/ESD/4X1/1X2/600 - Safety relays



2963789

<https://www.phoenixcontact.com/us/products/2963789>

## Conductor connection

Connection method	Screw connection
Conductor cross section, rigid	0.2 mm <sup>2</sup> ... 2.5 mm <sup>2</sup>
Conductor cross section, flexible	0.2 mm <sup>2</sup> ... 2.5 mm <sup>2</sup>
Conductor cross section AWG	24 ... 12
Stripping length	7 mm
Screw thread	M3

## Dimensions

Width	35 mm
Height	99 mm
Depth	114.5 mm

## Material specifications

Color	yellow
-------	--------

## Characteristics

### Safety data

Stop category	0
	1

### Safety data: EN ISO 13849

Category	4
Performance level (PL)	e

## Environmental and real-life conditions

### Ambient conditions

Degree of protection	IP54
	IP20
Min. degree of protection of inst. location	IP54
Ambient temperature (operation)	-20 °C ... 55 °C
Ambient temperature (storage/transport)	-40 °C ... 70 °C
Max. permissible humidity (storage/transport)	75 % (on average, 85% infrequently, non-condensing)
Max. permissible relative humidity (operation)	75 % (on average, 85% infrequently, non-condensing)

## Standards and regulations

### Air clearances and creepage distances between the power circuits

Standards/regulations	DIN EN 50178/VDE 0160
-----------------------	-----------------------

## Mounting

Mounting type	DIN rail mounting
Assembly instructions	in rows with zero spacing
Mounting position	any

# PSR-SCP- 24UC/ESD/4X1/1X2/600 - Safety relays

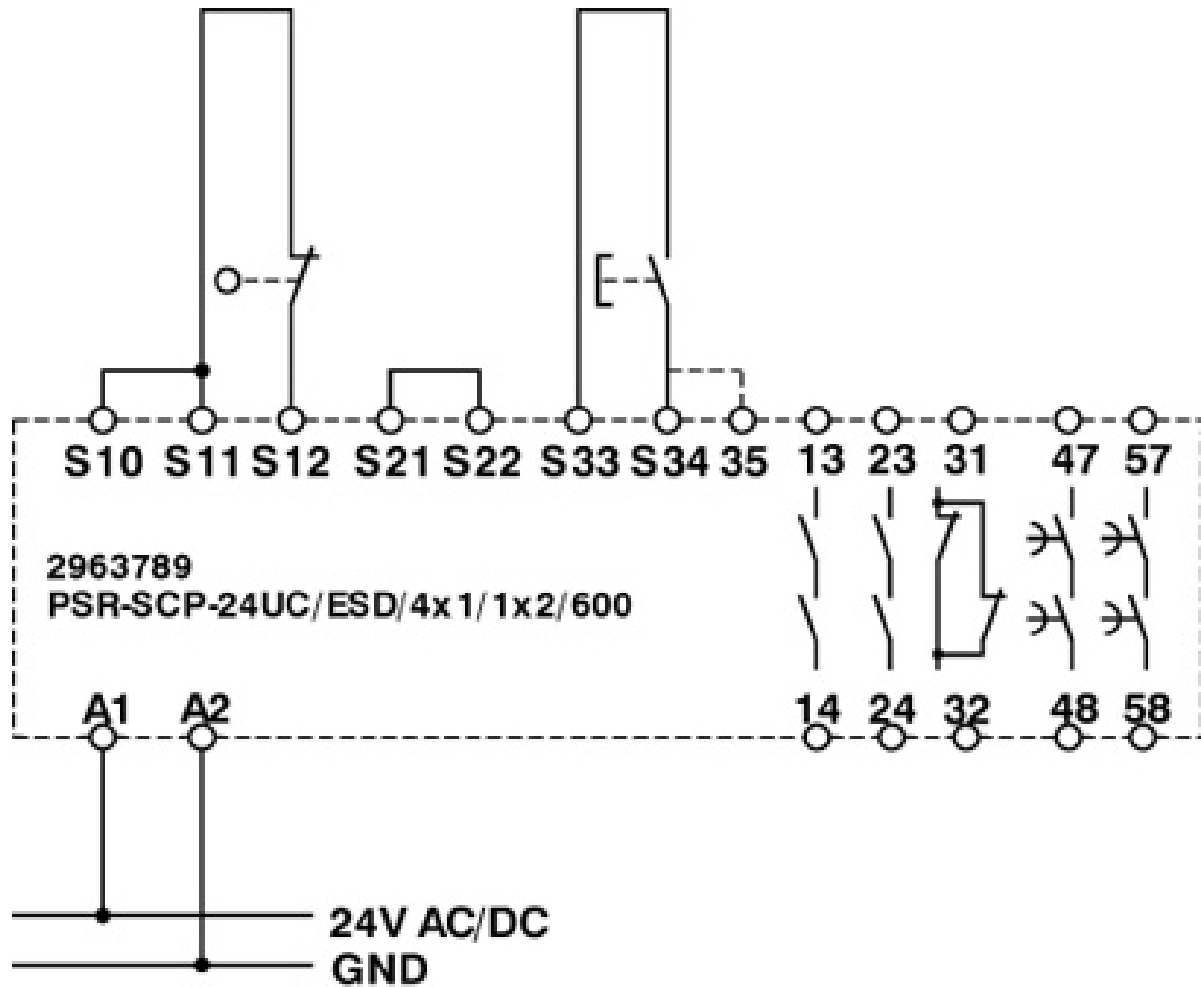


2963789

<https://www.phoenixcontact.com/us/products/2963789>

## Drawings

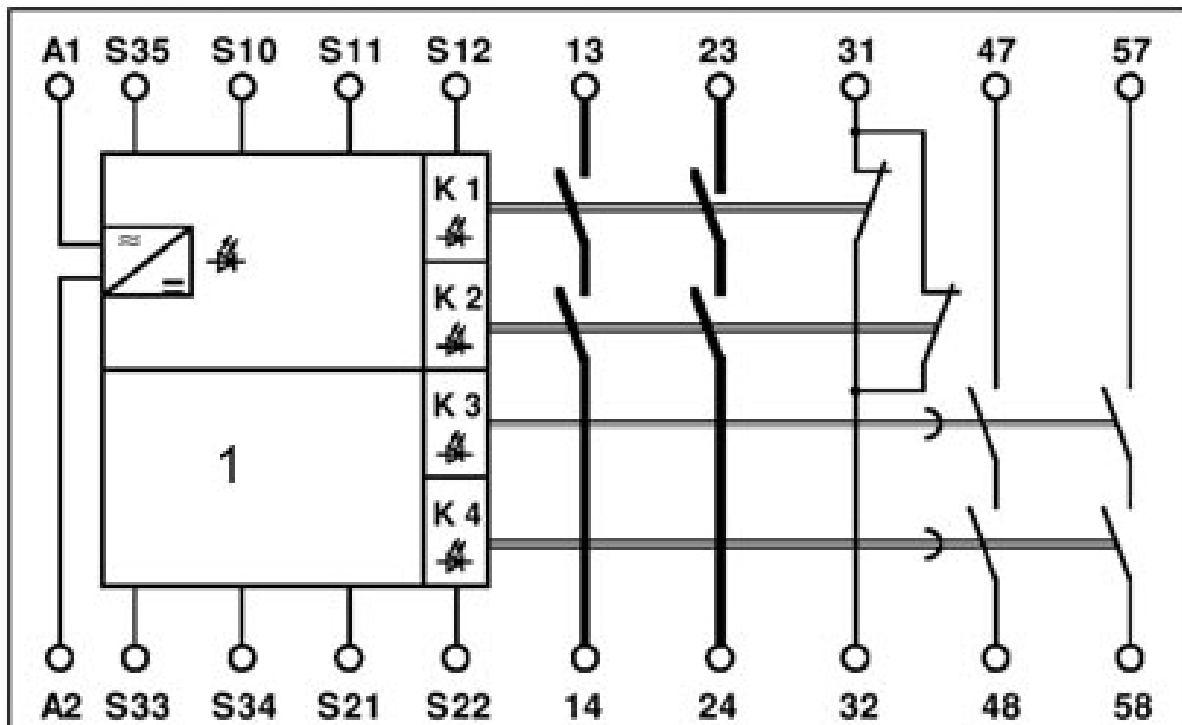
Circuit diagram



2963789

<https://www.phoenixcontact.com/us/products/2963789>

Circuit diagram



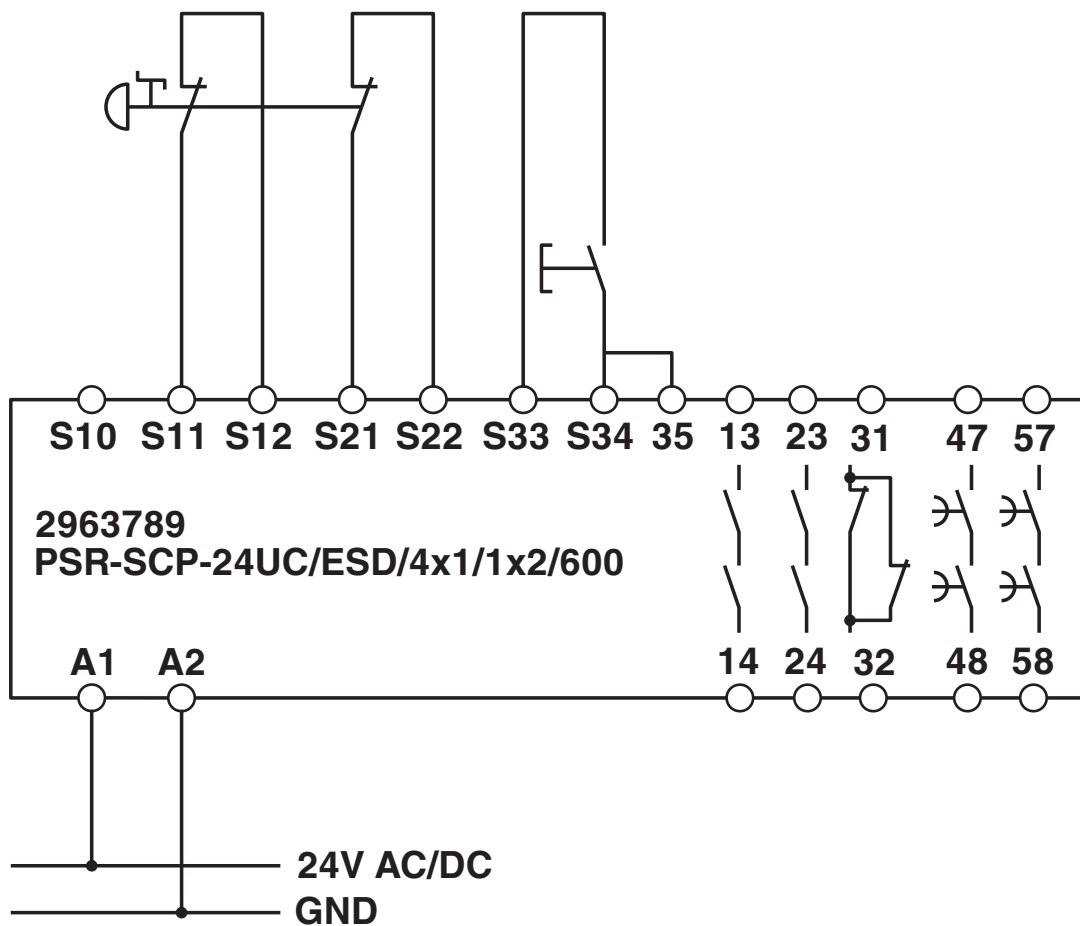
# PSR-SCP- 24UC/ESD/4X1/1X2/600 - Safety relays



2963789

<https://www.phoenixcontact.com/us/products/2963789>

Circuit diagram



Phoenix Contact 2024 © - all rights reserved  
<https://www.phoenixcontact.com>

Phoenix Contact USA  
586 Fulling Mill Road  
Middletown, PA 17057, United States  
(+717) 944-1300  
[info@phoenixcon.com](mailto:info@phoenixcon.com)