

PSR-SCP- 24UC/THC4/2X1/1X2 - Safety relays



2963721

<https://www.phoenixcontact.com/us/products/2963721>

Please be informed that the data shown in this PDF document is generated from our online catalog. Please find the complete data in the user documentation. Our general terms of use for downloads are valid.



Safety relay for two-hand control devices in accordance with ISO 13851 type IIIC to SIL 3 or Cat. 4, PL e in accordance with EN ISO 13849, synchronous activation monitoring < 0.5 s, 2 N/O contacts, 1 N/C contact, safe isolation, width: 22.5 mm, pluggable screw terminal block

Your advantages

- For two-hand controls in accordance with ISO 13851 type IIIC
- Up to Cat. 4/PL e in accordance with ISO 13849-1, SIL 3 in accordance with EN IEC 62061, SIL 3 in accordance with IEC 61508
- 2 channel control
- Synchronous activation monitoring < 0.5 s
- Automatic activation
- Two enabling and one signaling current path

Commercial data

Item number	2963721
Packing unit	1 pc
Minimum order quantity	1 pc
Sales key	DN01
Product key	DNA141
Catalog page	Page 231 (C-6-2019)
GTIN	4017918818692
Weight per piece (including packing)	219.7 g
Weight per piece (excluding packing)	193.3 g
Customs tariff number	85371098
Country of origin	DE

PSR-SCP- 24UC/THC4/2X1/1X2 - Safety relays



2963721

<https://www.phoenixcontact.com/us/products/2963721>

Technical data

Product properties

Product type	Safety relays
Product family	PSRclassic
Application	Two-hand control Safety door
Mechanical service life	approx. 10^7 cycles
Relay type	Electromechanical relay with force-guided contacts in accordance with IEC/EN 61810-3

Electrical properties

Maximum power dissipation for nominal condition	1.44 W
Nominal operating mode	100% operating factor

Air clearances and creepage distances between the power circuits

Rated insulation voltage	250 V
Rated surge voltage/insulation	6 kV / Safe isolation, increased insulation

Input data

General

Nominal input voltage U_N	24 V AC/DC
Input voltage range	20.4 V AC/DC ... 26.4 V AC/DC
Input voltage range in reference to U_N	0.85 ... 1.1
Typical input current at U_N	125 mA AC 60 mA DC
Voltage at input/start and feedback circuit	approx. 24 V DC
Typical response time	50 ms
Typical release time	20 ms
Concurrence	< 0.5 s
Recovery time	1 s
Protective circuit	Fuse; PTC resistor Surge protection; Suppressor diode
Operating voltage display	Green LED
Status display	Green LED

Output data

Contact switching type	2 enabling current paths 1 signaling current path
Contact material	AgSnO ₂ , + 0.2 μm Au
Maximum switching voltage	250 V AC/DC
Minimum switching voltage	15 V AC/DC
Limiting continuous current	6 A (N/O contact) 5 A (N/C contact)

PSR-SCP- 24UC/THC4/2X1/1X2 - Safety relays



2963721

<https://www.phoenixcontact.com/us/products/2963721>

Maximum inrush current	6 A
Inrush current, minimum	25 mA
Interrupting rating (ohmic load) max.	144 W (24 V DC, $\tau = 0$ ms)
	288 W (48 V DC, $\tau = 0$ ms)
	110 W (110 V DC, $\tau = 0$ ms)
	88 W (220 V DC, $\tau = 0$ ms)
	1500 VA (250 V AC, $\tau = 0$ ms)
Maximum interrupting rating (inductive load)	42 W (24 V DC, $\tau = 40$ ms)
	42 W (48 V DC, $\tau = 40$ ms)
	42 W (110 V DC, $\tau = 40$ ms)
	42 W (220 V DC, $\tau = 40$ ms)
Switching capacity min.	0.4 W
Switching capacity (360/h cycles)	4 A (24 V DC)
	4 A (230 V AC)
Switching capacity (3600/h cycles)	2.5 A (24 V (DC13))
	3 A (230 V (AC15))
Output fuse	10 A gL/gG NEOZED (N/O contact)
	6 A gL/gG NEOZED (N/C contact)

Relay

Output description	safety-related N/O contacts
Number of outputs	2

Connection data

Connection technology

pluggable	yes
-----------	-----

Conductor connection

Connection method	Screw connection
Conductor cross section rigid	0.2 mm ² ... 2.5 mm ²
Conductor cross section flexible	0.2 mm ² ... 2.5 mm ²
Conductor cross-section AWG	24 ... 12
Stripping length	7 mm
Screw thread	M3

Dimensions

Width	22.5 mm
Height	99 mm
Depth	114.5 mm

Material specifications

Color (Housing)	yellow (RAL 1018)
Housing material	Polyamide

Characteristics

PSR-SCP- 24UC/THC4/2X1/1X2 - Safety relays



2963721

<https://www.phoenixcontact.com/us/products/2963721>

Safety data

Stop category	0
Type class	IIIC

Safety data: EN ISO 13849

Category	4
Performance level (PL)	e

Safety data: IEC 61508 - High demand

Safety Integrity Level (SIL)	3
------------------------------	---

Safety data: IEC 61508 - Low demand

Safety Integrity Level (SIL)	3
------------------------------	---

Safety data: EN IEC 62061

Safety Integrity Level (SIL)	3
------------------------------	---

Environmental and real-life conditions

Ambient conditions

Degree of protection	IP20
Min. degree of protection of inst. location	IP54
Ambient temperature (operation)	-20 °C ... 55 °C
Ambient temperature (storage/transport)	-40 °C ... 70 °C
Maximum altitude	max. 2000 m (Above sea level)
Max. permissible humidity (storage/transport)	75 % (on average, 85% infrequently, non-condensing)
Max. permissible relative humidity (operation)	75 % (on average, 85% infrequently, non-condensing)
Shock	15g
Vibration (operation)	10 Hz ... 150 Hz, 2g

Approvals

Conformity/Approvals

Conformance	CE-compliant
-------------	--------------

Standards and regulations

Air clearances and creepage distances between the power circuits

Standards/regulations	IEC 60664-1
-----------------------	-------------

Mounting

Mounting type	DIN rail mounting
Mounting position	any

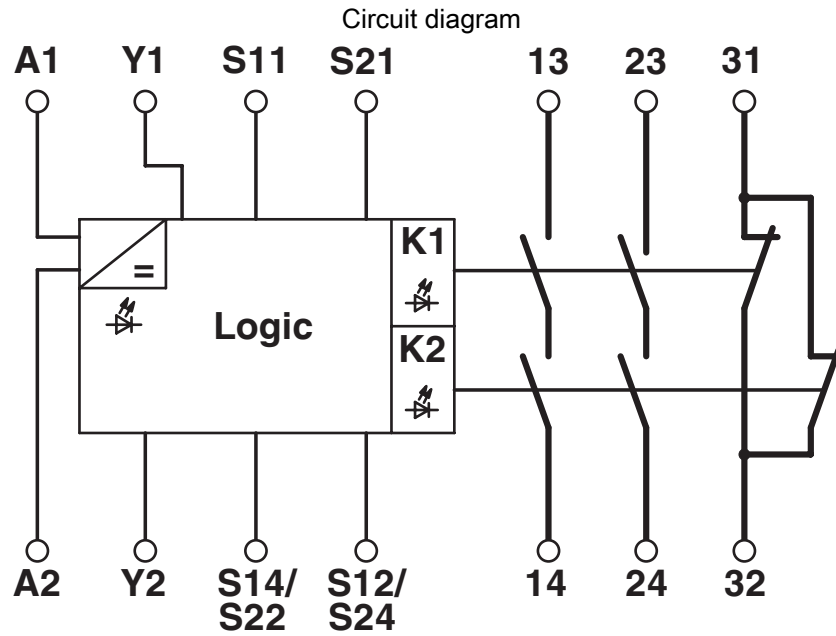
PSR-SCP- 24UC/THC4/2X1/1X2 - Safety relays



2963721

<https://www.phoenixcontact.com/us/products/2963721>

Drawings



PSR-SCP- 24UC/THC4/2X1/1X2 - Safety relays



2963721

<https://www.phoenixcontact.com/us/products/2963721>

Approvals

To download certificates, visit the product detail page: <https://www.phoenixcontact.com/us/products/2963721>



EAC

Approval ID: TR_TS_D_00573_c



UL Listed

Approval ID: FILE E 140324



cUL Listed

Approval ID: FILE E 140324



Functional Safety

Approval ID: 01/205/0542.04/23



Functional Safety

Approval ID: 968/EZ 346.04/23

cULus Listed

PSR-SCP- 24UC/THC4/2X1/1X2 - Safety relays



2963721

<https://www.phoenixcontact.com/us/products/2963721>

Classifications

ECLASS

ECLASS-11.0	27371821
ECLASS-13.0	27371821
ECLASS-12.0	27371821

ETIM

ETIM 9.0	EC001452
----------	----------

UNSPSC

UNSPSC 21.0	39121100
-------------	----------

PSR-SCP- 24UC/THC4/2X1/1X2 - Safety relays



2963721

<https://www.phoenixcontact.com/us/products/2963721>

Environmental product compliance

REACH SVHC	Lead 7439-92-1
China RoHS	Environmentally Friendly Use Period = 50 years
	For information on hazardous substances, refer to the manufacturer's declaration available under "Downloads"

Phoenix Contact 2024 © - all rights reserved

<https://www.phoenixcontact.com>

Phoenix Contact USA
586 Fulling Mill Road
Middletown, PA 17057, United States
(+717) 944-1300
info@phoenixcon.com