

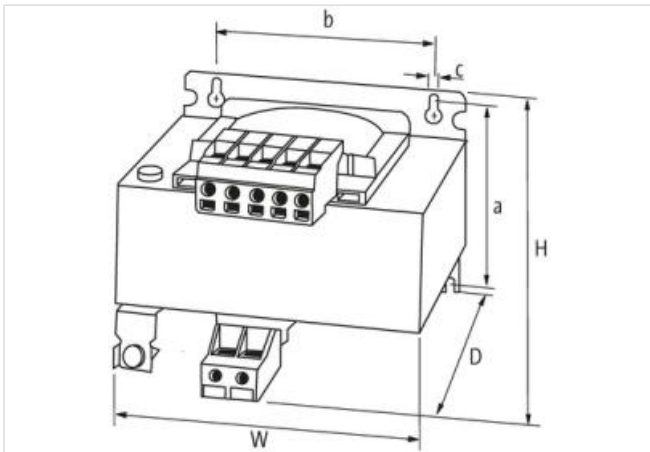
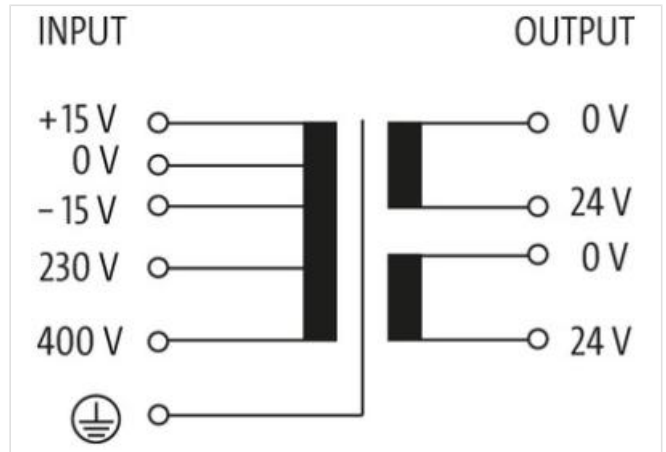
MST 1-PHASE SAFETY TRANSFORMER

P: 1600VA IN: 230/400VAC+-15VAC OUT:2x24VAC

Single-phase safety transformer
 1600 VA
 Isolation class T 40/B
 Condensation not permitted

[Link to Product](#)

Illustration



Product may differ from Image



Commercial data

ECLASS-6.0	27031302
ECLASS-6.1	27031302
ECLASS-7.0	27031302
ECLASS-8.0	27031302
ECLASS-9.0	27031302
ECLASS-10.1	27031302

ECLASS-11.1	27031302
ECLASS-12.0	27031302
ETIM-5.0	EC002486
customs tariff number	85043200
GTIN	4048879366816
Packaging unit	1

Electrical data | Supply

Power frequency	50 ... 60 Hz
-----------------	--------------

Electrical data | Input

Input voltage 1 AC	230 V
Input voltage 1 AC min.	195,5 V
Input voltage 1 AC max.	264,5 V
Input voltage 2 AC	400 V
Input voltage 2 AC min.	340 V
Input voltage 2 AC max.	460 V
Input current at input voltage 1 AC	7,3 A
Input current at input voltage 2 AC	4,2 A
Inrush current at input voltage 1	135 A
Inrush current at input voltage 2	69 A
Short-circuit current at input voltage 1	275 A
Short-circuit current at input voltage 2	163 A

Electrical data | Output

Output voltage	1 × 24 / 1 × 48 / 2 × 24 V AC
Output voltage AC 1	48 V
Output voltage AC 2	24 V
Output voltage adjustable	yes
Power rating AC max.	1600 VA

Device protection | Electrical

Insulation test voltage input - output	5,8 kV
--	--------

Mechanical data | Mounting data

Suitable for mounting type	Schlüssellochaufhängung
Mounting dimension a	141,5 mm
Mounting dimension b	135 mm
Mounting dimension c	7 mm
Height	168 mm
Width	174 mm
Depth	222 mm
Diameter bore	7 mm
Length bore	11 mm

Environmental characteristics | Climatic

Operating temperature min.	-20 °C
Operating temperature max.	40 °C

Conformity

Product standard	EN 61558-1, EN 61558-2-4, EN 62041 category 0
------------------	---

Connection type 3

Connection type 1	Input
Connection type 2	Output
Connection	Screw terminals SK
Family construction form	terminal
Gender	female
No. of poles	5

PIN 1	+ 15 V
PIN 3	- 15 V
PIN 4	230 V
PIN 5	400 V
Connection	Screw terminals SK
Family construction form	terminal
Gender	female
No. of poles	4
PIN 1	1
PIN 2	2
PIN 3	3
PIN 4	4
Connection	Screw terminals SK
Family construction form	terminal
Gender	female
Color contact carrier	metallic
No. of poles	1
PIN 1	PE