

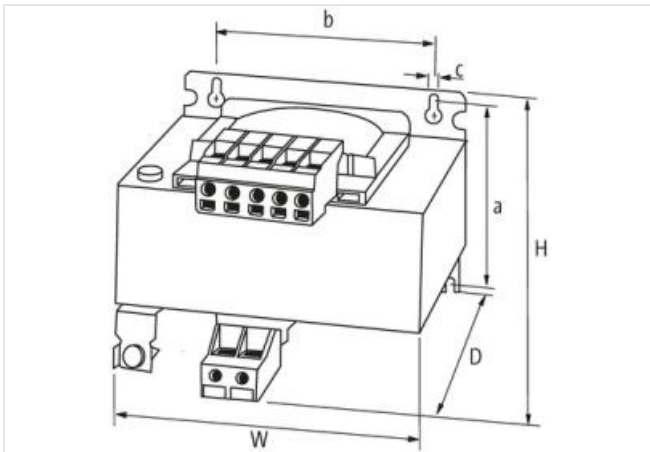
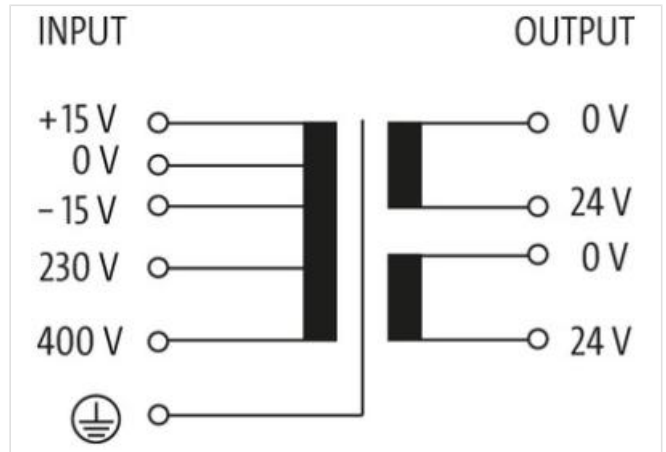
### MST 1-PHASE SAFETY TRANSFORMER

P: 1000VA IN: 230/400VAC +-15VAC OUT: 2x24VAC

Single-phase safety transformer  
 1000 VA  
 Isolation class T 40/B  
 Condensation not permitted

[Link to Product](#)

**Illustration**



Product may differ from Image



**Commercial data**

ECLASS-6.0	27031302
ECLASS-6.1	27031302
ECLASS-7.0	27031302
ECLASS-8.0	27031302
ECLASS-9.0	27031302
ECLASS-10.1	27031302

ECLASS-11.1	27031302
ECLASS-12.0	27031302
ETIM-5.0	EC002486
customs tariff number	85043180
GTIN	4048879366526
Packaging unit	1

**Electrical data | Supply**

Power frequency	50 ... 60 Hz
-----------------	--------------

**Electrical data | Input**

Input voltage 1 AC	230 V
Input voltage 1 AC min.	195,5 V
Input voltage 1 AC max.	264,5 V
Input voltage 2 AC	400 V
Input voltage 2 AC min.	340 V
Input voltage 2 AC max.	460 V
Input current at input voltage 1 AC	4,6 A
Input current at input voltage 2 AC	2,6 A
Inrush current at input voltage 1	83 A
Inrush current at input voltage 2	42 A
Short-circuit current at input voltage 1	147 A
Short-circuit current at input voltage 2	86 A

**Electrical data | Output**

Output voltage	1 × 24 / 1 × 48 / 2 × 24 V AC
Output voltage AC 1	48 V
Output voltage AC 2	24 V
Output voltage adjustable	yes
Power rating AC max.	1000 VA

**Device protection | Electrical**

Insulation test voltage input - output	5,8 kV
----------------------------------------	--------

**Mechanical data | Mounting data**

Suitable for mounting type	Schlüssellochauhängung
Mounting dimension a	134 mm
Mounting dimension b	122 mm
Mounting dimension c	7 mm
Height	156 mm
Width	150 mm
Depth	197 mm
Diameter bore	7 mm
Length bore	11 mm

**Environmental characteristics | Climatic**

Operating temperature min.	-20 °C
Operating temperature max.	40 °C

**Conformity**

Product standard	EN 61558-1, EN 61558-2-4, EN 62041 category 0
------------------	-----------------------------------------------

**Connection type 3**

Connection type 1	Input
Connection type 2	Output
Connection	Screw terminals SK
Family construction form	terminal
Gender	female
No. of poles	5

PIN 1	+ 15 V
PIN 3	- 15 V
PIN 4	230 V
PIN 5	400 V
Connection	Screw terminals SK
Family construction form	terminal
Gender	female
No. of poles	4
PIN 1	1
PIN 2	2
PIN 3	3
PIN 4	4
Connection	Screw terminals SK
Family construction form	terminal
Gender	female
Color contact carrier	metallic
No. of poles	1
PIN 1	PE