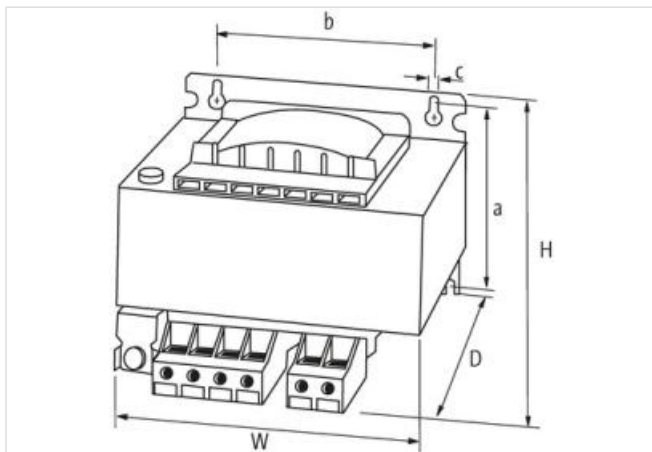
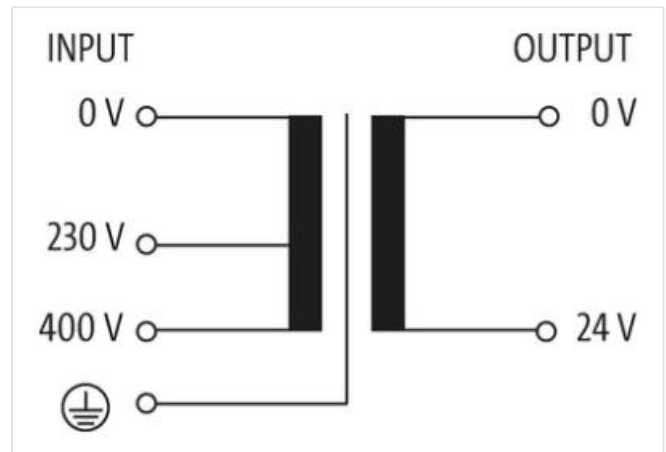


**MST 1-PHASE SAFETY TRANSFORMER**

P: 800VA IN: 230/400VAC OUT: 24VAC

Single-phase safety transformer  
800 VA  
Isolation class T 40/B  
Other voltages on request.

[Link to Product](#)**Illustration**

Product may differ from Image

**Commercial data**

ECLASS-6.0	27031302
ECLASS-6.1	27031302
ECLASS-7.0	27031302
ECLASS-8.0	27031302
ECLASS-9.0	27031302
ECLASS-10.1	27031302

ECLASS-11.1	27031302
ECLASS-12.0	27031302
ETIM-5.0	EC002486
customs tariff number	85043180
GTIN	4048879078573
Packaging unit	1
<b>Electrical data</b>	
Security level	SELV
<b>Electrical data   Supply</b>	
Power frequency	50 ... 60 Hz
<b>Electrical data   Input</b>	
Input voltage 2 AC	230 V
Input voltage 3 AC	400 V
Input voltage AC	110 V
Input current at input voltage 2 AC	3,5 A
Input current at input voltage 3 AC	2 A
Inrush current at input voltage 2	50 A
Inrush current at input voltage 3	29 A
Short-circuit current	219 A
<b>Electrical data   Output</b>	
Output voltage AC	24 V
Output voltage adjustable	no
Power rating AC max.	800 VA
<b>Device protection   Electrical</b>	
Insulation test voltage input - output	4 kV
<b>Mechanical data   Mounting data</b>	
Suitable for mounting type	Schlüssellochauhängung
Mounting dimension a	107,5 mm
Mounting dimension b	122 mm
Mounting dimension c	7 mm
Height	136,3 mm
Width	150 mm
Depth	149 mm
Diameter bore	7 mm
Length bore	11 mm
<b>Environmental characteristics   Climatic</b>	
Operating temperature min.	-20 °C
Operating temperature max.	40 °C
Storage temperature min.	-40 °C
Storage temperature max.	80 °C
<b>Conformity</b>	
Product standard	EN 61558-2-4, EN 61558-2-6, EN 62041 category 0
<b>Connection type 3</b>	
Connection type 1	Input
Connection type 2	Output
Connection	Screw terminals SK
Family construction form	terminal
Gender	female
No. of poles	3
PIN 2	230 V
PIN 3	400 V

Connection	Screw terminals SK
Family construction form	terminal
Gender	female
No. of poles	2
PIN 2	24 V DC
Connection	Screw terminals SK
Family construction form	terminal
Gender	female
Color contact carrier	metallic
No. of poles	1
PIN 1	PE