

PSR-SCP- 24DC/RSM4/4X1 - Safety relay module



2981538

<https://www.phoenixcontact.com/us/products/2981538>

Please be informed that the data shown in this PDF document is generated from our online catalog. Please find the complete data in the user documentation. Our general terms of use for downloads are valid.



2-channel over-speed and zero-speed safety relay up to SIL 3 or Cat. 4, PL e in accordance with EN ISO 13849, 4 N/O contacts, suitable for connecting incremental encoders and initiators, plug-in screw terminal blocks, width: 45 mm

Your advantages

- Easy configuration via software (PSR-RSM4)
- Up to SIL 3 in accordance with IEC 61508
- Standard sensors can be connected

Commercial data

Item number	2981538
Packing unit	1 pc
Sales key	DN01
Product key	DNA242
Catalog page	Page 244 (C-6-2019)
GTIN	4017918996826
Weight per piece (including packing)	370.1 g
Weight per piece (excluding packing)	365 g
Customs tariff number	90328900
Country of origin	DE

Technical data

Product properties

Product type	Safety device
Application	Over-speed safety relay
	Zero-speed safety relay
Mechanical service life	> 50x 10 ⁶ cycles
Relay type	Electromechanical relay with force-guided contacts in accordance with IEC/EN 61810-3

Electrical properties

Maximum power dissipation for nominal condition	2.4 W
Nominal operating mode	100% operating factor
Interfaces	Encoder
	Initiator connection

Air clearances and creepage distances between the power circuits

Rated insulation voltage	250 V
	4 kV (Reinforced insulation)

Input data

General

Nominal input voltage U_N	24 V DC
Input voltage range in reference to U_N	0.85 ... 1.1
Typical input current at U_N	100 mA
Voltage at input/start and feedback circuit	approx. 24 V DC
Typical response time	15 ms
Typical release time	12 ms
Recovery time	1 s
Protective circuit	Surge protection; Suppressor diode
Limit frequency	2 kHz (IN1, IN2)
	400 kHz (RJ45)
Status display	Green LED

Output data

Contact switching type	4 enabling current paths
Contact material	AgNi10, + 5 μ m Au
Maximum switching voltage	250 V AC/DC (when the gold layer is destroyed)
	60 V AC/DC (with gold layer existing)
Minimum switching voltage	100 mV AC/DC
Limiting continuous current	5 A
	100 mA (alarm outputs)
Maximum inrush current	6 A
Inrush current, minimum	1 mA

PSR-SCP- 24DC/RSM4/4X1 - Safety relay module



2981538

<https://www.phoenixcontact.com/us/products/2981538>

Sq. Total current	42.25 A ² ($I_{TH}^2 = I_1^2 + I_2^2 + I_3^2 + I_4^2$)
Interrupting rating (ohmic load) max.	67 W (24 V DC, $\tau = 0$ ms)
	36 W (48 V DC, $\tau = 0$ ms)
	43 MW (110 V DC, $\tau = 0$ ms)
	68 MW (220 V DC, $\tau = 0$ ms)
Switching capacity min.	1 mW
Switching capacity (3600/h cycles)	2 A (24 V (DC13))
	3 A (230 V (AC15))
Output fuse	6 A gL
Clock/signal	
Number of outputs	4

Connection data

Connection technology

pluggable	yes
-----------	-----

Conductor connection

Connection method	Screw connection
Conductor cross section rigid	0.2 mm ² ... 2.5 mm ²
Conductor cross section flexible	0.2 mm ² ... 2.5 mm ²
Conductor cross-section AWG	24 ... 12
Stripping length	7 mm
Screw thread	M3

Dimensions

Width	45 mm
Height	99 mm
Depth	114.5 mm

Material specifications

Color	yellow
Housing material	Polyamide

Characteristics

Safety data

Stop category	0
---------------	---

Safety data: EN ISO 13849

Category	4
Performance level (PL)	e

Safety data: IEC 61508 - High demand

Safety Integrity Level (SIL)	3
------------------------------	---

Safety data: IEC 61508 - Low demand

Safety Integrity Level (SIL)	3
------------------------------	---

Safety data

Safety Integrity Level (SIL)	3
------------------------------	---

Environmental and real-life conditions

Ambient conditions

Degree of protection	IP20
Min. degree of protection of inst. location	IP54
Ambient temperature (operation)	-20 °C ... 55 °C
Ambient temperature (storage/transport)	-40 °C ... 70 °C
Maximum altitude	max. 2000 m (Above sea level)
Max. permissible humidity (storage/transport)	75 % (on average, 85% infrequently, non-condensing)
Max. permissible relative humidity (operation)	75 % (on average, 85% infrequently, non-condensing)

Standards and regulations

Air clearances and creepage distances between the power circuits

Standards/regulations	DIN EN 60664-1
-----------------------	----------------

Mounting

Mounting type	DIN rail mounting
Assembly instructions	in rows with zero spacing
Mounting position	any

PSR-SCP- 24DC/RSM4/4X1 - Safety relay module

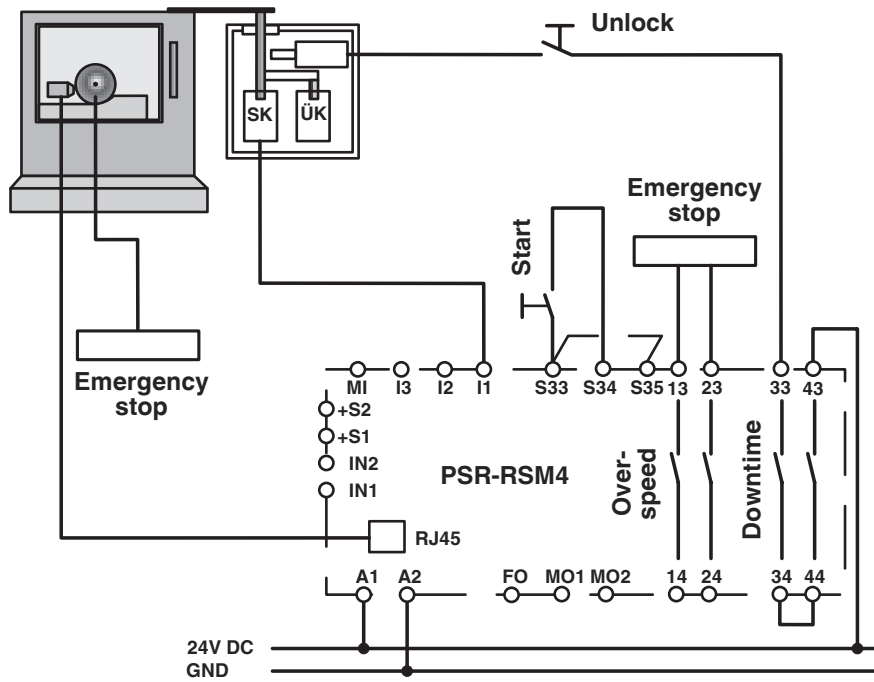


2981538

<https://www.phoenixcontact.com/us/products/2981538>

Drawings

Diagram



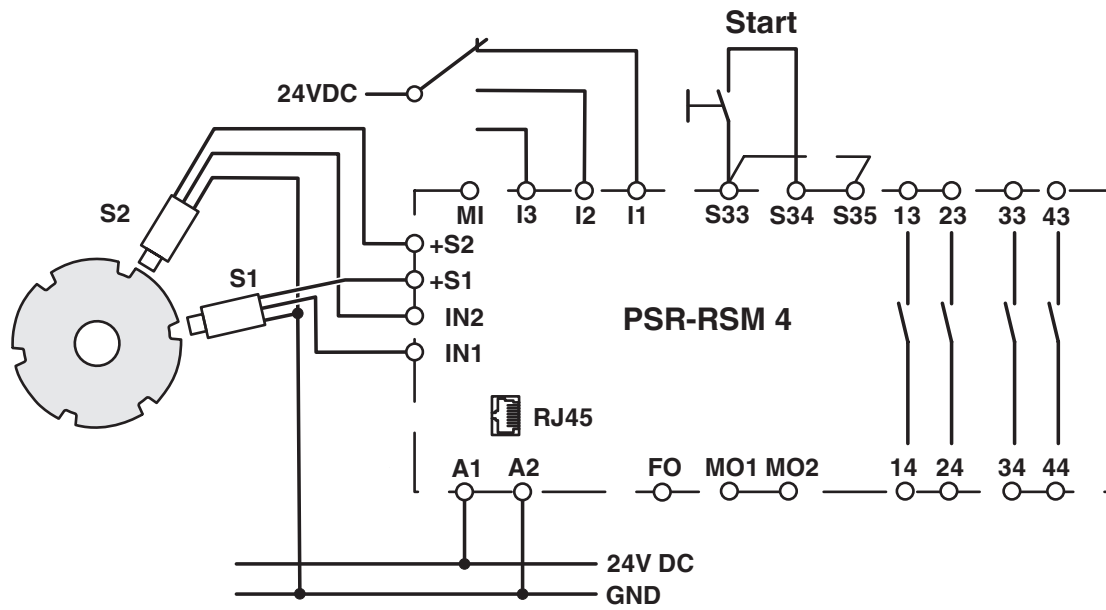
PSR-SCP- 24DC/RSM4/4X1 - Safety relay module



2981538

<https://www.phoenixcontact.com/us/products/2981538>

Circuit diagram

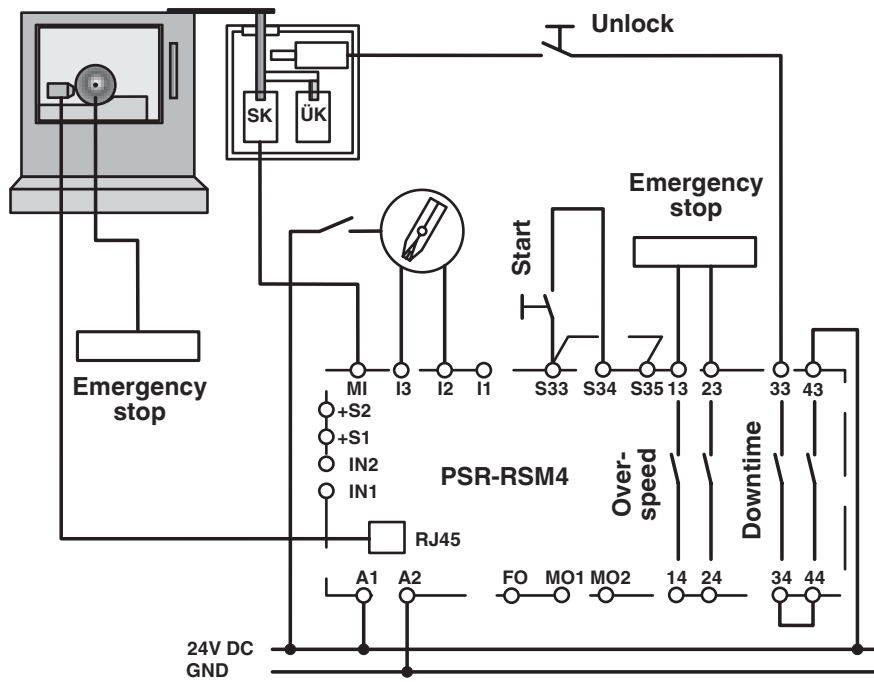


PSR-SCP- 24DC/RSM4/4X1 - Safety relay module

2981538

<https://www.phoenixcontact.com/us/products/2981538>

Diagram



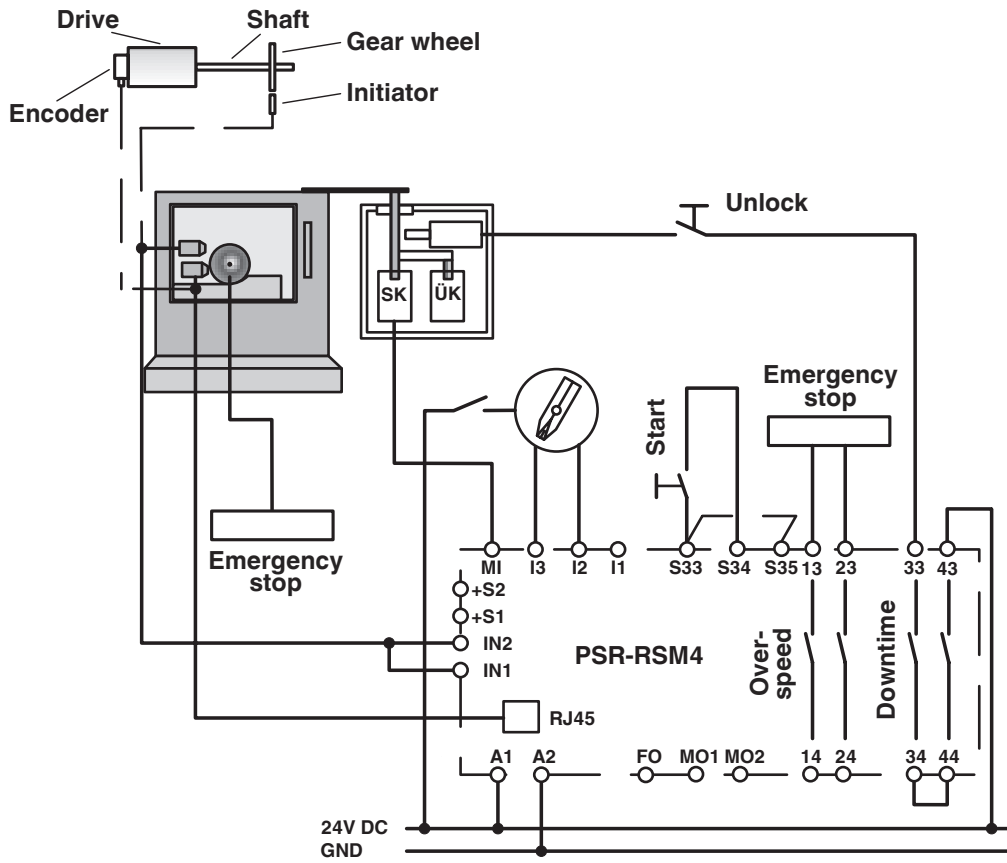
PSR-SCP- 24DC/RSM4/4X1 - Safety relay module



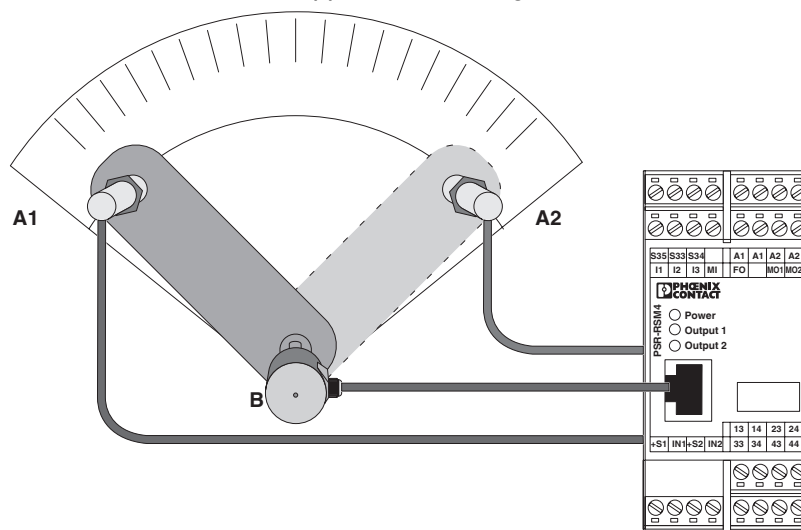
2981538

<https://www.phoenixcontact.com/us/products/2981538>

Diagram



Application drawing

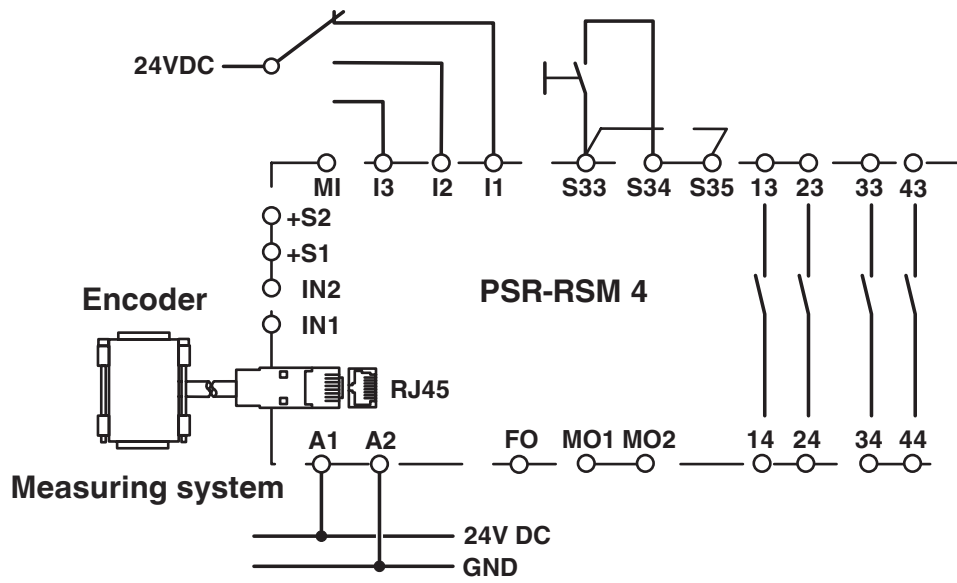


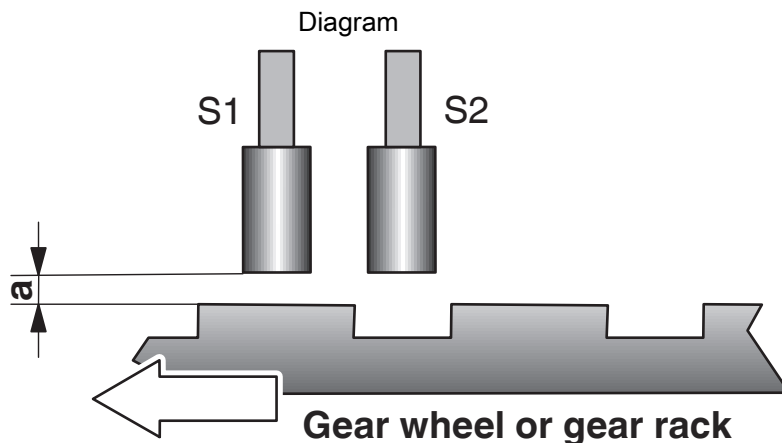
PSR-SCP- 24DC/RSM4/4X1 - Safety relay module

2981538

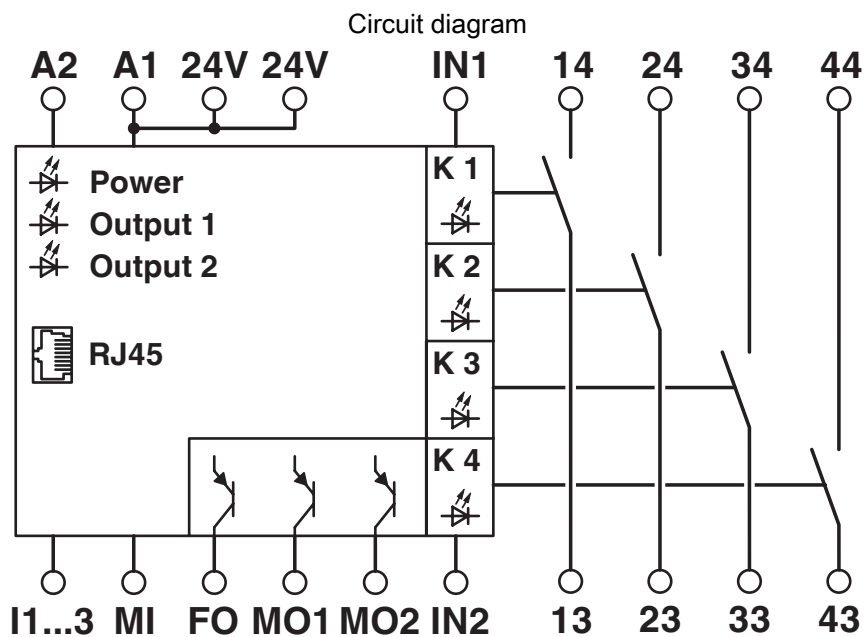
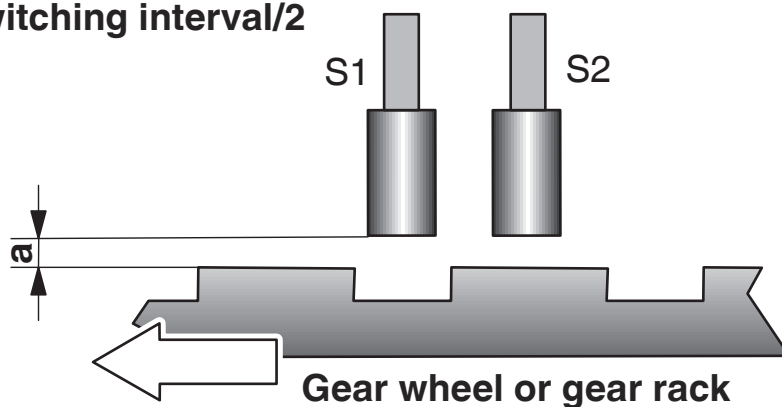
<https://www.phoenixcontact.com/us/products/2981538>

Diagram





$a = \text{Switching interval}/2$



PSR-SCP- 24DC/RSM4/4X1 - Safety relay module



2981538

<https://www.phoenixcontact.com/us/products/2981538>

Approvals

To download certificates, visit the product detail page: <https://www.phoenixcontact.com/us/products/2981538>



EAC

Approval ID: TR TS_D_01838-19



UL Listed

Approval ID: FILE E 140324



cUL Listed

Approval ID: FILE E 140324

Functional Safety

Approval ID: 968/EZ/213/10/22

cULus Listed

PSR-SCP- 24DC/RSM4/4X1 - Safety relay module



2981538

<https://www.phoenixcontact.com/us/products/2981538>

Classifications

ECLASS

ECLASS-11.0	27371811
ECLASS-12.0	27371811
ECLASS-13.0	27371811

ETIM

ETIM 9.0	EC001448
----------	----------

UNSPSC

UNSPSC 21.0	39122300
-------------	----------

PSR-SCP- 24DC/RSM4/4X1 - Safety relay module



2981538

<https://www.phoenixcontact.com/us/products/2981538>

Environmental product compliance

China RoHS	Environmentally Friendly Use Period = 50 years For information on hazardous substances, refer to the manufacturer's declaration available under "Downloads"
------------	--

PSR-SCP- 24DC/RSM4/4X1 - Safety relay module



2981538

<https://www.phoenixcontact.com/us/products/2981538>

Accessories

PSR-CONF-WIN1.0 - Configuration and diagnostic software

2981554

<https://www.phoenixcontact.com/us/products/2981554>



Configuration software for parameterizing the PSR-RSM4 safe downtime and over-speed safety relay, with programming cable

CABLE-25/8/250/RSM/E-SIMO611D - Adapter cable

2901746

<https://www.phoenixcontact.com/us/products/2901746>



Cable adapter for PSR over-speed safety relays (PSR-RSM4 and PSR-MM30), 25/8-pos., cable length: 2.5 m, for controller: Siemens, Heidenhain

PSR-SCP- 24DC/RSM4/4X1 - Safety relay module



2981538

<https://www.phoenixcontact.com/us/products/2981538>

CABLE-15/8/250/RSM/INDEL - Adapter cable

2902338

<https://www.phoenixcontact.com/us/products/2902338>

Cable adapter for PSR over-speed safety relays (PSR-RSM4 and PSR-MM30), 15/8-pos., cable length: 2.5 m, for controller: INDEL



CABLE- 9/8/250/RSM/ELAU - Adapter cable

2902984

<https://www.phoenixcontact.com/us/products/2902984>

Cable adapter for PSR over-speed safety relays (PSR-RSM4 and PSR-MM30), 9/8-pos., cable length: 2.5 m, for controller: ELAU



PSR-SCP- 24DC/RSM4/4X1 - Safety relay module



2981538

<https://www.phoenixcontact.com/us/products/2981538>

CABLE-15/8/100/RSM/BM - Adapter cable

2904108

<https://www.phoenixcontact.com/us/products/2904108>

Cable adapter for PSR over-speed safety relays (PSR-RSM4 and PSR-MM30), 15/8-pos., cable length: 1 m, for controller: Baumüller



CABLE-25/8/250/RSM/SIMO611D - Adapter cable

2981583

<https://www.phoenixcontact.com/us/products/2981583>

Cable adapter for PSR over-speed safety relays (PSR-RSM4 and PSR-MM30), 25/8-pos., cable length: 2.5 m, for controller: Siemens, Heidenhain



PSR-SCP- 24DC/RSM4/4X1 - Safety relay module



2981538

<https://www.phoenixcontact.com/us/products/2981538>

CABLE-25/8/250/RSM/ARADEx - Adapter cable

2981596

<https://www.phoenixcontact.com/us/products/2981596>

Cable adapter for PSR over-speed safety relays (PSR-RSM4 and PSR-MM30), 25/8-pos., cable length: 2.5 m, for controller: Aradex



CABLE-15/8/250/RSM/SIMO611D - Adapter cable

2981606

<https://www.phoenixcontact.com/us/products/2981606>

Cable adapter for PSR over-speed safety relays (PSR-RSM4 and PSR-MM30), 15/8-pos., cable length: 2.5 m, for controller: Siemens, Heidenhain



PSR-SCP- 24DC/RSM4/4X1 - Safety relay module



2981538

<https://www.phoenixcontact.com/us/products/2981538>

CABLE-15/8/250/RSM/MHD/G - Adapter cable

2981619

<https://www.phoenixcontact.com/us/products/2981619>

Cable adapter for PSR over-speed safety relays (PSR-RSM4 and PSR-MM30), 15/8-pos., cable length: 2.5 m, for controller: Indramat



CABLE-15/8/250/RSM/SIN800 - Adapter cable

2981622

<https://www.phoenixcontact.com/us/products/2981622>

Cable adapter for PSR over-speed safety relays (PSR-RSM4 and PSR-MM30), 15/8-pos., cable length: 2.5 m, for controller: Siemens



PSR-SCP- 24DC/RSM4/4X1 - Safety relay module



2981538

<https://www.phoenixcontact.com/us/products/2981538>

CABLE-15/8/250/RSM/FM-NC - Adapter cable

2981635

<https://www.phoenixcontact.com/us/products/2981635>

Cable adapter for PSR over-speed safety relays (PSR-RSM4 and PSR-MM30), 15/8-pos., cable length: 2.5 m, for controller: Siemens



CABLE-15/8/250/RSM/DKC - Adapter cable

2981648

<https://www.phoenixcontact.com/us/products/2981648>

Cable adapter for PSR over-speed safety relays (PSR-RSM4 and PSR-MM30), 15/8-pos., cable length: 2.5 m, for controller: Indramat



PSR-SCP- 24DC/RSM4/4X1 - Safety relay module



2981538

<https://www.phoenixcontact.com/us/products/2981538>

CABLE-15/8/250/RSM/AMK - Adapter cable

2981651

<https://www.phoenixcontact.com/us/products/2981651>

Cable adapter for PSR over-speed safety relays (PSR-RSM4 and PSR-MM30), 15/8-pos., cable length: 2.5 m, for controller: AMK



CABLE-15/8/250/RSM/SEW-X15 - Adapter cable

2981664

<https://www.phoenixcontact.com/us/products/2981664>

Cable adapter for PSR over-speed safety relays (PSR-RSM4 and PSR-MM30), 15/8-pos., cable length: 2.5 m, for controller: SEW



PSR-SCP- 24DC/RSM4/4X1 - Safety relay module



2981538

<https://www.phoenixcontact.com/us/products/2981538>

CABLE-15/8/250/RSM/PD - Adapter cable

2981758

<https://www.phoenixcontact.com/us/products/2981758>

Cable adapter for PSR over-speed safety relays (PSR-RSM4 and PSR-MM30), 15/8-pos., cable length: 2.5 m, for controller: Parker Drives



CABLE- 9/8/250/RSM/LENZE - Adapter cable

2981826

<https://www.phoenixcontact.com/us/products/2981826>

Cable adapter for PSR over-speed safety relays (PSR-RSM4 and PSR-MM30), 9/8-pos., cable length: 2.5 m, for controller: Lenze



PSR-SCP- 24DC/RSM4/4X1 - Safety relay module



2981538

<https://www.phoenixcontact.com/us/products/2981538>

CABLE-15/8/250/RSM/KINETIX - Adapter cable

2986698

<https://www.phoenixcontact.com/us/products/2986698>

Cable adapter for PSR over-speed safety relays (PSR-RSM4 and PSR-MM30), 15/8-pos., cable length: 2.5 m, for controller: Allen-Bradley (Kinetix)



CABLE-15/8/250/RSM/IHDUNI-SP - Adapter cable

2986973

<https://www.phoenixcontact.com/us/products/2986973>

Cable adapter for PSR over-speed safety relays (PSR-RSM4 and PSR-MM30), 15/8-pos., cable length: 2.5 m, for controller: Control Techniques, type: Unidrive SP



PSR-SCP- 24DC/RSM4/4X1 - Safety relay module



2981538

<https://www.phoenixcontact.com/us/products/2981538>

CABLE-15/8/250/RSM/INDRADYN-2 - Adapter cable

2986986

<https://www.phoenixcontact.com/us/products/2986986>

Cable adapter for PSR over-speed safety relays (PSR-RSM4 and PSR-MM30), cable length: 2.5 m, for controller: Bosch Rexroth Indramat, type: IndraDrive - IndraDyn



CABLE-20/8/250/RSM/FANUC - Adapter cable

2986999

<https://www.phoenixcontact.com/us/products/2986999>

Cable adapter for PSR over-speed safety relays (PSR-RSM4 and PSR-MM30), cable length: 2.5 m, for controller: FANUC CN



Phoenix Contact 2024 © - all rights reserved
<https://www.phoenixcontact.com>

Phoenix Contact USA
586 Fulling Mill Road
Middletown, PA 17057, United States
(+717) 944-1300
info@phoenixcon.com