

PSR-PC40-2NO-1DO-24DC-SC - Coupling relay



2700588

<https://www.phoenixcontact.com/us/products/2700588>

Please be informed that the data shown in this PDF document is generated from our online catalog. Please find the complete data in the user documentation. Our general terms of use for downloads are valid.



Coupling relay for SIL 3 high- and low-demand applications, couples digital output signals to the I/O, 2 enabling current paths, 1 digital signal output, safe state off applications, test pulse filter, plug-in screw terminal block

Your advantages

- Up to SIL 3 in accordance with IEC 61508
- Force-guided contacts in accordance with EN 50205
- Easy proof test according to IEC 61508 thanks to integrated signal contact
- Approved for Class I, Zone 2 applications
- Low housing width of just 12.5 mm
- Manually monitored and automatic activation in a single device
- Self-regulation with device-internal lock
- Long service life thanks to filtering of controller test pulses
- 2 enabling current paths, 1 digital signal output
- Couples digital output signals from failsafe controllers to I/O devices (valves, etc.) for electrical isolation and power adaptation
- Corrosion protection through protective coating on the PCB

Commercial data

Item number	2700588
Packing unit	1 pc
Minimum order quantity	1 pc
Sales key	DN01
Product key	DNA182
Catalog page	Page 251 (C-6-2019)
GTIN	4046356916158
Weight per piece (including packing)	207.7 g
Weight per piece (excluding packing)	177.4 g
Customs tariff number	85364900
Country of origin	DE

PSR-PC40-2NO-1DO-24DC-SC - Coupling relay



2700588

<https://www.phoenixcontact.com/us/products/2700588>

Technical data

Notes

Utilization restriction

CCCex note	Use in potentially explosive areas is not permitted in China.
------------	---

Product properties

Product type	Coupling relay
Product family	PSRmini
Application	Safe switch off
	High demand
	Low demand
	Ex
Relay type	Electromechanical relay with force-guided contacts in accordance with IEC/EN 61810-3

Times

Typ. starting time with U_S	< 200 ms (when controlled via A1, automatic start)
Typical release time	< 35 ms (when controlled via A1)
Recovery time	500 ms

Electrical properties

Maximum power dissipation for nominal condition	5.5 W ($I_L^2 = 60 \text{ A}^2$)
Nominal operating mode	100% operating factor

Air clearances and creepage distances between the power circuits

Rated insulation voltage	250 V AC
Rated surge voltage/insulation	Safe isolation, 6 kV reinforced insulation from control circuit, start circuit, signal output to the enabling current paths, 4 kV/basic insulation between the enabling current paths and between all current paths and housing

Supply

Designation	A1/A2
Rated control circuit supply voltage U_S	20.4 V DC ... 26.4 V DC
Rated control circuit supply voltage U_S	24 V DC -15 % / +10 % (A1/A2)
Rated control supply current I_S	typ. 75 mA (depending on load M1 +100 mA)
Power consumption at U_S	typ. 1.8 W
Inrush current	typ. 400 mA ($\Delta t < 100 \mu\text{s}$ at U_S)
Filter time	max. 2 ms (at A1-A2; test pulse width)
	≥ 100 ms (at A1-A2; test pulse rate)
Protective circuit	Serial protection against polarity reversal; 33 V suppressor diode

Input data

Digital: Start circuit (Y1, Y2)

PSR-PC40-2NO-1DO-24DC-SC - Coupling relay



2700588

<https://www.phoenixcontact.com/us/products/2700588>

Number of inputs	2 (Non-safety-related start inputs: Y1/Y2)
Inrush current	< 10 mA
Max. permissible overall conductor resistance	150 Ω
Voltage at input/start and feedback circuit	24 V DC -15 %; +10 %
Current consumption	< 5 mA

Output data

Relay: Enabling current paths (13/14, 23/24)

Output description	2 NO contacts each in series, without delay, floating
Number of outputs	2 (safety-related N/O contacts: 13/14, 23/24)
Contact switching type	2 enabling current paths
Contact material	AgSnO ₂
Switching voltage	min. 12 V AC/DC max. 250 V AC/DC (Observe the load curve)
Switching capacity	min. 60 mW
Inrush current	min. 3 mA max. 6 A
Switching capacity in accordance with IEC 60947-5-1	4 A (24 V (DC13)) 5 A (250 V (AC15))
Limiting continuous current	6 A (High demand) 4 A (Low demand)
Sq. Total current	60 A ² (observe derating)
Switching frequency	max. 0.5 Hz
Mechanical service life	10x 10 ⁶ cycles
Output fuse	6 A gL/gG 4 A gL/gG (for low-demand applications)

Signal: M1

Output description	PNP
Number of outputs	1 (non-safety-related)
Voltage	approx. 22 V DC (U _s - 2 V)
Current	max. 100 mA
Maximum inrush current	500 mA (Δt = 1 ms at U _s)
Short-circuit protection	no
Output fuse	150 mA fast blow

Connection data

Connection technology

pluggable	yes
-----------	-----

Conductor connection

Connection method	Screw connection
Conductor cross section rigid	0.2 mm ² ... 2.5 mm ²
Conductor cross section flexible	0.2 mm ² ... 2.5 mm ²

PSR-PC40-2NO-1DO-24DC-SC - Coupling relay



2700588

<https://www.phoenixcontact.com/us/products/2700588>

Conductor cross-section AWG	24 ... 12
Stripping length	7 mm
Screw thread	M3
Tightening torque	0.5 Nm ... 0.6 Nm

Signaling

Status display	2 x green LEDs
Operating voltage display	1 x yellow LED
Error indication	1 x red LED

Dimensions

Width	12.5 mm
Height	112.2 mm
Depth	114.5 mm

Material specifications

Color (Housing)	yellow (RAL 1018)
Housing material	Polyamide

Characteristics

Safety data

Stop category	0
---------------	---

Safety data: EN 50156

Safety Integrity Level (SIL)	3
------------------------------	---

Safety data: IEC 61508 - High demand

Safety Integrity Level (SIL)	3
------------------------------	---

Safety data: IEC 61508 - Low demand

Safety Integrity Level (SIL)	3
------------------------------	---

Environmental and real-life conditions

Ambient conditions

Degree of protection	IP20
Min. degree of protection of inst. location	IP54
Ambient temperature (operation)	-40 °C ... 70 °C (observe derating)
Ambient temperature (storage/transport)	-40 °C ... 85 °C
Maximum altitude	≤ 2000 m (Above sea level)
Max. permissible humidity (storage/transport)	75 % (on average, 85% infrequently, non-condensing)
Max. permissible relative humidity (operation)	75 % (on average, 85% infrequently, non-condensing)
Shock	15g
Vibration (operation)	10 Hz ... 150 Hz, 2g

Approvals

PSR-PC40-2NO-1DO-24DC-SC - Coupling relay



2700588

<https://www.phoenixcontact.com/us/products/2700588>

ATEX

Identification	Ⓜ II 3G Ex ec nC IIC T4 Gc
Certificate	UL 22 ATEX 2912X

IECEX

Identification	Ex ec nC IIC T4 Gc
Certificate	IECEX UL 22.0037X

UL, USA/Canada

Identification	cULus
Certificate	E140324

UL Ex, USA / Canada

Identification	Class I, Zone 2, AEx nA nC IIC T4 / Ex nA nC IIC Gc T4 X Class I, Div. 2, Groups A, B, C, D, T4
Certificate	E360692

CE

Identification	CE-compliant
----------------	--------------

Environmental simulation test

Identification	G3
Certificate	ISA-S71.04

CCC / China-Ex

Identification	Ex ec nC IIC T4 Gc
Certificate	2022122304115695

DNV

Identification	C, EMC2
Certificate	11253-14 HH

Standards and regulations

Air clearances and creepage distances between the power circuits

Standards/regulations	EN 60664-1, EN 60079-7, EN 60079-15
-----------------------	-------------------------------------

Mounting

Mounting type	DIN rail mounting
Assembly instructions	See derating curve
Mounting position	vertical, horizontal, with front of module upward
Connection method	Screw connection

PSR-PC40-2NO-1DO-24DC-SC - Coupling relay

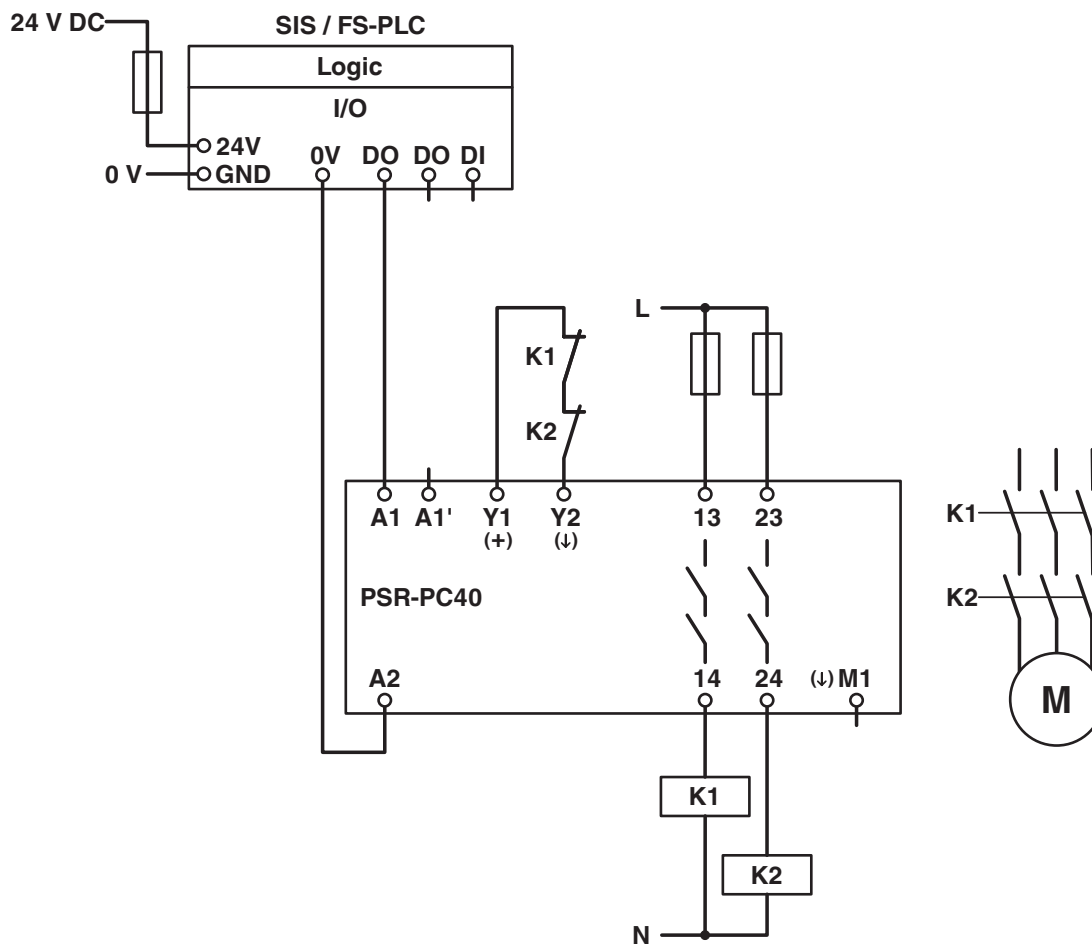


2700588

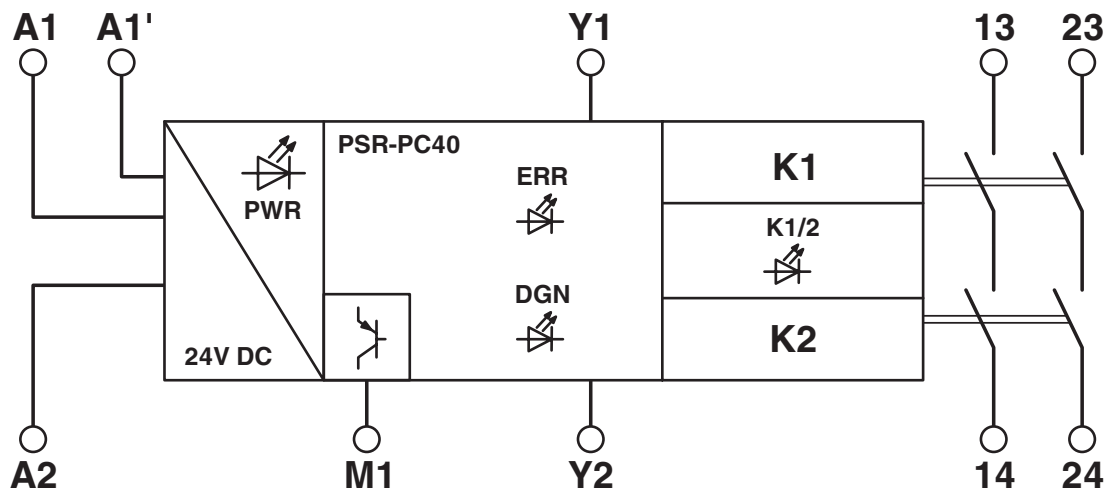
<https://www.phoenixcontact.com/us/products/2700588>

Drawings

Circuit diagram



Block diagram



Block diagram

PSR-PC40-2NO-1DO-24DC-SC - Coupling relay



2700588

<https://www.phoenixcontact.com/us/products/2700588>

Approvals

To download certificates, visit the product detail page: <https://www.phoenixcontact.com/us/products/2700588>



EAC

Approval ID: RU C-DE.A*30.B.01082



DNV GL

Approval ID: TAA00002VZ



UL Listed

Approval ID: FILE E 140324



cUL Listed

Approval ID: FILE E 140324



Functional Safety

Approval ID: 44-780-13755202



Functional Safety

Approval ID: 44-205-13755204



IECEx

Approval ID: IECEx ULD 14.0003 X



cUL Listed

Approval ID: File E 360692



UL Listed

Approval ID: File E 360692



ATEX

Approval ID: DEMKO 14 ATEX 1284 X

cULus Listed

PSR-PC40-2NO-1DO-24DC-SC - Coupling relay

2700588

<https://www.phoenixcontact.com/us/products/2700588>



cULus Listed

PSR-PC40-2NO-1DO-24DC-SC - Coupling relay



2700588

<https://www.phoenixcontact.com/us/products/2700588>

Classifications

ECLASS

ECLASS-11.0	27371819
ECLASS-13.0	27371819
ECLASS-12.0	27371819

ETIM

ETIM 9.0	EC001449
----------	----------

UNSPSC

UNSPSC 21.0	39122200
-------------	----------

PSR-PC40-2NO-1DO-24DC-SC - Coupling relay



2700588

<https://www.phoenixcontact.com/us/products/2700588>

Environmental product compliance

REACH SVHC	Lead 7439-92-1
China RoHS	Environmentally Friendly Use Period = 50 years
	For information on hazardous substances, refer to the manufacturer's declaration available under "Downloads"

Phoenix Contact 2024 © - all rights reserved

<https://www.phoenixcontact.com>

Phoenix Contact USA
586 Fulling Mill Road
Middletown, PA 17057, United States
(+717) 944-1300
info@phoenixcon.com