

PSR-PC20-1NO-1NC-24DC-SC - Coupling relay



2700577

<https://www.phoenixcontact.com/us/products/2700577>

Please be informed that the data shown in this PDF document is generated from our online catalog. Please find the complete data in the user documentation. Our general terms of use for downloads are valid.



Coupling relay for SIL 3 high- and low-demand applications, couples digital output signals to the periphery, 1 enabling current path, 1 confirmation current path, 1 digital signal output, safe state off applications, test pulse filter, TBUS connection, plug-in screw terminal block

Your advantages

- Up to SIL 3 in accordance with IEC 61508
- Force-guided contacts in accordance with EN 50205
- Easy proof test according to IEC 61508 thanks to integrated signal contact
- Approved for Class I, Zone 2 applications
- Low housing width of just 12.5 mm
- Enabling current path protected via internal fuse as an option
- Long service life thanks to filtering of controller test pulses
- 1 enabling current path, 1 digital signal output, 1 diagnostic current path
- Couples digital output signals from failsafe controllers to I/O devices (valves, etc.) for electrical isolation and power adaptation
- Corrosion protection through protective coating on the PCB

Commercial data

Item number	2700577
Packing unit	1 pc
Minimum order quantity	1 pc
Sales key	DN01
Product key	DNA182
Catalog page	Page 252 (C-6-2019)
GTIN	4046356916417
Weight per piece (including packing)	204 g
Weight per piece (excluding packing)	189.1 g
Customs tariff number	85364900
Country of origin	DE

PSR-PC20-1NO-1NC-24DC-SC - Coupling relay



2700577

<https://www.phoenixcontact.com/us/products/2700577>

Technical data

Notes

Utilization restriction

CCCex note	Use in potentially explosive areas is not permitted in China.
------------	---

Product properties

Product type	Coupling relay
Product family	PSRmini
Application	Safe switch off
	High demand
	Low demand
	Ex
Relay type	Electromechanical relay with force-guided contacts in accordance with IEC/EN 61810-3

Times

Typ. starting time with U_S	< 100 ms (with U_S when controlled via A1)
Typical release time	< 35 ms (when controlled via A1)
Recovery time	500 ms

Electrical properties

Maximum power dissipation for nominal condition	3.43 W ($I_L^2 = 36 A^2$)
Nominal operating mode	100% operating factor

Air clearances and creepage distances between the power circuits

Rated insulation voltage	250 V AC
Rated surge voltage/insulation	Safe isolation, 6 kV reinforced insulation from control circuit, start circuit, confirmation current path, signal output to the enabling current path; 4 kV/basic insulation between all current paths and housing

Supply

Designation	A1/A2
Rated control circuit supply voltage U_S	20.4 V DC ... 26.4 V DC
Rated control circuit supply voltage U_S	24 V DC -15 % / +10 %
Rated control supply current I_S	typ. 50 mA
Power consumption at U_S	typ. 1.2 W
Inrush current	typ. 400 mA ($\Delta t < 10 \mu s$ at U_S)
Filter time	max. 2 ms (at A1-A2; test pulse width)
	≥ 100 ms (at A1-A2; test pulse rate)
Protective circuit	Serial protection against polarity reversal; Suppressor diode 33 V

Supply

Designation	31/A2, TBUS
Diagnostic supply voltage U_D	24 V DC -15 % / +10 %

PSR-PC20-1NO-1NC-24DC-SC - Coupling relay



2700577

<https://www.phoenixcontact.com/us/products/2700577>

Input current at U_D	6 mA (at 31-A2 for U_D ; depending on load + 100 mA at M1 and 32)
Inrush current at U_D	typ. 2.5 A ($\Delta t < 20 \mu s$ at U_D)
Protective circuit	Serial protection against polarity reversal; Suppressor diode 33 V

Output data

Relay: Enabling current path

Output description	2 N/O contacts in series, without delay, floating
Number of outputs	1 (safety-related N/O contacts: 13/14 (13F/14))
Contact switching type	1 enabling current path
Contact material	AgSnO ₂
Switching voltage	min. 12 V AC/DC max. 250 V AC/DC (Observe the load curve)
Switching capacity	min. 60 mW
Inrush current	min. 3 mA max. 6 A (N/O contact 13/14) 4 A (N/O contact 13F/14)
Switching capacity in accordance with IEC 60947-5-1	4 A (24 V (DC13); N/O contact 13/14) 5 A (250 V (AC15); N/O contact 13/14) 4 A (250 V (AC15); N/O contact 13F/14)
Limiting continuous current	6 A (13/14 for high-demand) 4 A (13F/14 with high/low demand, 13/14 with low demand)
Sq. Total current	36 A ² (13/14, see to derating) 16 A ² (13F/14, see to derating)
Switching frequency	max. 0.5 Hz
Mechanical service life	10x 10 ⁶ cycles
Output fuse	6 A gL/gG (N/O contact 13/14) 4 A gL/gG (for low-demand applications)

Relay: Confirmation current path

Output description	2 N/C contacts in series, without delay, not floating (reference ground: A2)
Number of outputs	1 (safety-related N/C contacts: 31/32)
Contact switching type	1 confirmation current path
Contact material	AgCuNi, + Au
Switching voltage	min. 20.4 V DC max. 26.4 V DC
Switching capacity	min. 20 mW
Inrush current	min. 1 mA max. 100 mA
Limiting continuous current	100 mA
Switching frequency	max. 0.5 Hz
Mechanical service life	10x 10 ⁶ cycles
Output fuse	150 mA Fast-blow

PSR-PC20-1NO-1NC-24DC-SC - Coupling relay



2700577

<https://www.phoenixcontact.com/us/products/2700577>

Signal: M1

Output description	PNP
Number of outputs	1 (non-safety-related)
Voltage	approx. 22 V DC ($U_D - 2 V$)
Current	max. 100 mA
Maximum inrush current	500 mA ($\Delta t = 1 \text{ ms}$ at U_s)
Short-circuit protection	no
Output fuse	150 mA fast blow

Connection data

Connection technology

pluggable	yes
-----------	-----

Conductor connection

Connection method	Screw connection
Conductor cross section rigid	0.2 mm ² ... 2.5 mm ²
Conductor cross section flexible	0.2 mm ² ... 2.5 mm ²
Conductor cross-section AWG	24 ... 12
Stripping length	7 mm
Screw thread	M3
Tightening torque	0.5 Nm ... 0.6 Nm

Signaling

Status display	1 x green LED
Operating voltage display	1 x yellow LED
Error indication	1 x red LED

Dimensions

Width	12.5 mm
Height	112.2 mm
Depth	114.5 mm

Material specifications

Color (Housing)	yellow (RAL 1018)
Housing material	Polyamide

Characteristics

Safety data

Stop category	0
---------------	---

Safety data: EN 50156

Safety Integrity Level (SIL)	3
------------------------------	---

Safety data: IEC 61508 - High demand

PSR-PC20-1NO-1NC-24DC-SC - Coupling relay



2700577

<https://www.phoenixcontact.com/us/products/2700577>

Safety Integrity Level (SIL)	3
Safety data: IEC 61508 - Low demand	
Safety Integrity Level (SIL)	3

Environmental and real-life conditions

Ambient conditions

Degree of protection	IP20
Min. degree of protection of inst. location	IP54
Ambient temperature (operation)	-40 °C ... 70 °C (observe derating)
Ambient temperature (storage/transport)	-40 °C ... 85 °C
Maximum altitude	≤ 2000 m (Above sea level)
Max. permissible humidity (storage/transport)	75 % (on average, 85% infrequently, non-condensing)
Max. permissible relative humidity (operation)	75 % (on average, 85% infrequently, non-condensing)
Shock	15g
Vibration (operation)	10 Hz ... 150 Hz, 2g

Approvals

ATEX

Identification	Ⓜ II 3G Ex ec nC IIC T4 Gc
Certificate	UL 22 ATEX 2912X

IECEX

Identification	Ex ec nC IIC T4 Gc
Certificate	IECEX UL 22.0037X

UL, USA/Canada

Identification	cULus
Certificate	E140324

UL Ex, USA / Canada

Identification	Class I, Zone 2, AEx nA nC IIC T4 / Ex nA nC IIC Gc T4 X Class I, Div. 2, Groups A, B, C, D, T4
Certificate	E360692

CE

Identification	CE-compliant
----------------	--------------

Environmental simulation test

Identification	G3
Certificate	ISA-S71.04

CCC / China-Ex

Identification	Ex ec nC IIC T4 Gc
Certificate	2022122304115695

DNV

PSR-PC20-1NO-1NC-24DC-SC - Coupling relay



2700577

<https://www.phoenixcontact.com/us/products/2700577>

Identification	C, EMC2
Certificate	11253-14 HH

Standards and regulations

Air clearances and creepage distances between the power circuits

Standards/regulations	EN 60664-1, EN 60079-7, EN 60079-15
-----------------------	-------------------------------------

Mounting

Mounting type	DIN rail mounting
Assembly instructions	See derating curve
Mounting position	vertical, horizontal, with front of module upward

PSR-PC20-1NO-1NC-24DC-SC - Coupling relay

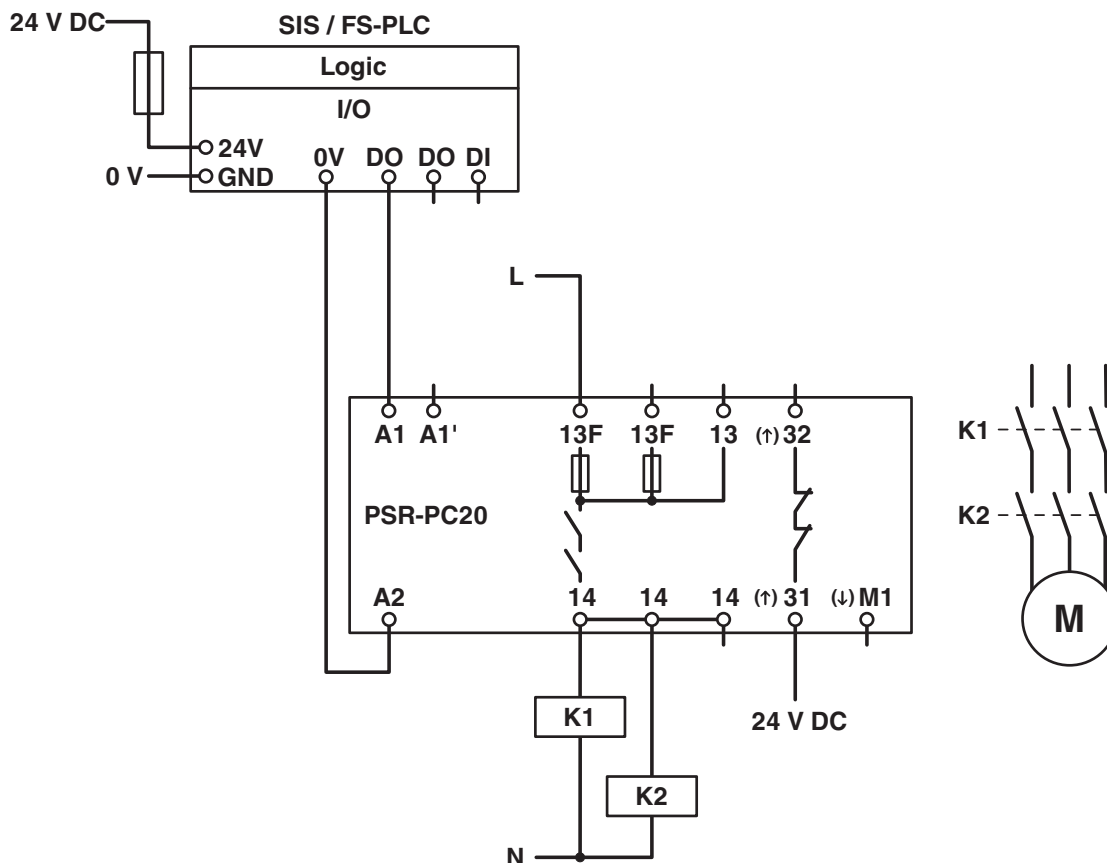


2700577

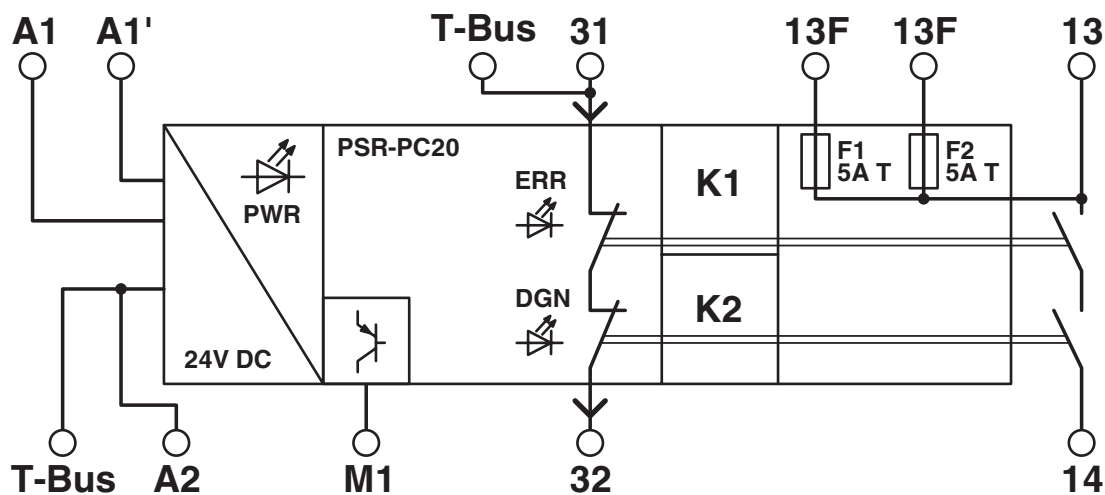
<https://www.phoenixcontact.com/us/products/2700577>

Drawings

Circuit diagram



Block diagram



Block diagram

PSR-PC20-1NO-1NC-24DC-SC - Coupling relay



2700577

<https://www.phoenixcontact.com/us/products/2700577>

Approvals

To download certificates, visit the product detail page: <https://www.phoenixcontact.com/us/products/2700577>



EAC

Approval ID: RU C-DE.A*30.B.01082



DNV GL

Approval ID: TAA00002VZ



UL Listed

Approval ID: FILE E 140324



cUL Listed

Approval ID: FILE E 140324



Functional Safety

Approval ID: 44-780-13755202



Functional Safety

Approval ID: 44-205-13755204



IECEx

Approval ID: IECEx ULD 14.0003 X



cUL Listed

Approval ID: File E 360692



UL Listed

Approval ID: File E 360692



ATEX

Approval ID: DEMKO 14 ATEX 1284 X

cULus Listed

PSR-PC20-1NO-1NC-24DC-SC - Coupling relay

2700577

<https://www.phoenixcontact.com/us/products/2700577>



cULus Listed

PSR-PC20-1NO-1NC-24DC-SC - Coupling relay



2700577

<https://www.phoenixcontact.com/us/products/2700577>

Classifications

ECLASS

ECLASS-11.0	27371819
ECLASS-13.0	27371819
ECLASS-12.0	27371819

ETIM

ETIM 9.0	EC001449
----------	----------

UNSPSC

UNSPSC 21.0	39122200
-------------	----------

PSR-PC20-1NO-1NC-24DC-SC - Coupling relay



2700577

<https://www.phoenixcontact.com/us/products/2700577>

Environmental product compliance

REACH SVHC	Lead 7439-92-1
China RoHS	Environmentally Friendly Use Period = 50 years
	For information on hazardous substances, refer to the manufacturer's declaration available under "Downloads"

PSR-PC20-1NO-1NC-24DC-SC - Coupling relay



2700577

<https://www.phoenixcontact.com/us/products/2700577>

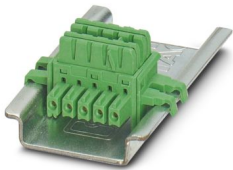
Accessories

ME 6,2 TBUS-2 1,5/5-ST-3,81 GN - DIN rail bus connectors

2869728

<https://www.phoenixcontact.com/us/products/2869728>

DIN rail connector for DIN rail mounting. Universal for TBUS housing. Gold-plated contacts, 5-pos.



Phoenix Contact 2024 © - all rights reserved
<https://www.phoenixcontact.com>

Phoenix Contact USA
586 Fulling Mill Road
Middletown, PA 17057, United States
(+717) 944-1300
info@phoenixcon.com