

**EMPARRO POWER SUPPLY 1-PHASE, PRIMARY SWITCHED**

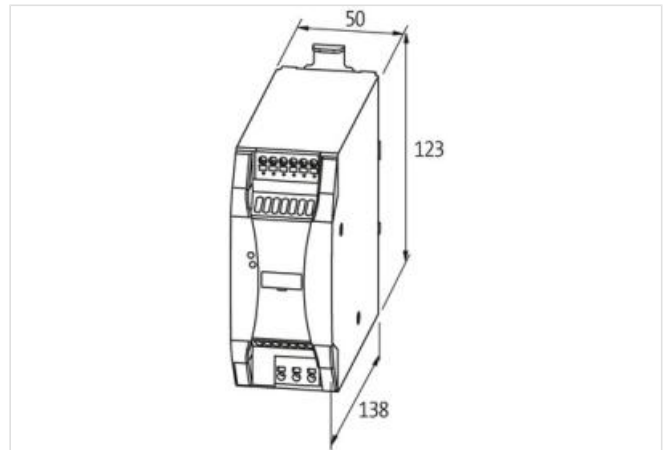
IN: 100-240VAC OUT: 24-28VDC/5A

INPUT: 85...265 V AC/90...250 V DC

OUTPUT: 24...28 V DC

Current: 5 A

Varnished board

[Link to Product](#)**Illustration**

Product may differ from Image

**Commercial data**

ECLASS-6.0	27049002
ECLASS-6.1	27049002
ECLASS-7.0	27049002
ECLASS-8.0	27049002
ECLASS-9.0	27040701
ECLASS-10.1	27040701
ECLASS-11.1	27040701
ECLASS-12.0	27040701
ETIM-5.0	EC002540
customs tariff number	85044095
GTIN	4048879446648
Packaging unit	1

**Electrical data**

Number of devices parallel connection max.	5
Number of devices series connection max.	2
Parallel connection	yes
Series connection	yes
Security level	SELV

**Electrical data | Supply**

Power frequency	50 ... 60 Hz
-----------------	--------------

The information in this Product-PDF has been compiled with the utmost care.

Liability for the correctness completeness and topicality of the information is restricted to gross negligence. Version: 2024-01-04

Murrelektronik GmbH | Falkenstr. 3 | 71570 Oppenweiler | Fon +49 (71 91) 47-0 | Fax +49 (71 91) 47-491000 | shop@murrelektronik.com | shop.murrelektronik.com

**Electrical data | Input**

Fuse protection primary side internal	6,3 A
Characteristic back-up fuse	Inertia
Input voltage 1 AC	100 V
Input voltage 2 AC	240 V
Input voltage AC min.	85 V
Input voltage AC max.	265 V
Input voltage DC min.	90 V
Input voltage DC max.	250 V
Input current at input voltage 1 AC	1,3 A
Input current at input voltage 2 AC	0,61 A
Inrush current max.	5,5 A @ 230 V
Efficiency	92,7 % @ 110 V AC, 94,5 % @ 230 V AC

**Electrical data | Output**

Output voltage DC	24 V
Output voltage DC min.	24 V
Output voltage DC max.	28 V
Output voltage adjustable	yes
Output current	5 A
Duration Power Boost min.	4 s
Min. mains failure bridging	30 ms @ 100 V AC
Power Boost	150 %
Ripple effective max.	50 mV
Spikes (s-s) max.	200 mV

**Device protection | Electrical**

Degree of protection (EN IEC 60529)	IP20
Short-circuit protection output	yes
Overload protection output	yes

**Mechanical data | Mounting data**

Mounting method	geschnappt
Suitable for mounting type	Mounting rail TH35, (EN 60715)
Height	123 mm
Width	50 mm
Depth	138 mm

**Environmental characteristics | Climatic**

Operating temperature min.	-40 °C
Operating temperature max.	60 °C
Derating from	45 °C
Storage temperature min.	-40 °C
Storage temperature max.	80 °C
Relative humidity min. (operation)	5 %
Relative humidity max. (operation)	95 % no condensation

**Conformities, approvals, certificates**

Product standard	IEC 61010-2-201
SEMI F47	compliant
EMC	EN 55011 B, EN 61000-3-2
Low Voltage Directive	EN 61204-3

**Connection type 2**

Connection type 1	Input
Connection type 2	Output
Connection	Spring clamp terminals FK
Family construction form	terminal

Gender	female
Color contact carrier	green
No. of poles	3
PIN 1	PE
PIN 2	N
PIN 3	L
Connection	Spring clamp terminals FK
Family construction form	terminal
Gender	female
Color contact carrier	green
No. of poles	6
PIN 1	AS-i -
PIN 2	AS-i -
PIN 3	AS-i +
PIN 4	AS-i +
PIN 5	13
PIN 6	14