

# EO-CF/UT/LED - Socket



0804026

<https://www.phoenixcontact.com/us/products/0804026>

Please be informed that the data shown in this PDF document is generated from our online catalog. Please find the complete data in the user documentation. Our general terms of use for downloads are valid.



Socket, Pin connector pattern type CF, Screw connection, Light indicator, gray, for mounting on a DIN rail in the service interface or direct mounting, 250 V AC, 16 A, -20 °C, 60 °C, VDE 0620-1

## Commercial data

Item number	0804026
Packing unit	1 pc
Minimum order quantity	5 pc
Sales key	BE76
Product key	BE7611
Catalog page	Page 562 (C-3-2019)
GTIN	4055626225685
Weight per piece (including packing)	76 g
Weight per piece (excluding packing)	75.3 g
Customs tariff number	85366990
Country of origin	PL

0804026

<https://www.phoenixcontact.com/us/products/0804026>

## Technical data

### Product properties

Product type	Socket
Country ID	Germany

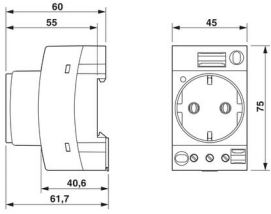
### Electrical properties

Nominal voltage $U_N$	250 V AC (50 Hz)
Nominal current $I_N$	16 A

### Signaling

Status display	Yes
----------------	-----

### Dimensions

Dimensional drawing	
Width	45 mm
Height	75 mm
Depth	75 mm

### Material specifications

Color	gray
Flammability rating according to UL 94	V0
Insulating material	PA
Contact material	CuZn37
Static insulating material application in cold	-60 °C
Temperature index of insulation material (DIN EN 60216-1 (VDE 0304-21))	130 °C
Relative insulation material temperature index (Elec., UL 746 B)	130 °C
Fire protection for rail vehicles (DIN EN 45545-2) R22	HL 1 - HL 3
Fire protection for rail vehicles (DIN EN 45545-2) R23	HL 1 - HL 3
Fire protection for rail vehicles (DIN EN 45545-2) R24	HL 1 - HL 3
Fire protection for rail vehicles (DIN EN 45545-2) R26	HL 1 - HL 3
Calorimetric heat release NFPA 130 (ASTM E 1354)	28 MJ/kg
Surface flammability NFPA 130 (ASTM E 162)	passed
Specific optical density of smoke NFPA 130 (ASTM E 662)	passed
Smoke gas toxicity NFPA 130 (SMP 800C)	passed

### Connector

# EO-CF/UT/LED - Socket



0804026

<https://www.phoenixcontact.com/us/products/0804026>

Type of plug	Pin connector pattern type CF
--------------	-------------------------------

## Environmental and real-life conditions

### Ambient conditions

Degree of protection	IP20
Ambient temperature (operation)	-20 °C ... 60 °C (max. short-term operating temperature RTI Elec. )
Ambient temperature (storage/transport)	-25 °C ... 60 °C (for a short time, not exceeding 24 h, -60 °C to +70 °C)
Permissible humidity (storage/transport)	30 % ... 70 %

## Standards and regulations

### Standards

Standards/regulations	VDE 0620-1
-----------------------	------------

## Mounting

Mounting type	for mounting on a DIN rail in the service interface or direct mounting
Connection method	Screw connection

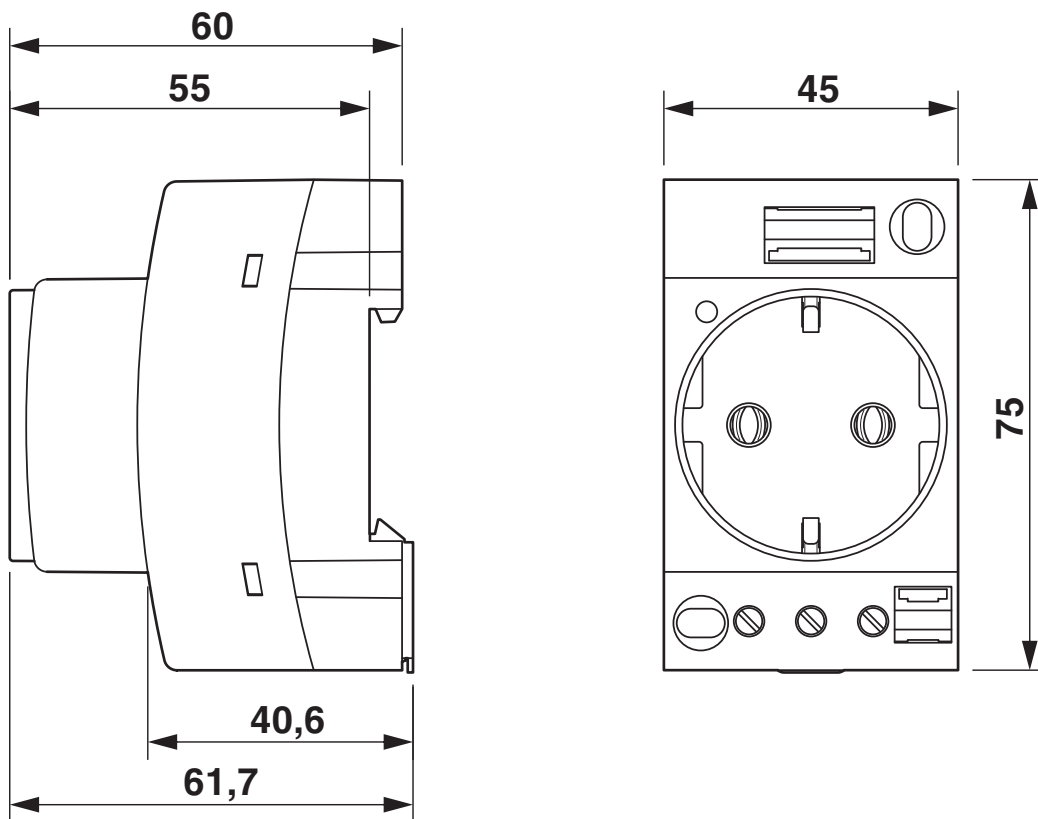
# EO-CF/UT/LED - Socket

0804026

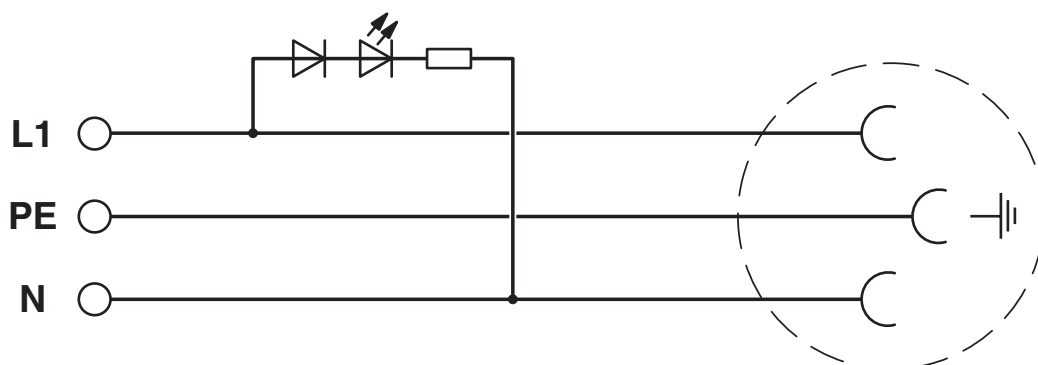
<https://www.phoenixcontact.com/us/products/0804026>

## Drawings

Dimensional drawing



Circuit diagram



# EO-CF/UT/LED - Socket



0804026

<https://www.phoenixcontact.com/us/products/0804026>

## Approvals

To download certificates, visit the product detail page: <https://www.phoenixcontact.com/us/products/0804026>



**EAC**

Approval ID: RU C-DE.BL08.B.00511



**VDE Zeichengenehmigung**

Approval ID: 40047711

	Nominal voltage $U_N$	Nominal current $I_N$	Cross section AWG	Cross section $\text{mm}^2$
	250 V	16 A	-	-



**EAC-RoHS**

Approval ID: RU D-DE.HB49.B.00025

# EO-CF/UT/LED - Socket



0804026

<https://www.phoenixcontact.com/us/products/0804026>

## Classifications

### ECLASS

ECLASS-11.0	27142305
ECLASS-12.0	27142305
ECLASS-13.0	27142305

### ETIM

ETIM 9.0	EC001663
----------	----------

### UNSPSC

UNSPSC 21.0	39121400
-------------	----------

# EO-CF/UT/LED - Socket



0804026

<https://www.phoenixcontact.com/us/products/0804026>

## Environmental product compliance

REACH SVHC	Lead 7439-92-1
	Hexahydromethylphthalic anhydride
China RoHS	Environmentally Friendly Use Period = 50 years
	For information on hazardous substances, refer to the manufacturer's declaration available under "Downloads"

# EO-CF/UT/LED - Socket



0804026

<https://www.phoenixcontact.com/us/products/0804026>

## Accessories

### UC-TMF 8 - Marker for terminal blocks

0818137

<https://www.phoenixcontact.com/us/products/0818137>



Marker for terminal blocks, Sheet, white, unlabeled, can be labeled with: BLUEMARK ID COLOR, BLUEMARK ID, BLUEMARK CLED, PLOTMARK, CMS-P1-PLOTTER, mounting type: snapped, for terminal block width: 8.2 mm, lettering field size: 7.6 x 5.1 mm, Number of individual labels: 56

---

### UC-TMF 16 - Marker for terminal blocks

0819262

<https://www.phoenixcontact.com/us/products/0819262>



Marker for terminal blocks, Sheet, white, unlabeled, can be labeled with: BLUEMARK ID COLOR, BLUEMARK ID, BLUEMARK CLED, PLOTMARK, CMS-P1-PLOTTER, mounting type: snapped, for terminal block width: 16 mm, lettering field size: 15.45 x 5.1 mm, Number of individual labels: 32



# EO-CF/UT/LED - Socket

0804026

<https://www.phoenixcontact.com/us/products/0804026>



## ZBF 8:UNBEDRUCKT - Zack Marker strip, flat

0808781

<https://www.phoenixcontact.com/us/products/0808781>



Zack Marker strip, flat, Strip, white, unlabeled, can be labeled with: PLOTMARK, CMS-P1-PLOTTER, mounting type: snapped, for terminal block width: 8 mm, lettering field size: 5.15 x 8.15 mm, Number of individual labels: 10

---

## ZBF 16:UNPRINTED - Zack Marker strip, flat

0827464

<https://www.phoenixcontact.com/us/products/0827464>



Zack Marker strip, flat, Strip, white, unlabeled, can be labeled with: PLOTMARK, CMS-P1-PLOTTER, mounting type: snapped, for terminal block width: 16 mm, lettering field size: 16.25 x 10.5 mm, Number of individual labels: 50

## EO-CF/UT/LED - Socket

0804026

<https://www.phoenixcontact.com/us/products/0804026>



## EO-SI-FRAME - Adapter plate

0804522

<https://www.phoenixcontact.com/us/products/0804522>



Adapter plate for installing the control cabinet sockets (type EO-...) in the mounting frames (type VS-SI-EB-EMV.../ SI-M1A.../ SI-M1B...). Includes fastening hardware for the control cabinet socket

---

Phoenix Contact 2023 © - all rights reserved

<https://www.phoenixcontact.com>

Phoenix Contact USA  
586 Fulling Mill Road  
Middletown, PA 17057, United States  
(+717) 944-1300  
[info@phoenixcon.com](mailto:info@phoenixcon.com)