

# PLT-SEC-T3-230-P-UT/PT - Type 3 surge protection plug



2907923

<https://www.phoenixcontact.com/us/products/2907923>

Please be informed that the data shown in this PDF document is generated from our online catalog. Please find the complete data in the user documentation. Our general terms of use for downloads are valid.



Replacement plug for type 2/3 surge protection from the PLT-SEC-...-UT/PT product series.  
Nominal voltage 230 V.

## Commercial data

Item number	2907923
Packing unit	1 pc
Minimum order quantity	1 pc
Sales key	CL19
Product key	CL14A4
Catalog page	Page 83 (C-4-2019)
GTIN	4055626257600
Weight per piece (including packing)	38.777 g
Weight per piece (excluding packing)	33.16 g
Customs tariff number	85363030
Country of origin	DE

# PLT-SEC-T3-230-P-UT/PT - Type 3 surge protection plug

2907923

<https://www.phoenixcontact.com/us/products/2907923>

## Technical data

### Product properties

IEC power supply system	TN-S
	TT
Type	Male
Product type	Replacement plug
Product family	SEC Family
Number of positions	2
Surge protection fault message	optical

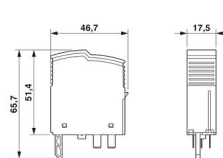
### Insulation characteristics

Overvoltage category	III
Pollution degree	2
IEC test classification	II / III
	T2 / T3
EN type	T2 / T3
Number of ports	One

### Connection data

Connection method	pluggable
-------------------	-----------

### Dimensions

Dimensional drawing	
Width	17.5 mm
Height	46.7 mm
Depth	65.7 mm
Horizontal pitch	1 Div.

### Material specifications

Flammability rating according to UL 94	V-0
CTI value of material	600
Insulating material	PA 6.6-FR 20 % GF
	PA 6.6-FR
Housing material	PA 6.6-FR 20 % GF
	PA 6.6-FR

### Protective circuit

Mode of protection	L-N
	L-PE

# PLT-SEC-T3-230-P-UT/PT - Type 3 surge protection plug



2907923

<https://www.phoenixcontact.com/us/products/2907923>

	N-PE
Direction of action	1L-N & N-PE
Nominal voltage $U_N$	240 V AC (TN-S)
	240 V AC (TT)
Nominal frequency $f_N$	50 Hz (60 Hz)
Maximum continuous voltage $U_C$	264 V AC
Residual current $I_{PE}$	$\leq 5 \mu A$
Standby power consumption $P_C$	$\leq 26.4 \text{ mVA}$ (at $U_{REF}$ )
	$\leq 26.4 \text{ mVA}$ (at $U_C$ )
Reference test voltage $U_{REF}$	264 V AC
Nominal discharge current $I_n$ (8/20) $\mu s$	5 kA
Maximum discharge current $I_{max}$ (8/20) $\mu s$	10 kA
Combination wave $U_{OC}$	6 kV
Voltage protection level $U_p$ (L-N)	$\leq 1.25 \text{ kV}$ (at $U_{OC}$ )
	$\leq 1.4 \text{ kV}$ (at $I_n$ )
Voltage protection level $U_p$ (L-PE)	$\leq 1.4 \text{ kV}$
Voltage protection level $U_p$ (N-PE)	$\leq 1.4 \text{ kV}$
TOV behavior at $U_T$ (L-N)	400 V AC (5 s / withstand mode)
	457 V AC (120 min / safe failure mode)
TOV behavior at $U_T$ (L-PE)	457 V AC (5 s / withstand mode)
	457 V AC (120 min / withstand mode)
	1464 V AC (200 ms / safe failure mode)
TOV behavior at $U_T$ (N-PE)	1200 V AC (200 ms / safe failure mode)
Response time $t_A$ (L-N)	$\leq 25 \text{ ns}$
Response time $t_A$ (L-PE)	$\leq 100 \text{ ns}$
Response time $t_A$ (N-PE)	$\leq 100 \text{ ns}$
Short-circuit current rating $I_{SCCR}$	10 kA AC
Max. backup fuse with branch wiring	32 A (gG / B / C)

## Additional technical data

Short-circuit current rating $I_{SCCR}$	0.25 kA DC (Without additional backup fuse in the DC branch wiring)
	5 kA DC (for 20 A gG / B backup fuse)
Residual voltage $U_{res}$ (L-N)	$\leq 1.15 \text{ kV}$ (at 2 kA)
	$\leq 1.25 \text{ kV}$ (at 3 kA)
	$\leq 1.1 \text{ kV}$ (at $U_{OC} = 4 \text{ kV}$ )
Residual voltage $U_{res}$ (L-PE)	$\leq 1.1 \text{ kV}$ (at 2 kA)
	$\leq 1.1 \text{ kV}$ (at 3 kA)
	$\leq 1.2 \text{ kV}$ (at $U_{OC} = 4 \text{ kV}$ )
Residual voltage $U_{res}$ (N-PE)	$\leq 1.1 \text{ kV}$ (at 2 kA)
	$\leq 1.1 \text{ kV}$ (at 3 kA)
	$\leq 1.2 \text{ kV}$ (at $U_{OC} = 4 \text{ kV}$ )
Maximum continuous voltage $U_C$	275 V AC
	240 V DC

# PLT-SEC-T3-230-P-UT/PT - Type 3 surge protection plug



2907923

<https://www.phoenixcontact.com/us/products/2907923>

Mode of protection	(DC+) - (DC-)
	(DC+/DC-) - PE
IEC test classification (in accordance with IEC 61643-21)	D1
Impulse durability (wire-wire)	D1 - 500 A
Impulse durability (line-earth)	D1 - 500 A
Pulse discharge current $I_{imp}$ (10/350) $\mu$ s (line-line)	0.5 kA
Pulse discharge current $I_{imp}$ (10/350) $\mu$ s (line-earth)	0.5 kA

## Environmental and real-life conditions

### Ambient conditions

Degree of protection	IP20
Ambient temperature (operation)	-40 °C ... 80 °C
Ambient temperature (storage/transport)	-40 °C ... 80 °C
Altitude	≤ 6000 m (amsl)
Permissible humidity (operation)	5 % ... 95 %
Shock (operation)	30g (Half-sine / 11 ms / 3x ±X, ±Y, ±Z)
Vibration (operation)	5g (5 ... 500 Hz / 2.5 h / X, Y, Z)

## Approvals

### UL specifications

Maximum continuous operating voltage MCOV	264 V AC
	240 V DC
Nominal discharge current $I_n$	5 kA
Mode of protection	L-N
	L-G
	N-G
	(DC+) - (DC-)
	(DC+) - G
	(DC-) - G
Nominal voltage	240 V DC
Power distribution system	Single phase
	DC
Nominal frequency	50/60 Hz
Measured limiting voltage MLV (L-N)	1150 V
Measured limiting voltage MLV (L-G)	1180 V
Measured limiting voltage MLV (N-G)	1180 V
SPD Type	4CA

## Standards and regulations

Standards/specifications	IEC 61643-11
Note	2011

### EN 61643-11

Standards/specifications	EN 61643-11
--------------------------	-------------

# PLT-SEC-T3-230-P-UT/PT - Type 3 surge protection plug



2907923

<https://www.phoenixcontact.com/us/products/2907923>

Note	2012
------	------

## Mounting

Mounting type	on base element
---------------	-----------------

# PLT-SEC-T3-230-P-UT/PT - Type 3 surge protection plug

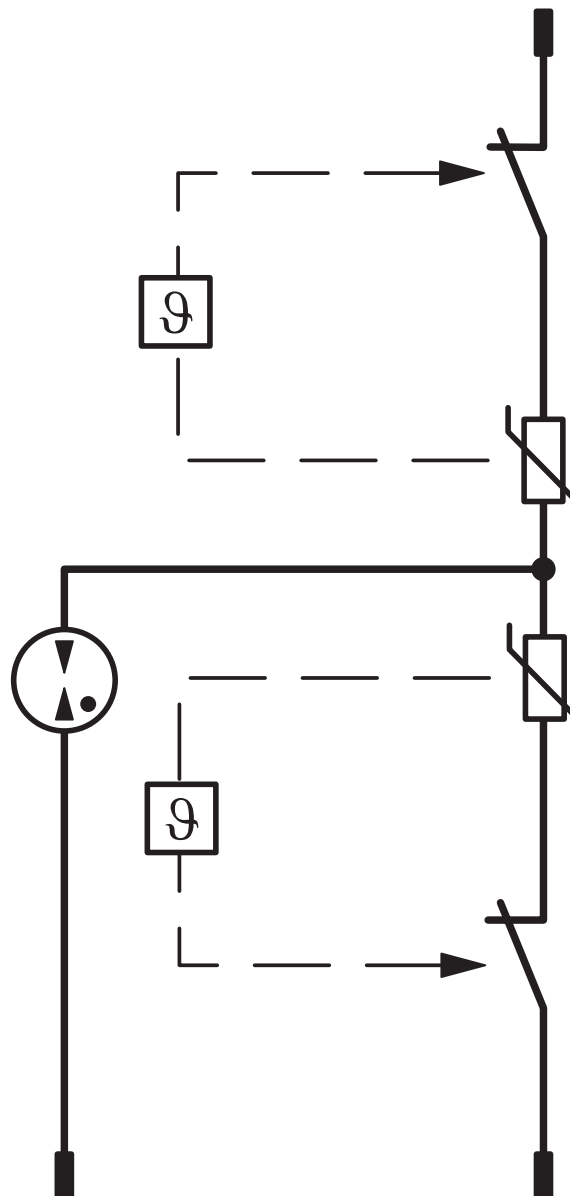


2907923

<https://www.phoenixcontact.com/us/products/2907923>

## Drawings

Circuit diagram



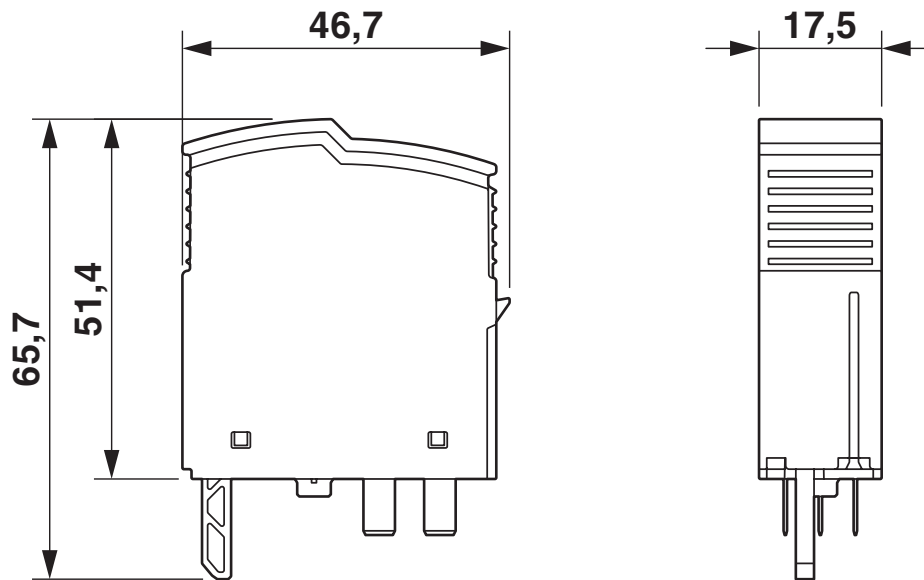
# PLT-SEC-T3-230-P-UT/PT - Type 3 surge protection plug



2907923

<https://www.phoenixcontact.com/us/products/2907923>

Dimensional drawing



# PLT-SEC-T3-230-P-UT/PT - Type 3 surge protection plug



2907923

<https://www.phoenixcontact.com/us/products/2907923>

## Approvals

To download certificates, visit the product detail page: <https://www.phoenixcontact.com/us/products/2907923>



**cUL Recognized**  
Approval ID: FILE E 330181



**UL Recognized**  
Approval ID: FILE E 330181



**IECEE CB Scheme**  
Approval ID: NL-51083



**EAC**  
Approval ID: RU C-DE.\*09.B.00169

**CCA**

Approval ID: NTR-NL 7676



**KEMA-KEUR**  
Approval ID: 71-103027



**CSA**  
Approval ID: 13631

**UAE-RoHS**

Approval ID: 22-09-50640

**DNV**

Approval ID: TAE00002U7



**cUL Recognized**  
Approval ID: FILE E 340736



**UL Recognized**  
Approval ID: FILE E 340736



# PLT-SEC-T3-230-P-UT/PT - Type 3 surge protection plug



2907923

<https://www.phoenixcontact.com/us/products/2907923>

**cULus Recognized**

**cULus Recognized**

# PLT-SEC-T3-230-P-UT/PT - Type 3 surge protection plug



2907923

<https://www.phoenixcontact.com/us/products/2907923>

## Classifications

### ECLASS

ECLASS-11.0	27130890
ECLASS-13.0	27171292

### ETIM

ETIM 8.0	EC002496
----------	----------

### UNSPSC

UNSPSC 21.0	39121600
-------------	----------

# PLT-SEC-T3-230-P-UT/PT - Type 3 surge protection plug



2907923

<https://www.phoenixcontact.com/us/products/2907923>

## Environmental product compliance

China RoHS	Environmentally friendly use period: unlimited = EFUP-e
	No hazardous substances above threshold values

# PLT-SEC-T3-230-P-UT/PT - Type 3 surge protection plug

2907923

<https://www.phoenixcontact.com/us/products/2907923>

## Accessories

### PLT-SEC-T3-230-FM-PT - Type 3 surge protection device

2907928

<https://www.phoenixcontact.com/us/products/2907928>



Type 2/3 surge protection, consisting of protective plug and base element with Push-in connection. For single-phase power supply network with integrated status indicator and remote signaling. Nominal voltage: 230 V AC/DC

---

### PLT-SEC-T3-230-FM-UT - Type 3 surge protection device

2907919

<https://www.phoenixcontact.com/us/products/2907919>



Type 2/3 surge protection, consisting of protective plug and base element with screw connection. For single-phase power supply network with integrated status indicator and remote signaling. Nominal voltage: 230 V AC/DC

# PLT-SEC-T3-230-P-UT/PT - Type 3 surge protection plug



2907923

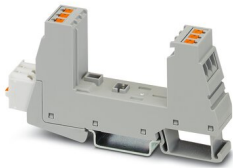
<https://www.phoenixcontact.com/us/products/2907923>

## PLT-SEC-T3-BE-FM-PT - Type 3 surge protection base element

2907929

<https://www.phoenixcontact.com/us/products/2907929>

Base element for protective plugs from the PLT-SEC-...-UT/PT product series with remote indication contact.



---

## PLT-SEC-T3-BE-FM-UT - Type 3 surge protection base element

2907924

<https://www.phoenixcontact.com/us/products/2907924>

Base element for protective plugs from the PLT-SEC-...-UT/PT product series with remote indication contact.



---

Phoenix Contact 2023 © - all rights reserved  
<https://www.phoenixcontact.com>

Phoenix Contact USA  
586 Fulling Mill Road  
Middletown, PA 17057, United States  
(+717) 944-1300  
[info@phoenixcon.com](mailto:info@phoenixcon.com)