

PSR-MC34-3NO-1DO-24DC-SP - Safety relays



2700548

<https://www.phoenixcontact.com/ae/products/2700548>

Please be informed that the data shown in this PDF document is generated from our online catalog. Please find the complete data in the user documentation. Our general terms of use for downloads are valid.



Safety relay for emergency stop and safety doors up to SIL 3, Cat. 4, PL e, 1 or 2-channel operation, automatic or manual, monitored start, cross-circuit detection, 3 enabling current paths, $U_S = 24 \text{ V DC}$, pluggable Push-in terminal block

Your advantages

- Up to Cat. 4/PL e in accordance with EN ISO 13849-1, SIL 3 in accordance with EN IEC 62061
- Low housing width of just 12.5 mm
- 2 channel control
- 3 enabling current paths, 1 digital signal output
- Manually monitored and automatic activation in a single device
- Cross-circuit detection

Commercial data

Item number	2700548
Packing unit	1 pc
Minimum order quantity	1 pc
Sales key	DNA
Product key	DNA181
Catalog page	Page 222 (C-6-2019)
GTIN	4046356912686
Weight per piece (including packing)	173.7 g
Weight per piece (excluding packing)	138.9 g
Customs tariff number	85371098
Country of origin	DE

Technical data

Product properties

Product type	Safety relays
Product family	PSRmini
Application	Emergency stop
	Safety door
	Solenoid switch
	Transponder
Relay type	Electromechanical relay with force-guided contacts in accordance with IEC/EN 61810-3

Times

Typical response time	< 175 ms (automatic start)
	< 175 ms (manual, monitored start)
Typ. starting time with U_S	< 250 ms (when controlled via A1)
Typical release time	< 20 ms (on demand via A1)
	< 20 ms (on demand via the sensor circuit)
Restart time	< 1 s (Boot time, after switching on the supply voltage)
Recovery time	< 500 ms (following demand of the safety function)

Electrical properties

Maximum power dissipation for nominal condition	6.1 W ($U_S = 26.4 \text{ V}$, $I_L^2 = 72 \text{ A}^2$, $P_{\text{Total max}} = 2.5 \text{ W} + 3.6 \text{ W}$)
Nominal operating mode	100% operating factor

Air clearances and creepage distances between the power circuits

Rated insulation voltage	250 V AC
	250 V AC
Rated surge voltage/insulation	See section "Insulation coordination"

Supply

Designation	A1/A2
Rated control circuit supply voltage U_S	20.4 V DC ... 26.4 V DC
Rated control circuit supply voltage U_S	24 V DC -15 % / +10 %
Rated control supply current I_S	typ. 84 mA (at U_S)
Power consumption at U_S	typ. 2 W
Inrush current	typ. 5 A ($\Delta t = 200 \mu\text{s}$ at U_S)
Filter time	1 ms (in the event of voltage dips at U_S)
Protective circuit	Serial protection against polarity reversal; Suppressor diode

Input data

Digital: Sensor circuit (S12, S22)

Description of the input	safety-related sensor inputs
	NPN (S12), NPN/PNP (S22)
Number of inputs	2

PSR-MC34-3NO-1DO-24DC-SP - Safety relays



2700548

<https://www.phoenixcontact.com/ae/products/2700548>

Input voltage range "0" signal	< 5 V (S12)
	Input S22 can interpret low-resistance outputs of a PLC as a continuous HIGH signal.
Input voltage range "1" signal	20.4 V ... 26.4 V
Input current range "0" signal	< 2 mA (S12)
	0 mA ... 2 mA (S22)
Inrush current	< 20 mA (Typically with U_S at S12)
	< 5 mA (typically with U_S at S22/24 V)
	> -15 mA (typically with U_S at S22/0 V)
Filter time	max. 1.5 ms (at S12, S22; test pulse width)
	min. 7.5 ms (at S12, S22; test pulse rate)
	Test pulse rate = 5 x Test pulse width
Concurrency	∞
Max. permissible overall conductor resistance	150 Ω
Protective circuit	Suppressor diode
Current consumption	< 5 mA (Typically with U_S at S12)
	< 5 mA (typically with U_S at S22/24 V)
	> -5 mA (typically with U_S at S22/0 V)

Digital: Start circuit (S34)

Description of the input	non-safety-related
	NPN/PNP
Number of inputs	1
Input voltage range "1" signal	20.4 V DC ... 26.4 V DC
Inrush current	max. 200 mA (typically with U_S)
Max. permissible overall conductor resistance	150 Ω
Protective circuit	Suppressor diode
Current consumption	< 10 mA (at S34/24 V)
	> -5 mA (at S34/0 V)

Output data

Relay: Enabling current paths (13/14, 23/24/34)

Output description	safety-related N/O contacts
Number of outputs	3 (undelayed)
Contact switching type	3 enabling current paths
Contact material	AgSnO ₂
Switching voltage	min. 12 V
	max. 250 V AC/DC (Observe the load curve)
Switching capacity	min. 60 mW
Inrush current	min. 3 mA
	max. 6 A
Switching capacity in accordance with IEC 60947-5-1	5 A (AC15)
	4 A (DC13)
Limiting continuous current	6 A (For 13/14)

PSR-MC34-3NO-1DO-24DC-SP - Safety relays



2700548

<https://www.phoenixcontact.com/ae/products/2700548>

	6 A (For 23/24/34; since the 23/24/34 contact path only has one input path, only a total current of 6 A is permitted here)
Sq. Total current	72 A ² (observe derating)
Switching frequency	0.5 Hz
Mechanical service life	10x 10 ⁶ cycles
Output fuse	6 A gL/gG 4 A gL/gG (for low-demand applications)

Signal: M1

Output description	non-safety-related
Number of outputs	1 (digital, PNP)
Voltage	22 V DC (U _s - 2 V)
Current	max. 100 mA
Maximum inrush current	500 mA (Δt = 1 ms at U _s)
Switching frequency	0.5 Hz (Resistive, inductive, capacitive)
Protective circuit	Suppressor diode
Short-circuit protection	no

Connection data

Connection technology

pluggable	yes
-----------	-----

Conductor connection

Connection method	Push-in connection
Conductor cross section rigid	0.2 mm ² ... 1.5 mm ²
Conductor cross section flexible	0.2 mm ² ... 1.5 mm ²
Conductor cross section, flexible, with ferrule, with plastic sleeve	0.25 mm ² ... 1.5 mm ² (only together with CRIMPFOX 6)
Conductor cross section flexible, with ferrule without plastic sleeve	0.25 mm ² ... 1.5 mm ² (only together with CRIMPFOX 6)
Conductor cross-section AWG	24 ... 16
Stripping length	8 mm

Signaling

Status display	3 x green LED
Operating voltage display	1 x green LED

Dimensions

Width	12.5 mm
Height	116.6 mm
Depth	114.5 mm

Material specifications

Housing material	Polyamide
------------------	-----------

Characteristics

PSR-MC34-3NO-1DO-24DC-SP - Safety relays



2700548

<https://www.phoenixcontact.com/ae/products/2700548>

Safety data

Stop category	0
---------------	---

Safety data: EN ISO 13849

Category	4
Performance level (PL)	e (4 A DC13; 5 A AC15; 8760 switching cycles/year)

Safety data: IEC 61508 - High demand

Safety Integrity Level (SIL)	3
------------------------------	---

Safety data: IEC 61508 - Low demand

Safety Integrity Level (SIL)	3
------------------------------	---

Safety data: EN IEC 62061

Safety Integrity Level (SIL)	3
------------------------------	---

Environmental and real-life conditions

Ambient conditions

Degree of protection	IP20
Min. degree of protection of inst. location	IP54
Ambient temperature (operation)	-40 °C ... 55 °C (observe derating)
Ambient temperature (storage/transport)	-40 °C ... 85 °C
Maximum altitude	≤ 2000 m (Above sea level)
Max. permissible humidity (storage/transport)	75 % (on average, 85% infrequently, non-condensing)
Max. permissible relative humidity (operation)	75 % (on average, 85% infrequently, non-condensing)
Shock	15g
Vibration (operation)	10 Hz ... 150 Hz, 2g

Approvals

CE

Identification	CE-compliant
----------------	--------------

Standards and regulations

Air clearances and creepage distances between the power circuits

Standards/regulations	DIN EN 50178
-----------------------	--------------

Mounting

Mounting type	DIN rail mounting
Assembly instructions	See derating curve
Mounting position	vertical or horizontal
Connection method	Push-in connection

PSR-MC34-3NO-1DO-24DC-SP - Safety relays

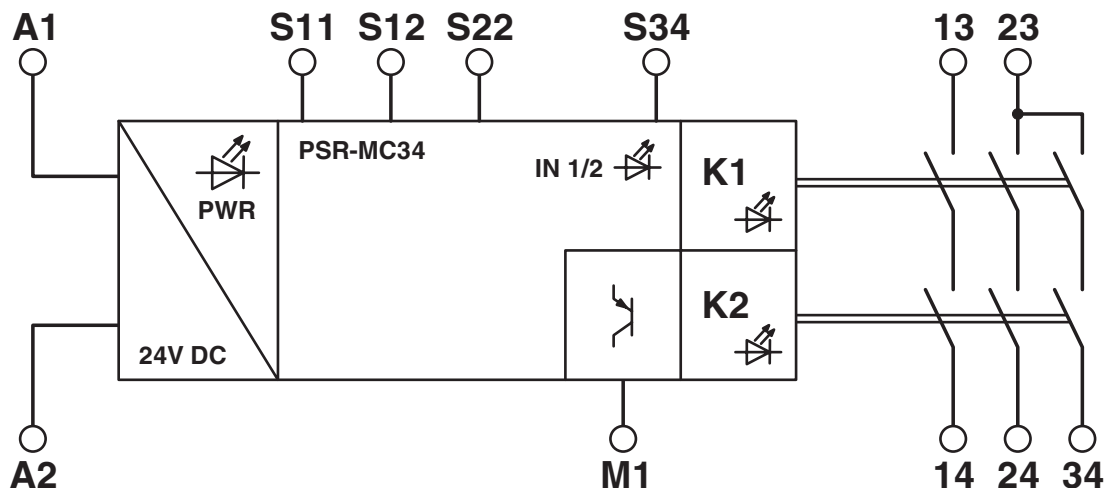


2700548

<https://www.phoenixcontact.com/ae/products/2700548>

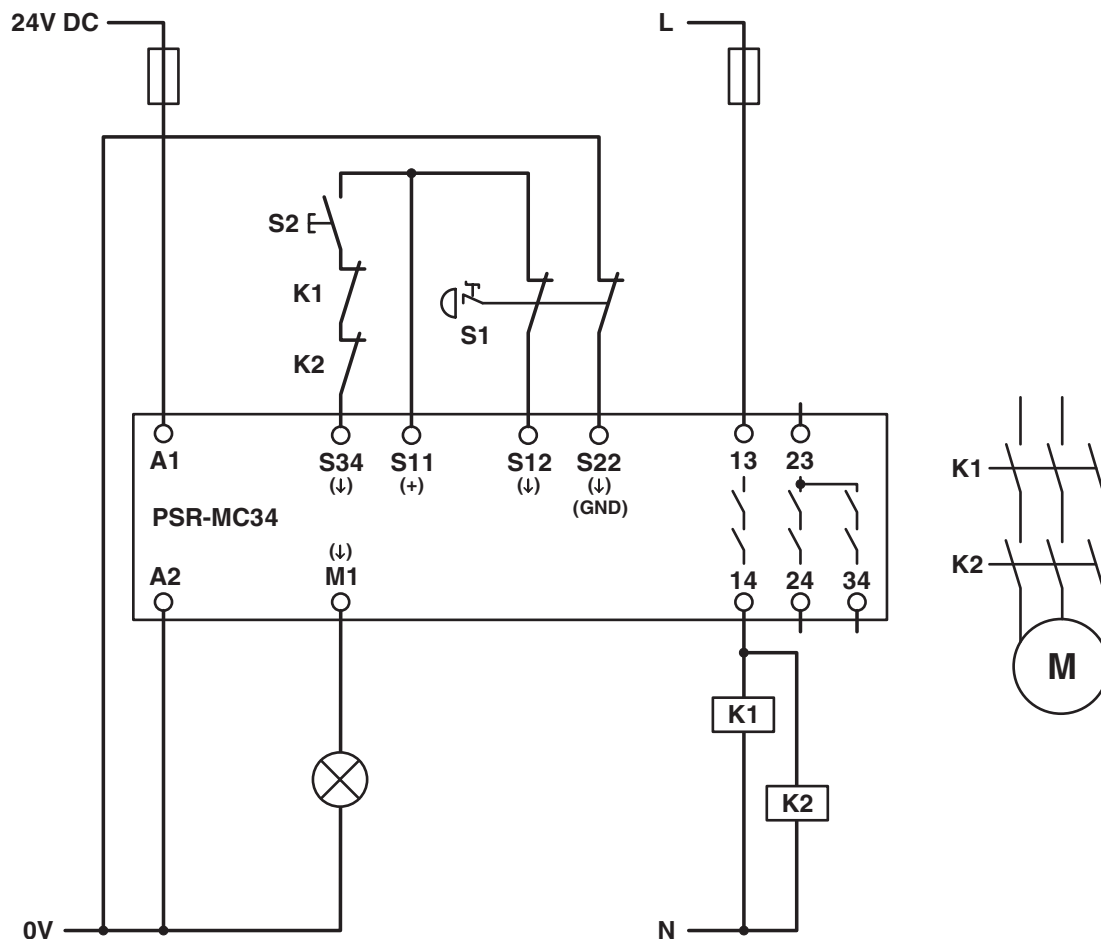
Drawings

Block diagram

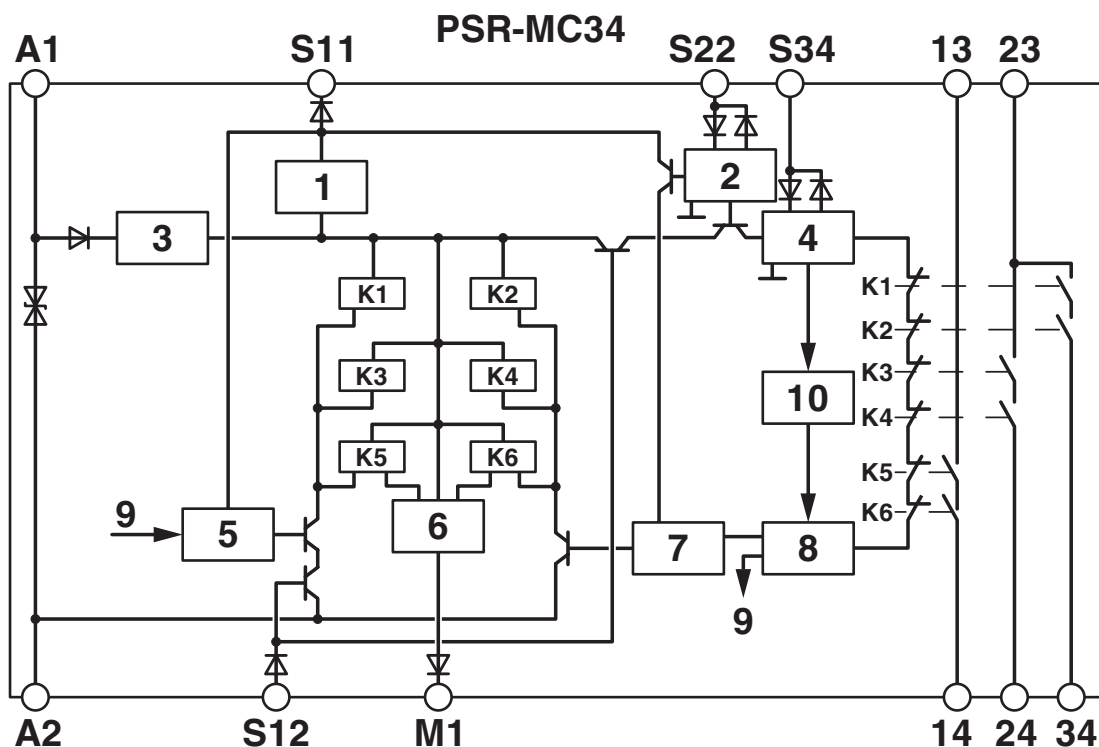


Block diagram

Circuit diagram



Block diagram



Key:

- 1 = Current limitation
- 2 = Input circuit
- 3 = Voltage limitation
- 4 = Start circuit
- 5 = Control circuit channel 1
- 6 = Control circuit signal output
- 7 = Control circuit channel 2
- 8 = Start channel 1 and 2
- 9 = Channel 1
- 10 = Diagnostics
- K1, K2 ... K6 = Force-guided elementary relays

2700548

<https://www.phoenixcontact.com/ae/products/2700548>

Approvals

To download certificates, visit the product detail page: <https://www.phoenixcontact.com/ae/products/2700548>



EAC

Approval ID: RU C-DE.A*30.B.01082



UL Listed

Approval ID: FILE E 140324



cUL Listed

Approval ID: FILE E 140324



Functional Safety

Approval ID: 44-205-13755201



Functional Safety

Approval ID: 44-780-13755201

cULus Listed

PSR-MC34-3NO-1DO-24DC-SP - Safety relays



2700548

<https://www.phoenixcontact.com/ae/products/2700548>

Classifications

ECLASS

ECLASS-11.0	27371819
ECLASS-13.0	27371819
ECLASS-12.0	27371819

ETIM

ETIM 8.0	EC001449
----------	----------

UNSPSC

UNSPSC 21.0	39122200
-------------	----------

PSR-MC34-3NO-1DO-24DC-SP - Safety relays



2700548

<https://www.phoenixcontact.com/ae/products/2700548>

Environmental product compliance

REACH SVHC	Lead 7439-92-1
China RoHS	Environmentally Friendly Use Period = 50 years
	For information on hazardous substances, refer to the manufacturer's declaration available under "Downloads"

Phoenix Contact 2023 © - all rights reserved

<https://www.phoenixcontact.com>

PHOENIX CONTACT Middle East FZ LLC
1201N-1206N, Dubai Science Park Towers – North
P.O. Box 345002, Dubai, United Arab Emirates
(+971) 4 437-0324
info-me@phoenixcontact.com