

PSR-MC31-2SDO-1DO-24DC-SP - Safety relay module



1015503

<https://www.phoenixcontact.com/ae/products/1015503>

Please be informed that the data shown in this PDF document is generated from our online catalog. Please find the complete data in the user documentation. Our general terms of use for downloads are valid.



Safety relay module for safety shut-off mats, switching strips, emergency stop, safety doors, and light grids up to SIL 3, Cat. 4, PL e, 1 or 2-channel operation, automatic or manual start, 2 safe HL outputs, 1 signal output, $U_S = 24\text{ V DC}$, pluggable Push-in terminal block

Your advantages

- Up to Cat. 4/PL e in accordance with EN ISO 13849-1, SIL 3 in accordance with EN IEC 62061
- Low housing width of just 12.5 mm
- Cascade input
- Compatible with numerous signal generators
- 1 or 2-channel control
- 2 safe digital outputs, 1 digital signal output

Commercial data

Item number	1015503
Packing unit	1 pc
Minimum order quantity	1 pc
Sales key	DNA
Product key	DNA181
GTIN	4055626496467
Weight per piece (including packing)	137.382 g
Weight per piece (excluding packing)	104.382 g
Customs tariff number	85371098
Country of origin	DE

PSR-MC31-2SDO-1DO-24DC-SP - Safety relay module



1015503

<https://www.phoenixcontact.com/ae/products/1015503>

Technical data

Product properties

Product type	Safety relays
Product family	PSRmini
Application	Emergency stop
	Safety door
	Safety shut-off mats
	Light grid

Times

Typical response time	< 200 ms (automatic start)
	< 175 ms (manual, monitored start)
Typ. starting time with U_S	< 200 ms (with U_S when controlled via A1)
Response time	< 10 ms (Take the extension of the response time into consideration if you switch several devices in sequence.)
Restart time	< 250 ms (Boot time)
Recovery time	250 ms (following demand of the safety function)

Electrical properties

Maximum power dissipation for nominal condition	3.1 W ($U_B = 30\text{ V}$, $I_{L1} = I_{L2} = 2.4\text{ A}$)
Nominal operating mode	100% operating factor

Air clearances and creepage distances between the power circuits

Rated insulation voltage	50 V
	50 V AC
Rated surge voltage/insulation	Basic insulation 4 kV between all current paths and housing

Supply

Designation	A1/A2
Rated control circuit supply voltage U_S	19.2 V DC ... 30 V DC
Rated control circuit supply voltage U_S	24 V DC -20 % / +25 % (provide external protection)
Rated control supply current I_S	typ. 54 mA (No load)
Power consumption at U_S	typ. 1.3 W
Inrush current	< 5 A ($\Delta t = 200\ \mu\text{s}$ at U_S)
Filter time	1 ms (For the logic. At A1 in the event of voltage dips at U_S)
Protective circuit	Parallel protection against polarity reversal; Suppressor diode (Provide external protection, see safety notes. Fuse type: 5 A FF)

Input data

Digital: Sensor circuit (S10, S12, S22)

Description of the input	safety-related sensor inputs
	IEC 61131-2 type 3 (S10, S12) PNP (S22)
Number of inputs	3
Input voltage range "0" signal	0 V DC ... 5 V DC (S10, S12)

PSR-MC31-2SDO-1DO-24DC-SP - Safety relay module



1015503

<https://www.phoenixcontact.com/ae/products/1015503>

	S22 open
Input voltage range "1" signal	11 V DC ... 30 V DC (S10, S12)
	0 V ... 0 V (S22)
Input current range "0" signal	0 mA ... 2 mA (S10, S12)
Inrush current	< 10 mA (Typically with U_S at S10/S12, $\Delta t = 500 \mu s$)
	> -5 mA (typ. with U_S at S22, $\Delta t = 500 \mu s$)
Filter time	max. 1.5 ms (Test pulse width of low test pulses)
	Test pulse rate = 5 x Test pulse width
	Does not apply for S22
	Deactivate the switch-on pulses for safety applications.
Concurrency	∞
Max. permissible overall conductor resistance	150 Ω
Protective circuit	Suppressor diode
Current consumption	4 mA (S10, S12)
	-4 mA (S22)

Digital: Start circuit (S34, S35)

Description of the input	non-safety-related
Number of inputs	2
Input voltage range "1" signal	19.2 V DC ... 30 V DC
Inrush current	< 10 mA (Typically with U_S , $\Delta t < 100 ms$)
Max. permissible overall conductor resistance	150 Ω
Protective circuit	Suppressor diode
Current consumption	< 7 mA (Typically with U_S at S34)
	< 5 mA (Typically with U_S at S35)

Digital: External release (S36)

Description of the input	safety-related
	IEC 61131-2 type 3
Number of inputs	1
Input voltage range "0" signal	0 V DC ... 5 V DC
Input voltage range "1" signal	11 V DC ... 30 V DC
Input current range "0" signal	0 mA ... 2 mA
Inrush current	< 10 mA ($\Delta t = 500 \mu s$)
Filter time	max. 1.5 ms (Test pulse width of low test pulses)
	Test pulse rate = 5 x Test pulse width
Max. permissible overall conductor resistance	150 Ω
Protective circuit	Suppressor diode
Current consumption	7 mA

Output data

Digital: 14, 24

Output description	Safety-related digital outputs
	PNP, IEC 61131-2 Type 2

PSR-MC31-2SDO-1DO-24DC-SP - Safety relay module



1015503

<https://www.phoenixcontact.com/ae/products/1015503>

Number of outputs	2
Protective circuit	Freewheeling circuit for inductive loads
Output voltage	$\geq 23 \text{ V DC (} U_s - 1 \text{ V)}$
Leakage current	max. 1 mA (in the safe state)
Ohmic load	min. 12 Ω
Max. capacitive load	max. 10 μF (2.4 A load)
	max. 4.7 μF (1 A load)
Max. inductive load	max. 1 H
Limitation of the voltage induced on circuit interruption	max. 50 V
Output current	max. 2.4 A
Inrush current	max. 4.8 A ($\Delta t = 10 \text{ ms}$)
Min. load current	2 mA
Switching frequency	1 Hz (Resistive, inductive, capacitive)
Output voltage when switched off	< 5 V DC (in the safe state)
Test pulses	< 1 ms (Test pulse width of low test pulses)

Signal: M1

Output description	PNP
	non-safety-related
Number of outputs	1
Voltage	approx. 22 V DC ($U_s - 2 \text{ V}$)
Current	max. 100 mA
Maximum inrush current	500 mA ($\Delta t = 1 \text{ ms}$ at U_s)
Protective circuit	Suppressor diode
Short-circuit protection	Yes

Connection data

Connection technology

pluggable	yes
-----------	-----

Conductor connection

Connection method	Push-in connection
Conductor cross section rigid	0.2 mm ² ... 1.5 mm ²
Conductor cross section flexible	0.2 mm ² ... 1.5 mm ²
Conductor cross section, flexible, with ferrule, with plastic sleeve	0.25 mm ² ... 1.5 mm ² (only together with CRIMPFOX 6)
Conductor cross section flexible, with ferrule without plastic sleeve	0.25 mm ² ... 1.5 mm ² (only together with CRIMPFOX 6)
Conductor cross-section AWG	24 ... 16
Stripping length	8 mm

Signaling

Status display	3 x green LED
Operating voltage display	1 x green LED
Error indication	1 x red LED

PSR-MC31-2SDO-1DO-24DC-SP - Safety relay module



1015503

<https://www.phoenixcontact.com/ae/products/1015503>

Dimensions

Width	12.5 mm
Height	116.6 mm
Depth	114.5 mm

Material specifications

Housing material	Polyamide
------------------	-----------

Characteristics

Safety data

Stop category	0
---------------	---

Safety data: EN ISO 13849

Category	4
Performance level (PL)	e

Safety data: IEC 61508 - High demand

Safety Integrity Level (SIL)	3
------------------------------	---

Safety data: EN IEC 62061

Safety Integrity Level (SIL)	3
------------------------------	---

Environmental and real-life conditions

Ambient conditions

Degree of protection	IP20
Min. degree of protection of inst. location	IP54
Ambient temperature (operation)	-40 °C ... 70 °C (observe derating)
Ambient temperature (storage/transport)	-40 °C ... 70 °C
Maximum altitude	≤ 2000 m (Above sea level)
Max. permissible humidity (storage/transport)	75 % (on average, 85% infrequently, non-condensing)
Max. permissible relative humidity (operation)	75 % (on average, 85% infrequently, non-condensing)
Shock	30g
Vibration (operation)	10 Hz ... 150 Hz, 5g

Approvals

CE

Identification	CE-compliant
----------------	--------------

Standards and regulations

Air clearances and creepage distances between the power circuits

Standards/regulations	DIN EN 50178, EN 60947-5-1
-----------------------	----------------------------

Mounting

PSR-MC31-2SDO-1DO-24DC-SP - Safety relay module



1015503

<https://www.phoenixcontact.com/ae/products/1015503>

Mounting type	DIN rail mounting
Assembly instructions	See derating curve
Mounting position	vertical or horizontal
Connection method	Push-in connection

PSR-MC31-2SDO-1DO-24DC-SP - Safety relay module

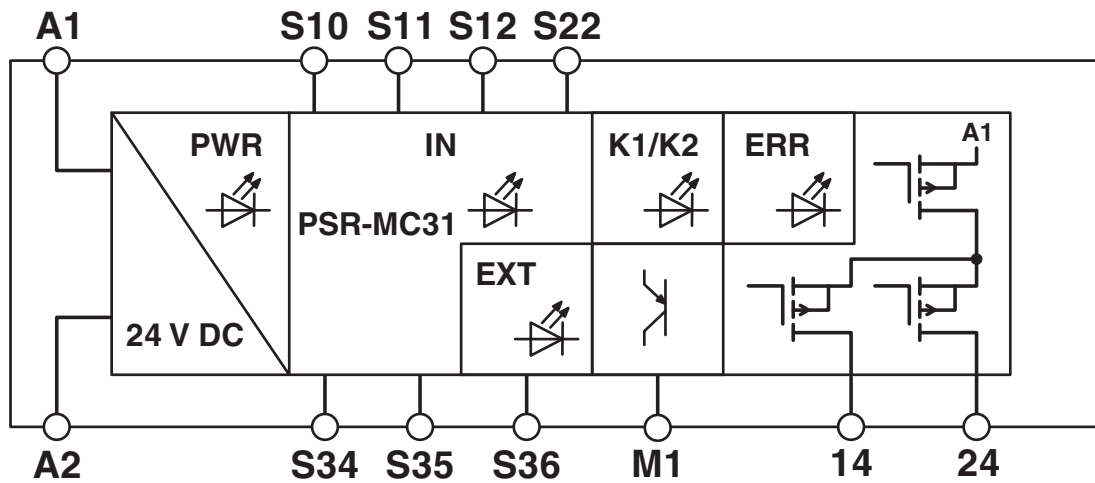


1015503

<https://www.phoenixcontact.com/ae/products/1015503>

Drawings

Block diagram



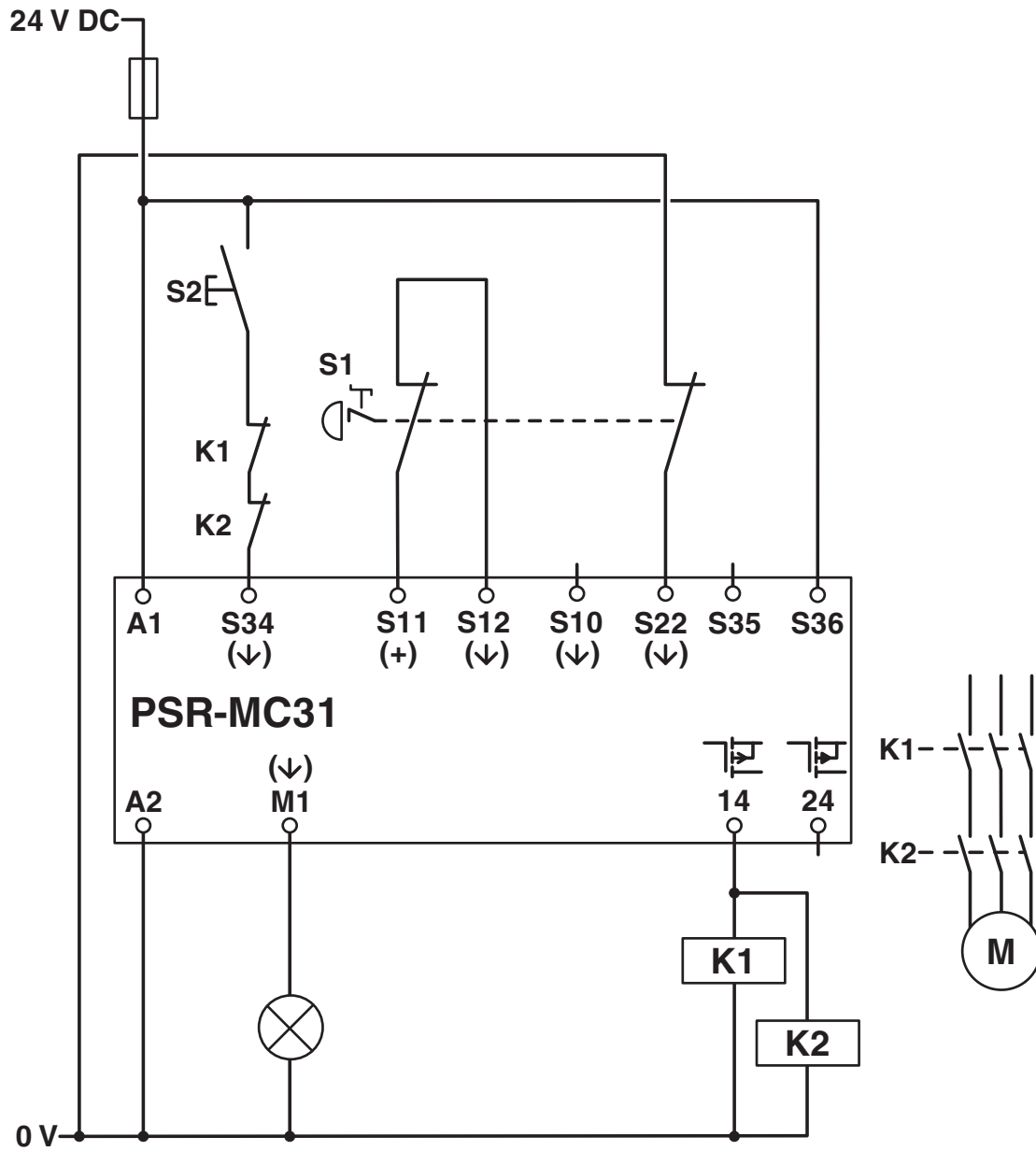
Block diagram

PSR-MC31-2SDO-1DO-24DC-SP - Safety relay module

1015503

<https://www.phoenixcontact.com/ae/products/1015503>

Circuit diagram



PSR-MC31-2SDO-1DO-24DC-SP - Safety relay module



1015503

<https://www.phoenixcontact.com/ae/products/1015503>

Approvals

To download certificates, visit the product detail page: <https://www.phoenixcontact.com/ae/products/1015503>



UL Listed

Approval ID: FILE E 140324



cUL Listed

Approval ID: FILE E 140324



Functional Safety

Approval ID: 44-780-15124315



Functional Safety

Approval ID: 44-205-15124315

cULus Listed

PSR-MC31-2SDO-1DO-24DC-SP - Safety relay module



1015503

<https://www.phoenixcontact.com/ae/products/1015503>

Classifications

ECLASS

ECLASS-11.0	27371819
ECLASS-12.0	27371819
ECLASS-13.0	27371819

ETIM

ETIM 9.0	EC001449
----------	----------

UNSPSC

UNSPSC 21.0	39122200
-------------	----------

PSR-MC31-2SDO-1DO-24DC-SP - Safety relay module



1015503

<https://www.phoenixcontact.com/ae/products/1015503>

Environmental product compliance

REACH SVHC	Lead 7439-92-1
China RoHS	Environmentally Friendly Use Period = 50 years
	For information on hazardous substances, refer to the manufacturer's declaration available under "Downloads"

PSR-MC31-2SDO-1DO-24DC-SP - Safety relay module



1015503

<https://www.phoenixcontact.com/ae/products/1015503>

Accessories

CP-MSTB - Coding profile

1734634

<https://www.phoenixcontact.com/ae/products/1734634>

Coding profile, is inserted into the slot on the plug or inverted header, red insulating material



CR-MSTB - Coding section

1734401

<https://www.phoenixcontact.com/ae/products/1734401>

Coding section, inserted into the recess in the header or the inverted plug, red insulating material



PSR-MC31-2SDO-1DO-24DC-SP - Safety relay module



1015503

<https://www.phoenixcontact.com/ae/products/1015503>

CRIMPFOX 6 - Crimping pliers

1212034

<https://www.phoenixcontact.com/ae/products/1212034>



Crimping pliers, for ferrules without insulating collar according to DIN 46228 Part 1 and ferrules with insulating collar according to DIN 46228 Part 4, 0.25 mm² ... 6.0 mm², lateral entry, trapezoidal crimp

Phoenix Contact 2023 © - all rights reserved

<https://www.phoenixcontact.com>

PHOENIX CONTACT Middle East FZ LLC
1201N-1206N, Dubai Science Park Towers – North
P.O. Box 345002, Dubai, United Arab Emirates
(+971) 4 437-0324
info-me@phoenixcontact.com