

# PSR-CT-C-ACT - Safety switch actuator



2702973

<https://www.phoenixcontact.com/mx/products/2702973>

Please be informed that the data shown in this PDF document is generated from our online catalog. Please find the complete data in the user documentation. Our general terms of use for downloads are valid.



Proximity safety circuit up to Cat. 4, PL e (EN ISO 13849), SIL 3 (IEC 61508), coded actuator, compatible with all sensor coding types, supplied inductively via the sensor, IP69K

## Product description

The PSR-CT safety circuit consists of a combination of a PSR-CT-...-SEN-1-8 sensor with varying coding types and a coded PSR-CT-C-ACT actuator. It provides maximum tamper protection and the highest level of safety in accordance with EN ISO 14119. The PSR-CT safety circuit is available with the following types of coding: **Fixcode:** For the sensor to detect the actuator, the actuator must first be associated with the sensor via a learning process. The learning process can only be completed once. The sensor and actuator are then permanently assigned to each other by their coding. Safety circuits with fixcode evaluation achieve a **high coding level**. **Unicode:** For the sensor to detect the actuator, the actuator must first be assigned to the sensor via a learning process. The learning process for a new actuator can be repeated any number of times. The sensor only detects the last learned actuator. Safety circuits with unicode evaluation achieve a **high coding level**. **Multicode:** The sensor detects every actuator of the approved type. No specific actuator code can be assigned. Safety circuits with multicode evaluation achieve a **low coding level**.

## Your advantages

- Integrated reset function on the switch
- 4 actuation settings, 3 travel directions
- Tamper protection via RFID transponder technology
- Rapid diagnostics, thanks to comprehensive status information
- Consistent M12 connection technology for convenient installation
- Safe series connection in accordance with EN ISO 14119
- Flexible use, thanks to compact design
- Safe, cost-effective complete solution

## Commercial data

Item number	2702973
Packing unit	1 pc
Minimum order quantity	1 pc
Sales key	02
Product key	DNA611
Catalog page	Page 213 (C-6-2019)
GTIN	4055626447001
Weight per piece (including packing)	40.7 g
Weight per piece (excluding packing)	31.5 g

# PSR-CT-C-ACT - Safety switch actuator



2702973

<https://www.phoenixcontact.com/mx/products/2702973>

Customs tariff number	85365019
Country of origin	DE

## Technical data

### Product properties

Product type	Safety switches
Application	Safety door monitoring
	Position monitoring
Technology	Transponder

### Electrical properties

Power supply	inductively, via the sensor
--------------	-----------------------------

#### Switching intervals: Actuation position A, B when traveling in X direction

Actuation setting	Actuation position A, B when traveling in X direction
Power-on interval	typ. 13 mm
Fused switching interval $S_{ao}$	10 mm (Position A)
	9 mm (Position B)
Fused power off interval $S_{ar}$	max. 20 mm
Switching hysteresis	min. 1 mm
	typ. 2 mm
Repeat accuracy	$\leq 10 \%$

#### Switching intervals: Actuation position C, D when traveling in X direction

Actuation setting	Actuation position C, D when traveling in X direction
Power-on interval	typ. 7 mm
Fused switching interval $S_{ao}$	3 mm (Position C)
	2 mm (Position D)
Fused power off interval $S_{ar}$	max. 17 mm
Switching hysteresis	min. 1 mm
	typ. 2 mm
Repeat accuracy	$\leq 10 \%$

### Connection data

#### Connection technology

pluggable	no
-----------	----

#### Conductor connection

Connection method	without
-------------------	---------

### Dimensions

# PSR-CT-C-ACT - Safety switch actuator



2702973

<https://www.phoenixcontact.com/mx/products/2702973>

Dimensional drawing	
Width	26.5 mm
Height	40 mm
Depth	18 mm
Minimum distance	140 mm (between two safety circuits) 7 mm (between sensor and actuator when traveling in the Y-direction)

## Material specifications

Housing material	PBT
------------------	-----

## Characteristics

Safety data: EN ISO 13849

Category	4
Performance level (PL)	e

Safety data: IEC 61508 - High demand

Safety Integrity Level (SIL)	3
------------------------------	---

## Environmental and real-life conditions

Ambient conditions

Degree of protection	IP65/IP67/IP69/IP69K
Ambient temperature (operation)	-25 °C ... 55 °C
Ambient temperature (storage/transport)	-40 °C ... 70 °C

## Mounting

Mounting type	not flush
Assembly instructions	Note EN ISO 14119 Maximum tightening torque to secure: 0.8 Nm
Mounting position	active surface across from sensor
Connection method	without

# PSR-CT-C-ACT - Safety switch actuator



2702973

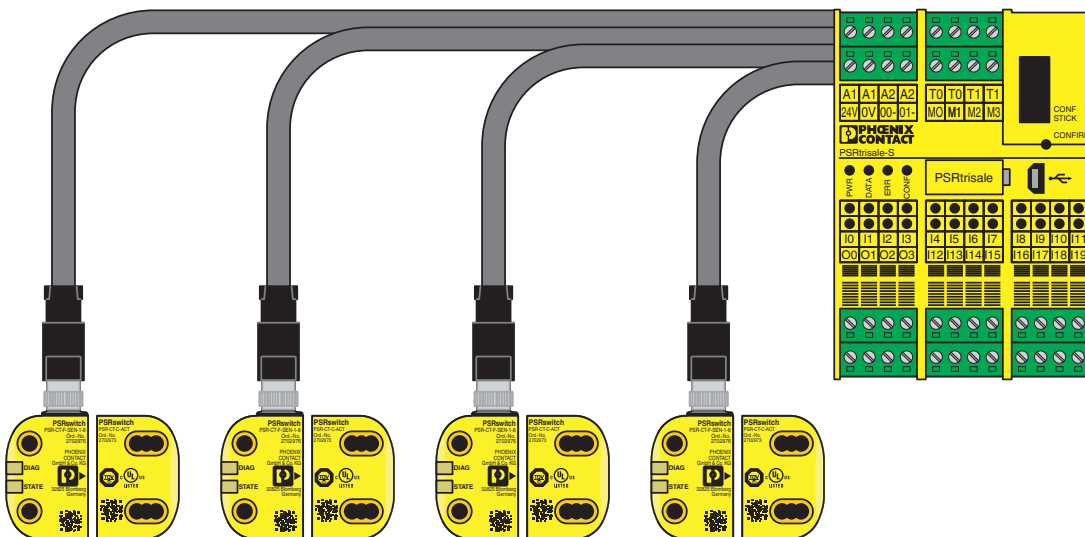
<https://www.phoenixcontact.com/mx/products/2702973>

## Drawings

Application drawing



Application drawing



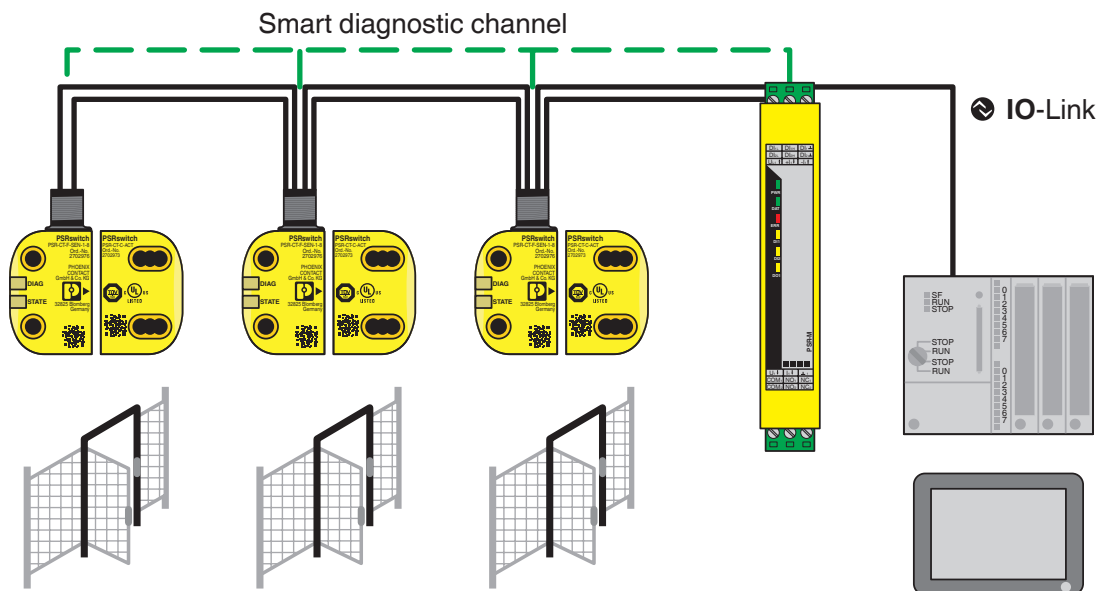
# PSR-CT-C-ACT - Safety switch actuator

2702973

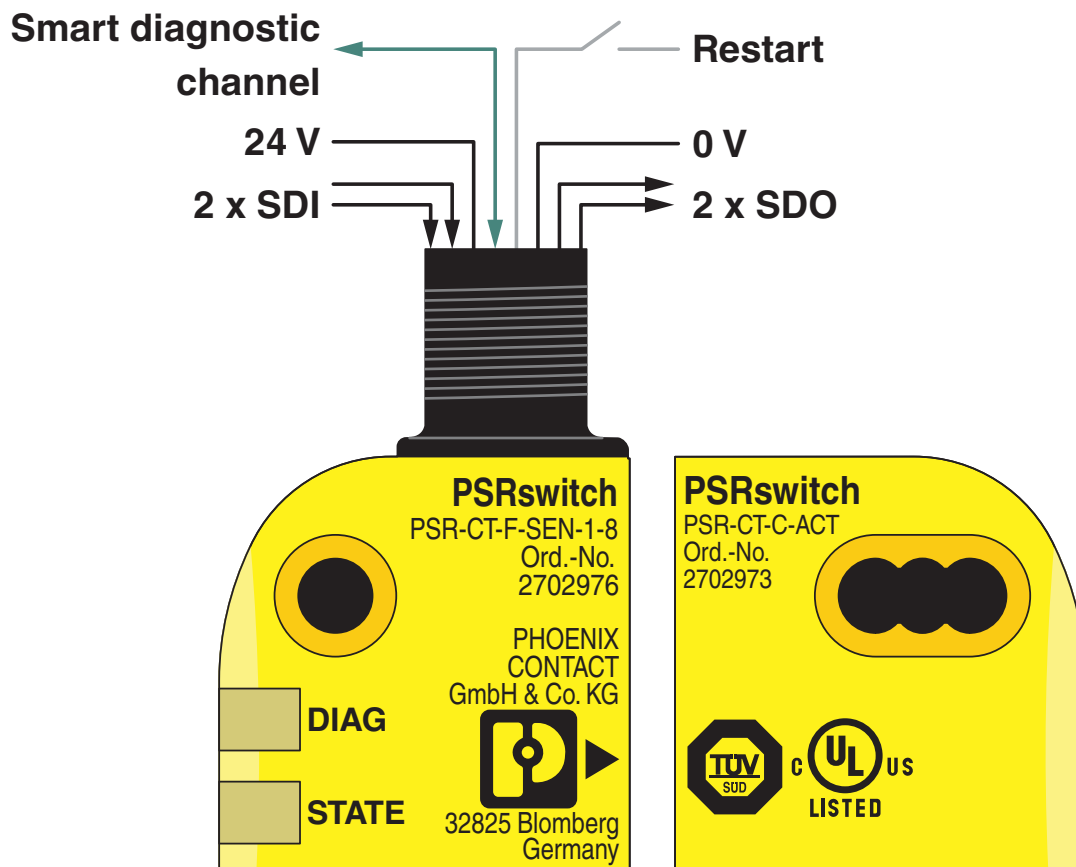
<https://www.phoenixcontact.com/mx/products/2702973>



Application drawing



Application drawing

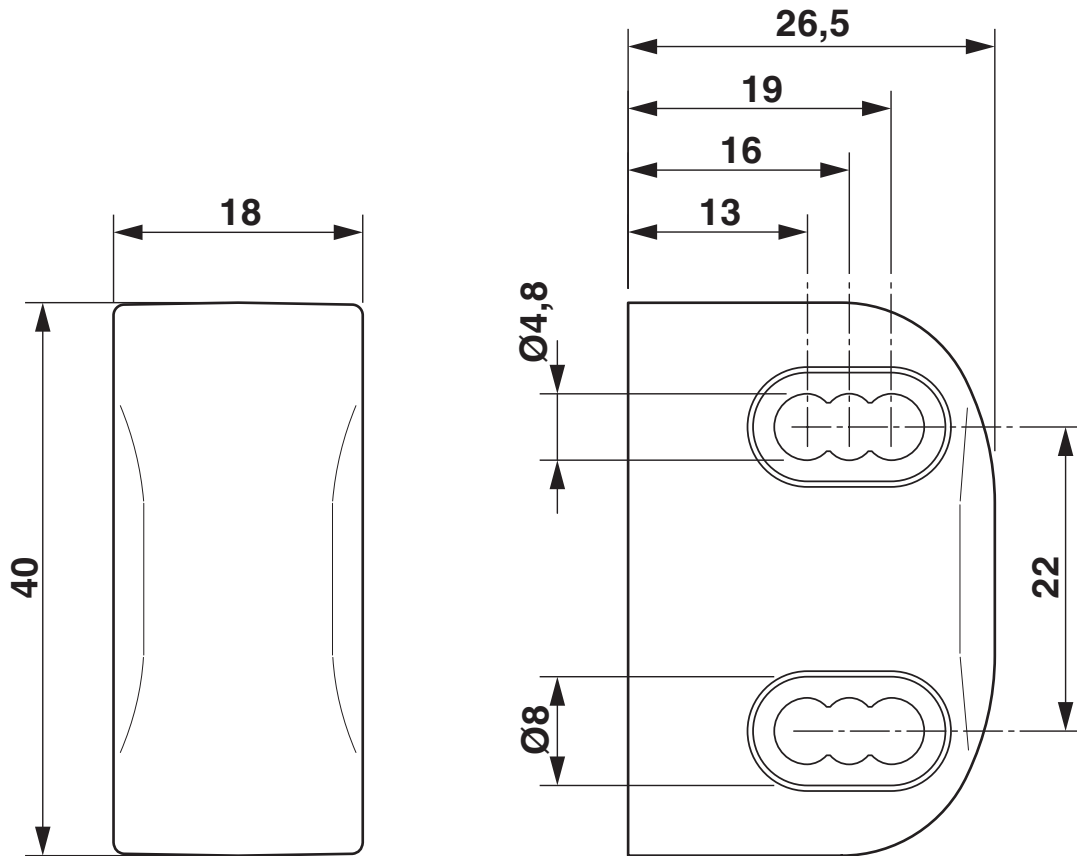


# PSR-CT-C-ACT - Safety switch actuator

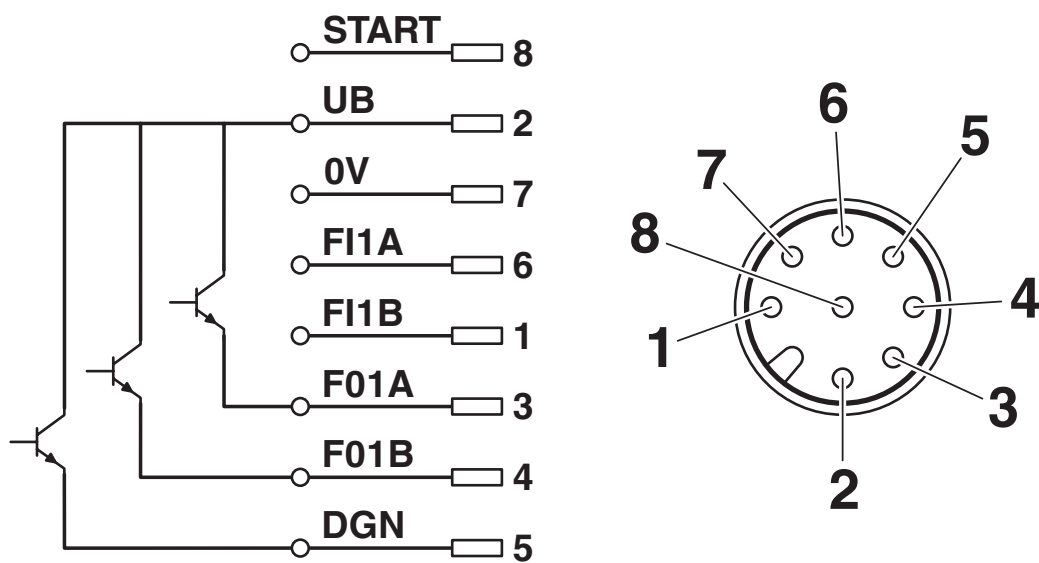
2702973

<https://www.phoenixcontact.com/mx/products/2702973>

Dimensional drawing



Connection diagram



# PSR-CT-C-ACT - Safety switch actuator



2702973

<https://www.phoenixcontact.com/mx/products/2702973>

## Approvals

To download certificates, visit the product detail page: <https://www.phoenixcontact.com/mx/products/2702973>



### UL Listed

Approval ID: FILE E 196162



### cUL Listed

Approval ID: FILE E 196162

### Functional Safety

Approval ID: Z10 18 04 29429 005

### cULus Listed



# PSR-CT-C-ACT - Safety switch actuator



2702973

<https://www.phoenixcontact.com/mx/products/2702973>

## Classifications

### ECLASS

ECLASS-11.0	27272403
ECLASS-12.0	27274601
ECLASS-13.0	27274601

### ETIM

ETIM 8.0	EC003015
----------	----------

### UNSPSC

UNSPSC 21.0	32151800
-------------	----------

# PSR-CT-C-ACT - Safety switch actuator



2702973

<https://www.phoenixcontact.com/mx/products/2702973>

## Environmental product compliance

China RoHS	Environmentally Friendly Use Period = 50 years For information on hazardous substances, refer to the manufacturer's declaration available under "Downloads"
------------	--

# PSR-CT-C-ACT - Safety switch actuator

2702973

<https://www.phoenixcontact.com/mx/products/2702973>



## Accessories

### SAC-5P-M12MS BK BR 1-2-4 - Short-circuit connector

1054366

<https://www.phoenixcontact.com/mx/products/1054366>



Termination plug for PSR-CT series RFID transponder switches, M12 male, 5-pos., closes the circuit at the last Y distributor in a series connection

---

### SAC-8PY-M/2XF BK 1-PSR - Y distributor

1054338

<https://www.phoenixcontact.com/mx/products/1054338>



Y distributor for PSR-CT series RFID transponder switches, M12 male/female, 5- and 8-pos., for safe series connection of up to 30 devices

# PSR-CT-C-ACT - Safety switch actuator

2702973

<https://www.phoenixcontact.com/mx/products/2702973>

## SAC-8PY-M/2XF BK 2-PSR - Y distributor

1054339

<https://www.phoenixcontact.com/mx/products/1054339>



Y distributor for PSR-CT series RFID transponder switches, M12 male/female, 5- and 8-pos., for implementation of a manual start circuit in the field

---

## SAC-8PY-M/2XF BK 3-PSR - Y distributor

1054341

<https://www.phoenixcontact.com/mx/products/1054341>



Y distributor for PSR-CT series RFID transponder switches, M12 male/female, 5- and 8-pos., for signal contact feedback to the PLC

# PSR-CT-C-ACT - Safety switch actuator

2702973

<https://www.phoenixcontact.com/mx/products/2702973>



## PSR-MC42-2NO-1DO-24DC-SC - Safety relays

2702901

<https://www.phoenixcontact.com/mx/products/2702901>



Safety relay with IO-Link for emergency stop, safety doors, and light grids, up to SIL 3, Cat. 4, PL e, 2 sensor circuits, automatic or manual, monitored start, 2 enabling current paths, 1 signal output,  $U_S = 24 \text{ V DC}$ , plug-in screw terminal block

---

## PSR-MC42-2NO-1DO-24DC-SP - Safety relays

2702902

<https://www.phoenixcontact.com/mx/products/2702902>



Safety relay with IO-Link for emergency stop, safety doors and light grids, up to SIL 3, Cat. 4, PL e, 2 sensor circuits, automatic or manual, monitored start, 2 enabling current paths, 1 signal output,  $U_S = 24 \text{ V DC}$ , pluggable Push-in terminal block

# PSR-CT-C-ACT - Safety switch actuator

2702973

<https://www.phoenixcontact.com/mx/products/2702973>



## PSR-MC43-2SDO-1DO-24DC-SC - Safety relay module

1087561

<https://www.phoenixcontact.com/mx/products/1087561>



Safety relay module with IO-Link for emergency stop, safety doors, and light grids, to SIL 3, cat. 4, PL e, 2 sensor circuits, automatic or manual, monitored start, 2 safe digital outputs, 1 signal output,  $U_S = 24 \text{ V DC}$ , pluggable screw terminal block

---

## PSR-MC43-2SDO-1DO-24DC-SP - Safety relay module

1087569

<https://www.phoenixcontact.com/mx/products/1087569>



Safety relay module with IO-Link for emergency stop, safety doors, and light grids, to SIL 3, Cat. 4, PL e, 2 sensor circuits, automatic or manual, monitored start, 2 safe digital outputs, 1 signal output,  $U_S = 24 \text{ V DC}$ , pluggable Push-in terminal block

---

Phoenix Contact 2023 © - all rights reserved  
<https://www.phoenixcontact.com>

PHOENIX CONTACT S.A. de C.V.  
Lago Alberto No. 319 - Piso 9  
Colonia Granada, Delegación Miguel Hidalgo, México, Ciudad de México, C.P. 11520  
+52/55/1101-1380  
[ventas@phoenixcontact.com.mx](mailto:ventas@phoenixcontact.com.mx)