

# PSR-MC42-2NO-1DO-24DC-SC - Safety relays



2702901

<https://www.phoenixcontact.com/mx/products/2702901>

Please be informed that the data shown in this PDF document is generated from our online catalog. Please find the complete data in the user documentation. Our general terms of use for downloads are valid.



Safety relay with IO-Link for emergency stop, safety doors, and light grids, up to SIL 3, Cat. 4, PL e, 2 sensor circuits, automatic or manual, monitored start, 2 enabling current paths, 1 signal output,  $U_S = 24\text{ V DC}$ , plug-in screw terminal block

## Your advantages

- 2 enabling current paths, 1 digital signal output
- Diagnostic data via IO-Link in combination with PSR-CT safety switches
- For emergency stop and safety door monitoring, plus evaluation of light grids
- Automatic and manual activation
- 1- and 2-channel control
- 2 sensor circuits
- Up to Cat. 4/PL e in accordance with ISO 13849-1, SIL 3 in accordance with EN IEC 62061, SIL 3 in accordance with IEC 61508

## Commercial data

Item number	2702901
Packing unit	1 pc
Minimum order quantity	1 pc
Sales key	02
Product key	DNA181
Catalog page	Page 224 (C-6-2019)
GTIN	4055626458540
Weight per piece (including packing)	187.65 g
Weight per piece (excluding packing)	157.28 g
Customs tariff number	85371098
Country of origin	DE

# PSR-MC42-2NO-1DO-24DC-SC - Safety relays



2702901

<https://www.phoenixcontact.com/mx/products/2702901>

## Technical data

### Product properties

Product type	Safety relays
Product family	PSRmini
Application	Emergency stop
	Safety door
	Light grid
	Solenoid switch
	Transponder
Relay type	Electromechanical relay with force-guided contacts in accordance with IEC/EN 61810-3

### Times

Typical response time	< 220 ms (automatic start)
	< 175 ms (manual, monitored start)
Typ. starting time with $U_S$	< 250 ms (when controlled via A1)
Typical release time	< 20 ms (on demand via the sensor circuit)
	< 20 ms (on demand via A1)
Restart time	< 1 s (Boot time)
Recovery time	< 500 ms

### Electrical properties

Maximum power dissipation for nominal condition	6.45 W ( $U_S = 30$ V, $U_L = 30$ V, $I^2 = 72$ A <sup>2</sup> )
Nominal operating mode	100% operating factor

### Air clearances and creepage distances between the power circuits

Rated insulation voltage	320 V
	320 V
Rated surge voltage/insulation	Basic insulation 4 kV between all current paths and housing
	Safe isolation, reinforced insulation 4 kV between input circuit and enabling current path (13/14) and enabling current path (23/24)

### Supply

Designation	L+/L-
Nominal voltage for I/O supply	24 V DC -20 % / +25 % (Provided via the IO-Link interface of the IO-Link master.)
Current consumption	typ. 16 mA
Protective circuit	Serial protection against polarity reversal; Suppressor diode

### Supply

Designation	A1/A2
Rated control circuit supply voltage $U_S$	19.2 V DC ... 30 V DC
Rated control circuit supply voltage $U_S$	24 V DC -20 % / +25 % (provide external protection)
Rated control supply current $I_S$	typ. 60 mA

# PSR-MC42-2NO-1DO-24DC-SC - Safety relays



2702901

<https://www.phoenixcontact.com/mx/products/2702901>

Power consumption at $U_S$	typ. 1.44 W
Inrush current	typ. 2.5 A ( $\Delta t = 500 \mu s$ at $U_S$ )
Filter time	1 ms (at A1 in the event of voltage dips at $U_S$ )
Protective circuit	Serial protection against polarity reversal; Suppressor diode

## Input data

Digital: Sensor circuit S0 (S12, S22)

Description of the input	safety-related sensor inputs
Number of inputs	2
Input voltage range "0" signal	0 V DC ... 5 V DC (S12) For S22, see note in "Signal generator connection versions" section.
Input voltage range "1" signal	11 V DC ... 30 V DC
Input current range "0" signal	0 mA ... 2 mA (S12, S22)
Inrush current	< 5 mA (typ. with $U_S$ at S12, $\Delta t = 150$ ms) < 5 mA (typically with $U_S$ at S22/24 V, $\Delta t = 500 \mu s$ ) > -5 mA (typically with $U_S$ at S22/0 V, $\Delta t = 500 \mu s$ )
Filter time	1.5 ms (Test pulse width of low test pulses) Test pulse rate = 5 x Test pulse width Deactivate the switch-on pulses for safety applications.
Concurrence	$\infty$
Max. permissible overall conductor resistance	150 $\Omega$
Protective circuit	Suppressor diode
Current consumption	< 5 mA (Typically with $U_S$ at S12) < 5 mA (typically with $U_S$ at S22/24 V) > -5 mA (typically with $U_S$ at S22/0 V)

Digital: Sensor circuit S1 (S32, S42)

Description of the input	safety-related sensor inputs
Number of inputs	2
Input voltage range "0" signal	0 V DC ... 5 V DC
Input voltage range "1" signal	11 V DC ... 30 V DC
Input current range "0" signal	0 mA ... 2 mA
Inrush current	< 20 mA (typically with $U_S$ )
Filter time	max. 1.5 ms (Test pulse width of low test pulses) Test pulse rate = 5 x Test pulse width Deactivate the switch-on pulses for safety applications.
Concurrence	$\infty$
Max. permissible overall conductor resistance	150 $\Omega$
Protective circuit	Suppressor diode
Current consumption	< 5 mA (typically with $U_S$ )

Digital: Diagnostic input (DGN)

Description of the input	non-safety-related
Number of inputs	1

# PSR-MC42-2NO-1DO-24DC-SC - Safety relays



2702901

<https://www.phoenixcontact.com/mx/products/2702901>

Input voltage range	0 V DC ... 30 V DC
Protective circuit	Suppressor diode
Current consumption	typ. 30 mA

## Digital: Start circuit (S34)

Number of inputs	1
Input voltage range "1" signal	19.2 V DC ... 30 V DC (manual start, autostart: 0 V)
Inrush current	< 10 mA (typically with $U_S$ , $\Delta t = 100$ ms)
Max. permissible overall conductor resistance	150 $\Omega$
Protective circuit	Suppressor diode
Current consumption	< 5 mA (typically with $U_S$ at S34/24 V) > -5 mA (typically with $U_S$ at S34/0 V)

## IO-Link

Designation	IO-Link
Transmission speed	230 kbps (COM3)
Cycle Time	5 ms
Process data update	5 ms
Amount of process data	max. 31 Byte (Input data) max. 16 Byte (Output data)
Description of the input	IO-Link switching and communication cable
Number of inputs	1
Connection method	Screw connection
Connection technology	3-conductor
Number of ports	1
Port type	Class A

## Output data

### Relay: Enabling current path (13/14, 23/24)

Output description	safety-related N/O contacts 2 NO contacts each in series, without delay, floating
Number of outputs	2 (undelayed)
Contact switching type	2 enabling current paths
Contact material	AgSnO <sub>2</sub>
Switching voltage	min. 12 V AC/DC max. 250 V AC/DC (Observe the load curve)
Switching capacity	min. 60 mW
Inrush current	min. 3 mA max. 6 A
Switching capacity in accordance with IEC 60947-5-1	4 A (24 V (DC13)) 5 A (250 V (AC15))
Limiting continuous current	6 A
Sq. Total current	72 A <sup>2</sup> (observe derating)
Switching frequency	0.5 Hz

# PSR-MC42-2NO-1DO-24DC-SC - Safety relays



2702901

<https://www.phoenixcontact.com/mx/products/2702901>

Mechanical service life	10x 10 <sup>6</sup> cycles
Output fuse	6 A gL/gG
	4 A gL/gG (for low-demand applications)

Signal: M1

Output description	PNP
	non-safety-related
Number of outputs	1
Voltage	approx. 22 V DC (U <sub>s</sub> - 2 V)
Current	max. 100 mA
Maximum inrush current	500 mA (Δt = 1 ms at U <sub>s</sub> )
Protective circuit	Suppressor diode

## Connection data

Connection technology

pluggable	yes
-----------	-----

Conductor connection

Connection method	Screw connection
Conductor cross section rigid	0.2 mm <sup>2</sup> ... 2.5 mm <sup>2</sup>
Conductor cross section flexible	0.2 mm <sup>2</sup> ... 2.5 mm <sup>2</sup>
Conductor cross-section AWG	24 ... 12
Stripping length	7 mm
Screw thread	M3
Tightening torque	0.5 Nm ... 0.6 Nm

## Signaling

Status display	5x LED green
Operating voltage display	1 x green, yellow, red LED

## Dimensions

Width	17.5 mm
Height	112.2 mm
Depth	114.5 mm

## Material specifications

Housing material	Polyamide
------------------	-----------

## Characteristics

Safety data

Stop category	0
---------------	---

Safety data: EN ISO 13849

Category	4
Performance level (PL)	e (4 A DC13; 5 A AC15; 8760 switching cycles/year)

# PSR-MC42-2NO-1DO-24DC-SC - Safety relays



2702901

<https://www.phoenixcontact.com/mx/products/2702901>

Safety data: IEC 61508 - High demand

Safety Integrity Level (SIL)	3
------------------------------	---

Safety data: IEC 61508 - Low demand

Safety Integrity Level (SIL)	3
------------------------------	---

Safety data: EN IEC 62061

Safety Integrity Level (SIL)	3
------------------------------	---

## Environmental and real-life conditions

Ambient conditions

Degree of protection	IP20
Min. degree of protection of inst. location	IP54
Ambient temperature (operation)	-25 °C ... 60 °C (observe derating)
Ambient temperature (storage/transport)	-40 °C ... 85 °C
Maximum altitude	≤ 2000 m (Above sea level)
Max. permissible humidity (storage/transport)	75 % (on average, 85% infrequently, non-condensing)
Max. permissible relative humidity (operation)	75 % (on average, 85% infrequently, non-condensing)
Shock	15g
Vibration (operation)	10 Hz ... 150 Hz, 2g

## Approvals

CE

Identification	CE-compliant
----------------	--------------

## Standards and regulations

Air clearances and creepage distances between the power circuits

Standards/regulations	DIN EN 60947-1
-----------------------	----------------

## Mounting

Mounting type	DIN rail mounting
Assembly instructions	See derating curve
Mounting position	vertical or horizontal
Connection method	Screw connection

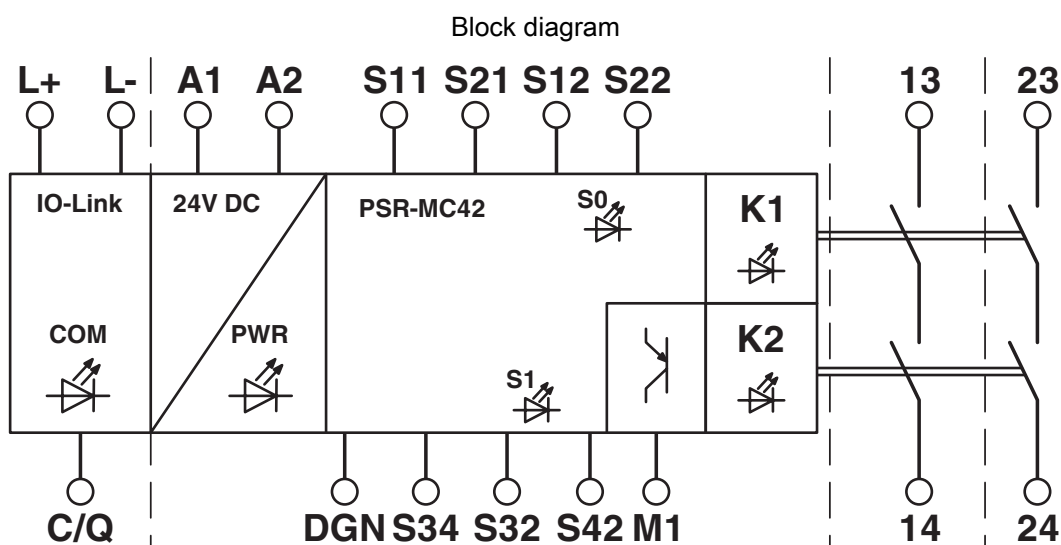
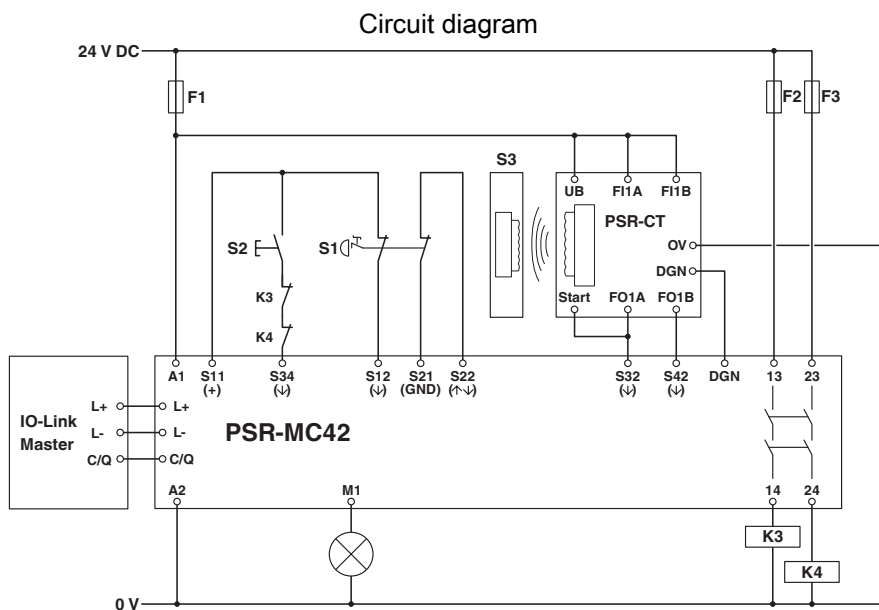
# PSR-MC42-2NO-1DO-24DC-SC - Safety relays



2702901

<https://www.phoenixcontact.com/mx/products/2702901>

## Drawings



Block diagram

# PSR-MC42-2NO-1DO-24DC-SC - Safety relays



2702901

<https://www.phoenixcontact.com/mx/products/2702901>

## Approvals

To download certificates, visit the product detail page: <https://www.phoenixcontact.com/mx/products/2702901>



### UL Listed

Approval ID: FILE E 140324



### cUL Listed

Approval ID: FILE E 140324



### Functional Safety

Approval ID: 01/205/5677.01/22



### Functional Safety

Approval ID: 968/FSP 1718.01/22

cULus Listed



# PSR-MC42-2NO-1DO-24DC-SC - Safety relays



2702901

<https://www.phoenixcontact.com/mx/products/2702901>

## Classifications

### ECLASS

ECLASS-11.0	27371819
ECLASS-13.0	27371819
ECLASS-12.0	27371819

### ETIM

ETIM 8.0	EC001449
----------	----------

### UNSPSC

UNSPSC 21.0	39122200
-------------	----------

# PSR-MC42-2NO-1DO-24DC-SC - Safety relays



2702901

<https://www.phoenixcontact.com/mx/products/2702901>

## Environmental product compliance

REACH SVHC	Lead 7439-92-1
China RoHS	Environmentally Friendly Use Period = 50 years
	For information on hazardous substances, refer to the manufacturer's declaration available under "Downloads"

# PSR-MC42-2NO-1DO-24DC-SC - Safety relays



2702901

<https://www.phoenixcontact.com/mx/products/2702901>

## Accessories

### PSR-CT-C-SEN-1-8 - Safety switch sensor

2702972

<https://www.phoenixcontact.com/mx/products/2702972>



Proximity safety circuit up to Cat. 4, PL e (EN ISO 13849), SIL 3 (IEC 61508), unicode sensor with RFID coding, model 4 (EN ISO 14119), automatic or manual start, integrated diagnostics, 24 V DC supply, IP69K, M12 connector

---

### PSR-CT-M-SEN-1-8 - Safety switch sensor

2702975

<https://www.phoenixcontact.com/mx/products/2702975>



Proximity safety circuit up to Cat. 4, PL e (EN ISO 13849), SIL 3 (IEC 61508), multicode sensor with RFID coding, model 4 (EN ISO 14119), automatic or manual start, integrated diagnostics, 24 V DC supply, IP69K, M12 connector

# PSR-MC42-2NO-1DO-24DC-SC - Safety relays



2702901

<https://www.phoenixcontact.com/mx/products/2702901>

## PSR-CT-F-SEN-1-8 - Safety switch sensor

2702976

<https://www.phoenixcontact.com/mx/products/2702976>



Proximity safety circuit up to Cat. 4, PL e (EN ISO 13849), SIL 3 (IEC 61508), fixcode sensor with RFID coding, model 4 (EN ISO 14119), automatic or manual start, integrated diagnostics, 24 V DC supply, IP69K, M12 connector

---

## PSR-CT-C-ACT - Safety switch actuator

2702973

<https://www.phoenixcontact.com/mx/products/2702973>



Proximity safety circuit up to Cat. 4, PL e (EN ISO 13849), SIL 3 (IEC 61508), coded actuator, compatible with all sensor coding types, supplied inductively via the sensor, IP69K

# PSR-MC42-2NO-1DO-24DC-SC - Safety relays



2702901

<https://www.phoenixcontact.com/mx/products/2702901>

## IOL-CONF - Network management software

1083065

<https://www.phoenixcontact.com/mx/products/1083065>



IOL-CONF is a browser-based configuration software tool for the easy startup of IO-Link masters and IO-Link devices

---

Phoenix Contact 2023 © - all rights reserved

<https://www.phoenixcontact.com>

PHOENIX CONTACT S.A. de C.V.

Lago Alberto No. 319 - Piso 9

Colonia Granada, Delegación Miguel Hidalgo, México, Ciudad de México, C.P. 11520

+52/55/1101-1380

[ventas@phoenixcontact.com.mx](mailto:ventas@phoenixcontact.com.mx)