

PSR-PS23-1NO-1NC-24VDC-SC - Coupling relay



2702663

<https://www.phoenixcontact.com/mx/products/2702663>

Please be informed that the data shown in this PDF document is generated from our online catalog. Please find the complete data in the user documentation. Our general terms of use for downloads are valid.



Coupling relay for SIL 3 high and low-demand applications, couples digital output signals to the I/O, 1 enabling current path, 1 confirmation current path, safe state off applications, test pulse filter, fixed screw terminal block

Your advantages

- Force-guided contacts in accordance with EN 50205
- Easy proof test according to IEC 61508
- Suitable for high and low-demand applications up to SIL 3 in accordance with IEC 61508, IEC 61511, and EN 50156
- Low housing width of just 6.8 mm
- Long service life thanks to filtering of controller test pulses
- 1 enabling current path, 1 diagnostic current path
- Integrated DCS test pulse filter
- Corrosion protection through protective coating on the PCB

Commercial data

Item number	2702663
Packing unit	1 pc
Minimum order quantity	1 pc
Sales key	02
Product key	DNA172
Catalog page	Page 250 (C-6-2019)
GTIN	4055626280233
Weight per piece (including packing)	160 g
Weight per piece (excluding packing)	69.368 g
Customs tariff number	85364900
Country of origin	DE

Technical data

Notes

Utilization restriction

CCCex note	Use in potentially explosive areas is not permitted in China.
------------	---

Product properties

Product type	Coupling relay
Product family	PSRmini
Application	Safe switch off
	High demand
	Low demand
	Ex
Mechanical service life	10x 10 ⁶ cycles
Relay type	Electromechanical relay with force-guided contacts in accordance with IEC/EN 61810-3

Times

Typ. starting time with U _s	< 70 ms (with U _s when controlled via A1)
Typical release time	< 10 ms (when controlled via A1)
Recovery time	500 ms

Electrical properties

Maximum power dissipation for nominal condition	3.49 W (I _L ² = 36 A ²)
Nominal operating mode	100% operating factor

Air clearances and creepage distances between the power circuits

Rated insulation voltage	250 V AC
Rated surge voltage/insulation	Basic insulation 4 kV between all current paths and housing
	Safe isolation, 6 kV reinforced insulation from the control circuit and confirmation current path to the enabling current path

Supply

Designation	A1/A2
Rated control circuit supply voltage U _s	19.2 V DC ... 30 V DC
Rated control circuit supply voltage U _s	24 V DC -20 % / +25 %
Rated control supply current I _s	typ. 45 mA
Power consumption at U _s	typ. 1.08 W
Inrush current	typ. 120 mA (Δt < 10 ms at U _s)
Filter time	max. 2 ms (at A1-A2 in the event of voltage dips at U _s)
	max. 2 ms (at A1-A2; low test pulse width)
	> 30 ms (at A1-A2; low test pulse rate)
	max. 2 ms (at A1-A2; high test pulse width)
	> 1 s (at A1-A2; high test pulse rate)
Protective circuit	Serial protection against polarity reversal; 35 V suppressor diode

PSR-PS23-1NO-1NC-24VDC-SC - Coupling relay



2702663

<https://www.phoenixcontact.com/mx/products/2702663>

Output data

Relay: Enabling current path

Output description	2 N/O contacts in series, without delay, floating
Number of outputs	1 (safety-related N/O contacts: 13/14)
Contact switching type	1 enabling current path
Contact material	AgSnO ₂
Switching voltage	min. 12 V AC/DC max. 250 V AC/DC (Observe the load curve)
Switching capacity	min. 60 mW
Inrush current	min. 3 mA max. 6 A
Switching capacity in accordance with IEC 60947-5-1	4 A (24 V (DC13)) 5 A (250 V (AC15))
Limiting continuous current	6 A (High demand) 4 A (Low demand)
Sq. Total current	36 A ² (observe derating)
Switching frequency	max. 1 Hz
Mechanical service life	10x 10 ⁶ cycles
Output fuse	6 A gL/gG 4 A gL/gG (for low-demand applications)

Relay: Confirmation current path

Output description	2 N/C contacts in series, without delay, floating
Number of outputs	1 (safety-related N/C contacts: 21/22)
Contact switching type	1 confirmation current path
Contact material	AgCuNi, + Au
Switching voltage	min. 5 V DC max. 30 V DC
Switching capacity	min. 20 mW
Inrush current	min. 1 mA max. 100 mA
Limiting continuous current	100 mA
Switching frequency	max. 1 Hz
Mechanical service life	10x 10 ⁶ cycles
Output fuse	150 mA Fast-blow

Connection data

Connection technology

pluggable	no
-----------	----

Conductor connection

Connection method	Screw connection
Conductor cross section rigid	0.2 mm ² ... 2.5 mm ²

PSR-PS23-1NO-1NC-24VDC-SC - Coupling relay



2702663

<https://www.phoenixcontact.com/mx/products/2702663>

Conductor cross section flexible	0.2 mm ² ... 2.5 mm ²
Conductor cross-section AWG	24 ... 12
Stripping length	12 mm
Screw thread	M3
Tightening torque	0.5 Nm ... 0.6 Nm

Signaling

Status display	1 x green LED
Operating voltage display	1 x yellow LED

Dimensions

Width	6.8 mm
Height	93.1 mm
Depth	102.5 mm

Material specifications

Housing material	PBT
------------------	-----

Characteristics

Safety data

Stop category	0
---------------	---

Safety data: EN 50156-2

Safety Integrity Level (SIL)	3 (Reference IEC 61508)
------------------------------	-------------------------

Safety data: IEC 61508 - High demand

Safety Integrity Level (SIL)	3
------------------------------	---

Safety data: IEC 61508 - Low demand

Safety Integrity Level (SIL)	3
------------------------------	---

Environmental and real-life conditions

Ambient conditions

Degree of protection	IP20
Min. degree of protection of inst. location	IP54
Ambient temperature (operation)	-40 °C ... 70 °C (observe derating)
Ambient temperature (storage/transport)	-40 °C ... 85 °C
Maximum altitude	≤ 2000 m (Above sea level)
Max. permissible humidity (storage/transport)	75 % (on average, 85% infrequently, non-condensing)
Max. permissible relative humidity (operation)	75 % (on average, 85% infrequently, non-condensing)
Shock	15g
Vibration (operation)	10 Hz ... 150 Hz, 2g

Approvals

ATEX

PSR-PS23-1NO-1NC-24VDC-SC - Coupling relay



2702663

<https://www.phoenixcontact.com/mx/products/2702663>

Identification	Ⓜ II 3G Ex ec nC IIC T4 Gc
Certificate	UL 22 ATEX 2912X

IECEX

Identification	Ex ec nC IIC T4 Gc
Certificate	IECEX UL 22.0037X

UL, USA/Canada

Identification	cULus
Certificate	E140324

UL Ex, USA / Canada

Identification	Class I, Zone 2, AEx nA nC IIC T4 / Ex nA nC IIC Gc T4 X Class I, Div. 2, Groups A, B, C, D, T4
Certificate	E360692

CE

Identification	CE-compliant
----------------	--------------

Environmental simulation test

Identification	G3
Certificate	ISA-S71.04

CCC / China-Ex

Identification	Ex ec nC IIC T4 Gc
Certificate	2022122304115695

Standards and regulations

Air clearances and creepage distances between the power circuits

Standards/regulations	EN 60664-1, EN 60079-7, EN 60079-15
-----------------------	-------------------------------------

Mounting

Mounting type	DIN rail mounting
Assembly instructions	See derating curve
Mounting position	vertical or horizontal
Connection method	Screw connection

PSR-PS23-1NO-1NC-24VDC-SC - Coupling relay

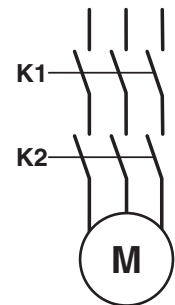
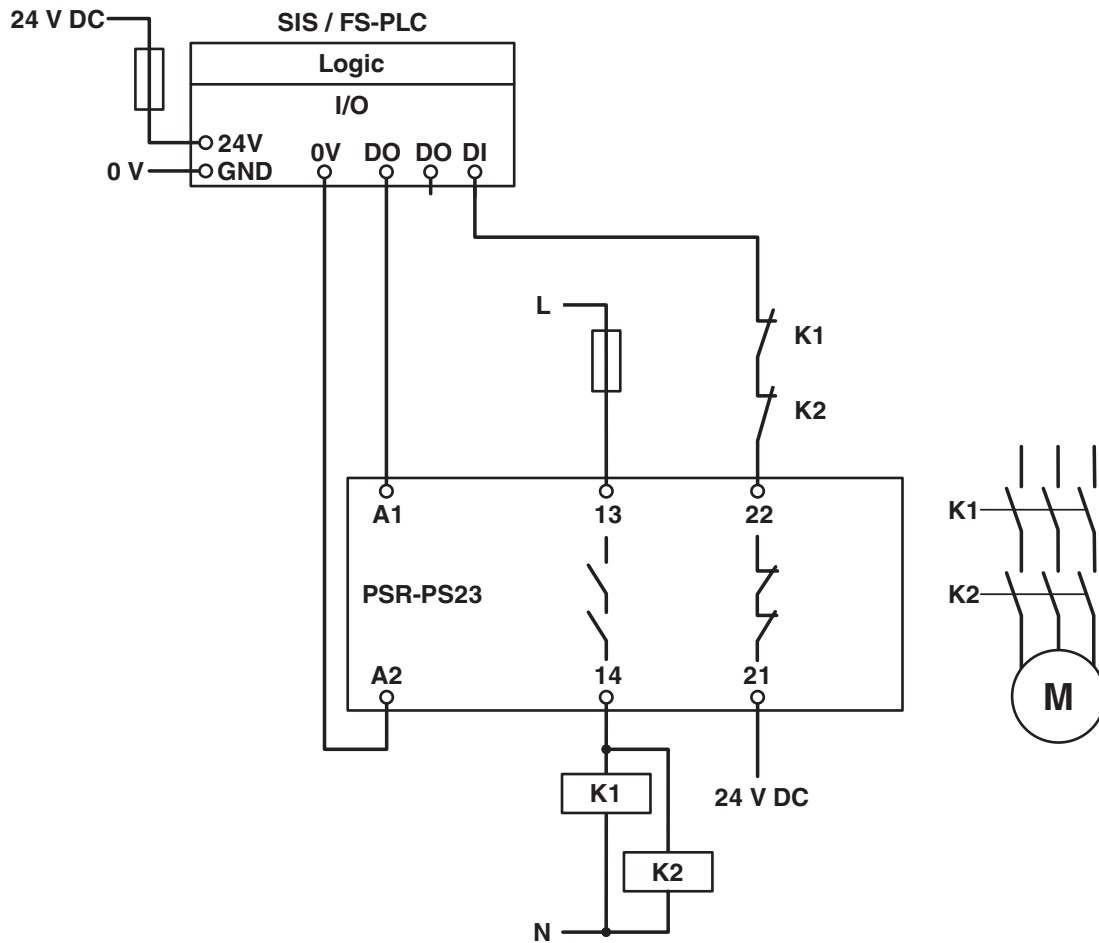


2702663

<https://www.phoenixcontact.com/mx/products/2702663>

Drawings

Circuit diagram

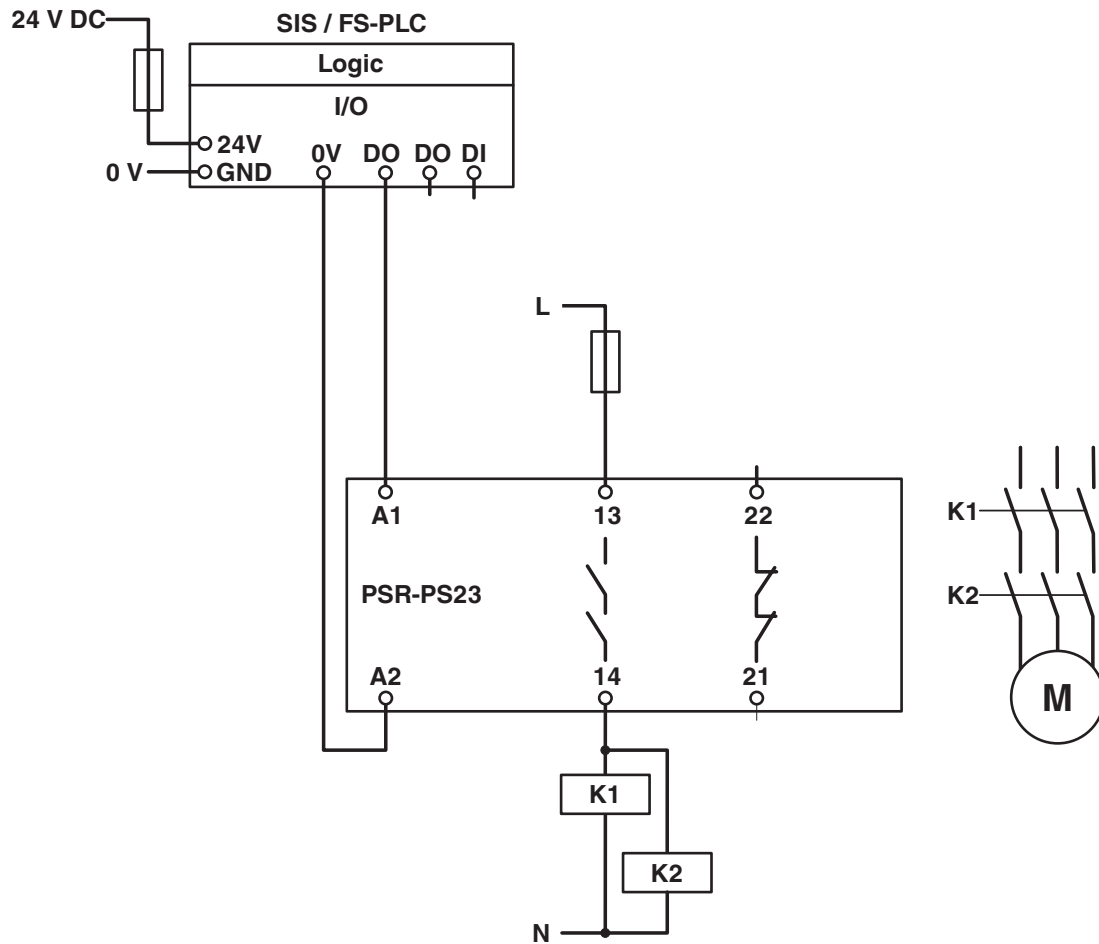


PSR-PS23-1NO-1NC-24VDC-SC - Coupling relay

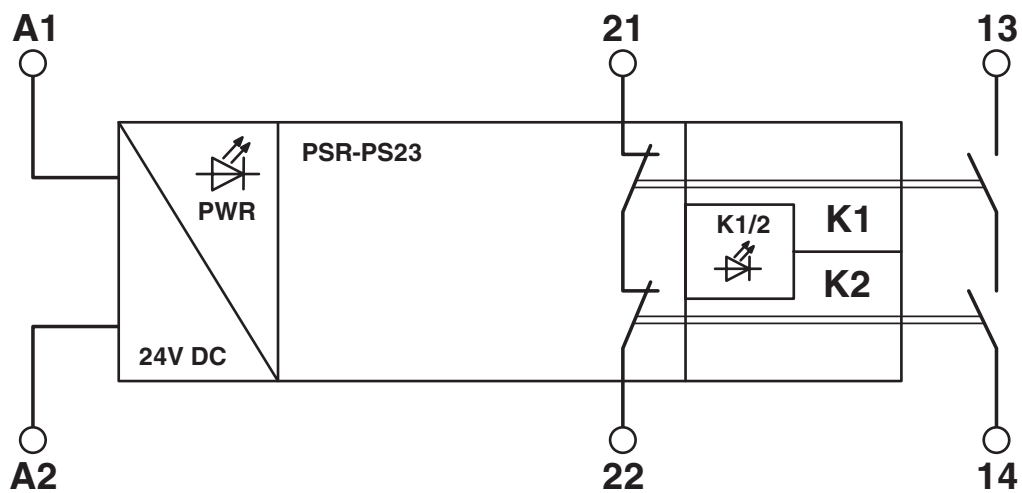
2702663

<https://www.phoenixcontact.com/mx/products/2702663>

Circuit diagram



Block diagram



Block diagram

2702663

<https://www.phoenixcontact.com/mx/products/2702663>

Approvals

To download certificates, visit the product detail page: <https://www.phoenixcontact.com/mx/products/2702663>



UL Listed

Approval ID: FILE E 140324



cUL Listed

Approval ID: FILE E 140324



Functional Safety

Approval ID: 44-780-15124307



IECEx

Approval ID: IECEx ULD 14.0003 X



cUL Listed

Approval ID: File E 360692



UL Listed

Approval ID: File E 360692



ATEX

Approval ID: DEMKO 14 ATEX 1284 X

cULus Listed

cULus Listed

PSR-PS23-1NO-1NC-24VDC-SC - Coupling relay



2702663

<https://www.phoenixcontact.com/mx/products/2702663>

Classifications

ECLASS

ECLASS-11.0	27371819
ECLASS-13.0	27371819
ECLASS-12.0	27371819

ETIM

ETIM 8.0	EC001449
----------	----------

UNSPSC

UNSPSC 21.0	39122205
-------------	----------

PSR-PS23-1NO-1NC-24VDC-SC - Coupling relay



2702663

<https://www.phoenixcontact.com/mx/products/2702663>

Environmental product compliance

REACH SVHC	Lead 7439-92-1
China RoHS	Environmentally Friendly Use Period = 50 years
	For information on hazardous substances, refer to the manufacturer's declaration available under "Downloads"

PSR-PS23-1NO-1NC-24VDC-SC - Coupling relay



2702663

<https://www.phoenixcontact.com/mx/products/2702663>

Accessories

ZBF 6:UNBEDRUCKT - Zack Marker strip, flat

0808710

<https://www.phoenixcontact.com/mx/products/0808710>



Zack Marker strip, flat, Strip, white, unlabeled, can be labeled with: PLOTMARK, CMS-P1-PLOTTER, mounting type: snapped, for terminal block width: 6.2 mm, lettering field size: 5.15 x 6.15 mm, Number of individual labels: 10

Phoenix Contact 2023 © - all rights reserved
<https://www.phoenixcontact.com>

PHOENIX CONTACT S.A. de C.V.
Lago Alberto No. 319 - Piso 9
Colonia Granada, Delegación Miguel Hidalgo, México, Ciudad de México, C.P. 11520
+52/55/1101-1380
ventas@phoenixcontact.com.mx