

PSR-MM25-1NO-2DO-24DC-SC - Safety relay module



2702355

<https://www.phoenixcontact.com/ae/products/2702355>

Please be informed that the data shown in this PDF document is generated from our online catalog. Please find the complete data in the user documentation. Our general terms of use for downloads are valid.



Safety relay module for sensor-free zero-speed monitoring for 3- and 1-phase motors up to SIL 3, Cat. 3, PL e, 2-channel evaluation of the residual voltage of AC, three-phase, and DC motors, plug-in screw terminal block, width: 12.5 mm

Your advantages

- Monitoring of 1 and 3-phase AC or DC motors
- No additional sensors required
- Adjustable delay time from 0.5 s ... 20 s
- Adjustable switching threshold from 50 mV... 500 mV
- 1 enabling current path, 2 digital signal outputs
- Low housing width of just 12.5 mm
- Up to Cat. 3/PL e in accordance with EN ISO 13849-1, SIL 3 in accordance with EN IEC 62061

Commercial data

| | |
|--------------------------------------|---------------------|
| Item number | 2702355 |
| Packing unit | 1 pc |
| Minimum order quantity | 1 pc |
| Sales key | DNA |
| Product key | DNA241 |
| Catalog page | Page 243 (C-6-2019) |
| GTIN | 4055626133201 |
| Weight per piece (including packing) | 152.5 g |
| Weight per piece (excluding packing) | 152.5 g |
| Customs tariff number | 90328900 |
| Country of origin | DE |

Technical data

Product properties

| | |
|--------------|-------------------------|
| Product type | Safety device |
| Application | Zero-speed safety relay |

Times

| | |
|-------------------------------|--|
| Typ. starting time with U_s | < 1 s |
| Response time | typ. 20 ms (at 50 Hz input frequency) |
| Delay time range | 0.5 s ... 20 s \pm 1 % (K1, K2 can be parameterized) |

Electrical properties

| | |
|------------------------|-----------------------|
| Nominal operating mode | 100% operating factor |
| Interfaces | Without sensor |

Air clearances and creepage distances between the power circuits

| | |
|--------------------------------|---|
| Rated insulation voltage | 250 V AC |
| | 250 V AC |
| | 400 V AC with isolation paths between (L1/L2/L3) and the remaining current paths |
| | 690 V AC (with isolation paths within L1/L2/L3) |
| Rated surge voltage/insulation | Basic insulation 4 kV: between all current paths and housing |
| | Basic insulation 8 kV: between L1 and L2 between L1 and L3 between L2 and L3 |
| | Safe isolation, reinforced insulation 6 kV: between A1/A2 and 13/14 between MO/FO and 13/14 |
| | Safe isolation, reinforced insulation 8 kV: between L1/L2/L3 and A1/A2 between L1/L2/L3 and MO/FO between L1/L2/L3 and 13/14 |

Supply

| | |
|--|---|
| Rated control circuit supply voltage U_s | 20.4 V DC ... 26.4 V DC |
| Rated control circuit supply voltage U_s | 24 V DC -15 % / +10 % |
| Rated control supply current I_s | typ. 50 mA |
| Power consumption at U_s | typ. 1.2 W |
| Inrush current | 5.6 A ($\Delta t = 400 \mu s$ at U_s) |
| Filter time | 1 ms (at A1 in the event of voltage dips at U_s) |
| Protective circuit | Surge protection; Suppressor diode |
| | Protection against polarity reversal for rated control circuit supply voltage |

Input data

Measurement

| | |
|----------------------|--|
| Voltage input signal | max. 690 V AC/DC (at L1/L2/L3) |
| Limit frequency | max. 3 kHz (At voltages > 2 V _{RMS}) |
| Current consumption | max. 0.35 mA (at L1/L2/L3) |

Output data

Relay: Enabling current path

| | |
|-----------------------------|--|
| Output description | safety-related N/O contacts |
| Number of outputs | 1 (undelayed) |
| Contact switching type | 1 enabling current path |
| Contact material | AgSnO ₂ |
| Switching voltage | min. 24 V AC/DC max. 250 V AC/DC (Observe the load curve) |
| Switching capacity | min. 72 mW |
| Inrush current | min. 3 mA max. 5 A |
| Limiting continuous current | 5 A (observe derating) |
| Sq. Total current | 25 A ² (observe derating) |
| Switching frequency | max. 0.5 Hz |
| Mechanical service life | 10x 10 ⁶ cycles |
| Output fuse | 5 A gL/gG |

Signal

| | |
|--------------------------|--------------------------------|
| Number of outputs | 2 (digital, PNP) |
| Voltage | 23 V DC (U _S - 1 V) |
| Current | max. 100 mA |
| Maximum inrush current | 500 mA |
| Short-circuit protection | Yes |

Connection data

Connection technology

| | |
|-----------|-----|
| pluggable | yes |
|-----------|-----|

Conductor connection

| | |
|---|---|
| Connection method | Screw connection |
| Conductor cross section rigid | 0.2 mm ² ... 2.5 mm ² |
| Conductor cross section flexible | 0.2 mm ² ... 2.5 mm ² |
| Conductor cross section, flexible, with ferrule, with plastic sleeve | 0.2 mm ² ... 2.5 mm ² |
| Conductor cross section flexible, with ferrule without plastic sleeve | 0.2 mm ² ... 2.5 mm ² |
| Conductor cross-section AWG | 24 ... 12 |
| Stripping length | 7 mm |
| Screw thread | M3 |

Signaling

| | |
|----------------|-------------------|
| Status display | 4 x LED Bi-Colour |
|----------------|-------------------|

Dimensions

| | |
|--------|----------|
| Width | 12.5 mm |
| Height | 112.2 mm |
| Depth | 114.5 mm |

Material specifications

| | |
|------------------|-----------|
| Housing material | Polyamide |
|------------------|-----------|

Characteristics

Safety data

| | |
|---------------|---|
| Stop category | 0 |
|---------------|---|

Safety data: EN ISO 13849

| | |
|------------------------|---|
| Category | 3 |
| Performance level (PL) | e (4 A DC13; 5 A AC15; 17520 switching cycles/year) |

Safety data: IEC 61508 - High demand

| | |
|------------------------------|---|
| Safety Integrity Level (SIL) | 3 (4 A DC13; 5 A AC15; 17520 switching cycles/year) |
|------------------------------|---|

Safety data: EN IEC 62061

| | |
|------------------------------|---|
| Safety Integrity Level (SIL) | 3 (4 A DC13; 5 A AC15; 17520 switching cycles/year) |
|------------------------------|---|

Environmental and real-life conditions

Ambient conditions

| | |
|--|---|
| Degree of protection | IP20 |
| Min. degree of protection of inst. location | IP54 |
| Ambient temperature (operation) | -20 °C ... 55 °C (observe derating) |
| Ambient temperature (storage/transport) | -40 °C ... 85 °C |
| Maximum altitude | max. 2000 m (Above sea level) |
| Max. permissible humidity (storage/transport) | 75 % (on average, 85% infrequently, non-condensing) |
| Max. permissible relative humidity (operation) | 75 % (on average, 85% infrequently, non-condensing) |
| Shock | 15g |
| Vibration (operation) | 10 Hz ... 150 Hz, 2g |

Approvals

CE

| | |
|-------------|--------------|
| Certificate | CE-compliant |
|-------------|--------------|

Standards and regulations

Air clearances and creepage distances between the power circuits

| | |
|-----------------------|--------------|
| Standards/regulations | DIN EN 50178 |
|-----------------------|--------------|

2702355

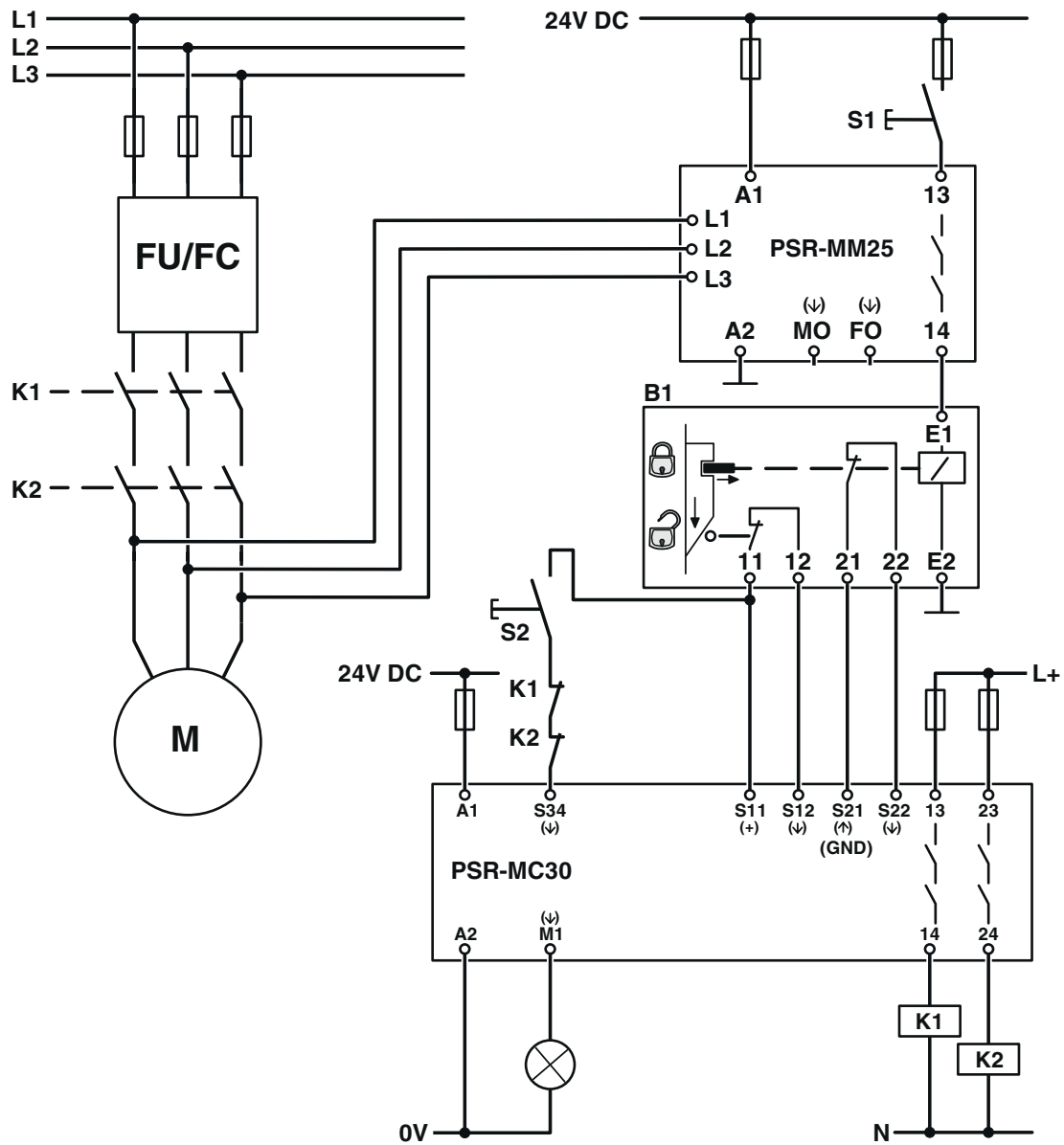
<https://www.phoenixcontact.com/ae/products/2702355>

Mounting

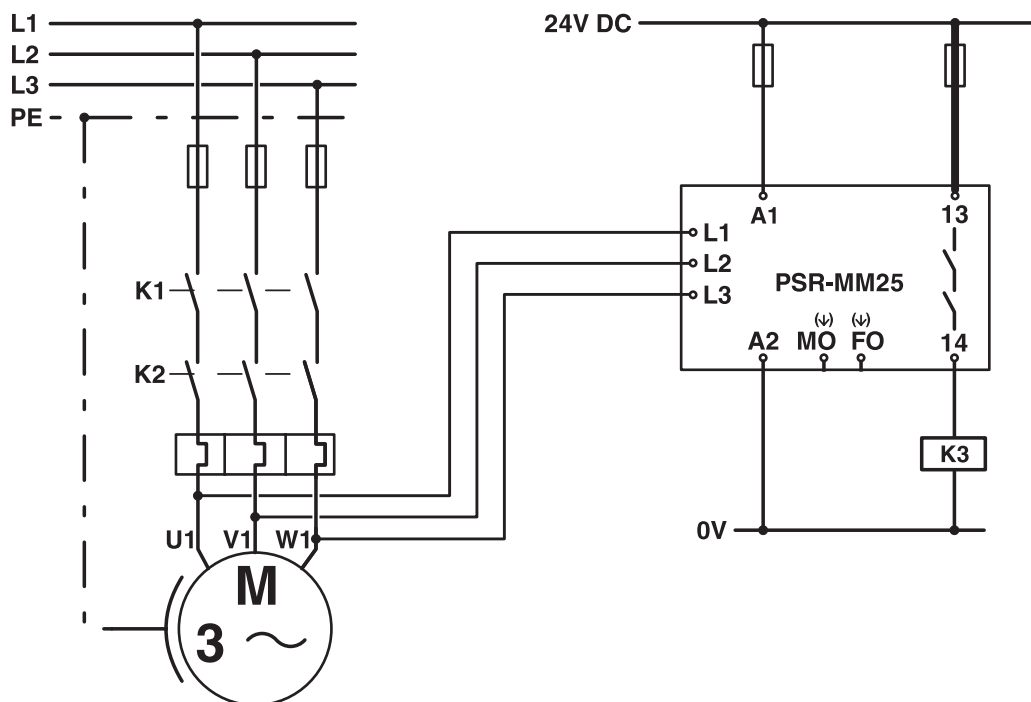
| | |
|-----------------------|------------------------|
| Mounting type | DIN rail mounting |
| Assembly instructions | See derating curve |
| Mounting position | vertical or horizontal |
| Connection method | Screw connection |

Drawings

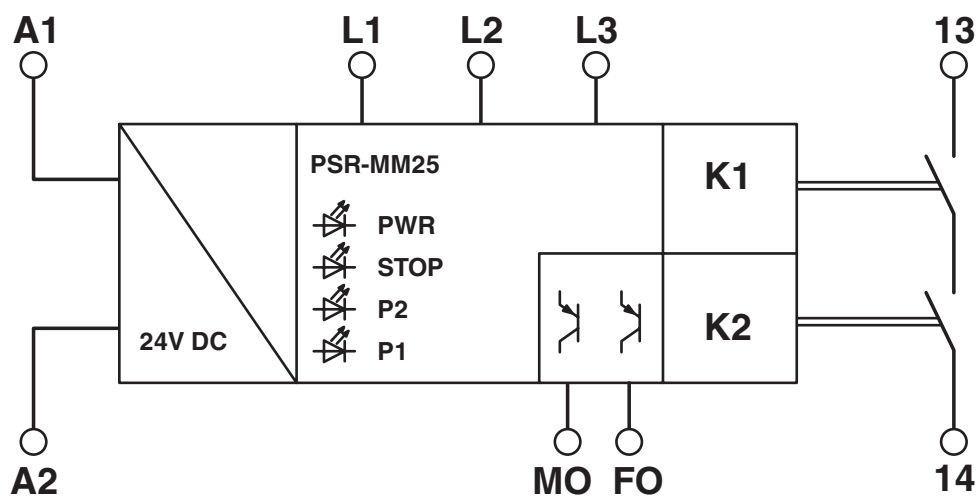
Circuit diagram



Circuit diagram



Block diagram



Block diagram

2702355

<https://www.phoenixcontact.com/ae/products/2702355>

Approvals

To download certificates, visit the product detail page: <https://www.phoenixcontact.com/ae/products/2702355>



UL Listed

Approval ID: FILE E 140324



cUL Listed

Approval ID: FILE E 140324



Functional Safety

Approval ID: 01/205/5492.01/21



Functional Safety

Approval ID: 968/FSP 1226.02/21

cULus Listed

2702355

<https://www.phoenixcontact.com/ae/products/2702355>

Classifications

ECLASS

| | |
|-------------|----------|
| ECLASS-11.0 | 27371811 |
| ECLASS-12.0 | 27371811 |
| ECLASS-13.0 | 27371811 |

ETIM

| | |
|----------|----------|
| ETIM 9.0 | EC001448 |
|----------|----------|

UNSPSC

| | |
|-------------|----------|
| UNSPSC 21.0 | 39122300 |
|-------------|----------|

PSR-MM25-1NO-2DO-24DC-SC - Safety relay module



2702355

<https://www.phoenixcontact.com/ae/products/2702355>

Environmental product compliance

| | |
|------------|--|
| China RoHS | Environmentally Friendly Use Period = 50 years For information on hazardous substances, refer to the manufacturer's declaration available under "Downloads" |
|------------|--|

2702355

<https://www.phoenixcontact.com/ae/products/2702355>

Accessories

C-RCI 2,5/M4 - Ring cable lug

3240023

<https://www.phoenixcontact.com/ae/products/3240023>



Ring cable lug, blue, 1.5 ... 2.5 mm², M4

C-RCI 2,5/M6 - Ring cable lug

3240025

<https://www.phoenixcontact.com/ae/products/3240025>



Ring cable lug, blue, 1.5 ... 2.5 mm², M6

2702355

<https://www.phoenixcontact.com/ae/products/2702355>

C-RCI 2,5/M8 - Ring cable lug

3240026

<https://www.phoenixcontact.com/ae/products/3240026>



Ring cable lug, blue, 1.5 ... 2.5 mm², M8

C-RC 2,5/M3,5 DIN - Ring cable lug

3240077

<https://www.phoenixcontact.com/ae/products/3240077>



Ring cable lug, non-insulated, 1.1 ... 2.5 mm², M3,5

2702355

<https://www.phoenixcontact.com/ae/products/2702355>

C-RC 2,5/M5 DIN - Ring cable lug

3240079

<https://www.phoenixcontact.com/ae/products/3240079>



Ring cable lug, non-insulated, 1.1 ... 2.5 mm², M5

C-RC 2,5/M6 DIN - Ring cable lug

3240080

<https://www.phoenixcontact.com/ae/products/3240080>



Ring cable lug, non-insulated, 1.1 ... 2.5 mm², M6

2702355

<https://www.phoenixcontact.com/ae/products/2702355>

C-RC 2,5/M8 DIN - Ring cable lug

3240081

<https://www.phoenixcontact.com/ae/products/3240081>

Ring cable lug, non-insulated, 1.1 ... 2.5 mm², M8



C-RC 2,5/M10 DIN - Ring cable lug

3240082

<https://www.phoenixcontact.com/ae/products/3240082>

Ring cable lug, non-insulated, 1.1 ... 2.5 mm², M10



Phoenix Contact 2023 © - all rights reserved
<https://www.phoenixcontact.com>

PHOENIX CONTACT Middle East FZ LLC
1201N-1206N, Dubai Science Park Towers – North
P.O. Box 345002, Dubai, United Arab Emirates
(+971) 4 437-0324
info-me@phoenixcontact.com