

PSR-TBUS - 1PCS - DIN rail bus connectors

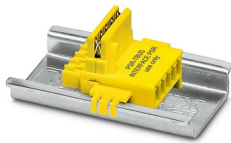


1326060

<https://www.phoenixcontact.com/mx/products/1326060>

Please be informed that the data shown in this PDF document is generated from our online catalog. Please find the complete data in the user documentation. Our general terms of use for downloads are valid.

DIN rail connector for safety switching devices, for supplying/controlling/monitoring (depending on the module)



Commercial data

Item number	1326060
Packing unit	1 pc
Minimum order quantity	1 pc
Sales key	02
Product key	DNA18Z
GTIN	4063151617714
Weight per piece (including packing)	8.2 g
Weight per piece (excluding packing)	4.4 g
Customs tariff number	85366990
Country of origin	DE

PSR-TBUS - 1PCS - DIN rail bus connectors



1326060

<https://www.phoenixcontact.com/mx/products/1326060>

Technical data

Product properties

Product type	DIN rail connector
--------------	--------------------

Dimensions

Width	22.5 mm
-------	---------

Material specifications

Housing material	PBT
------------------	-----

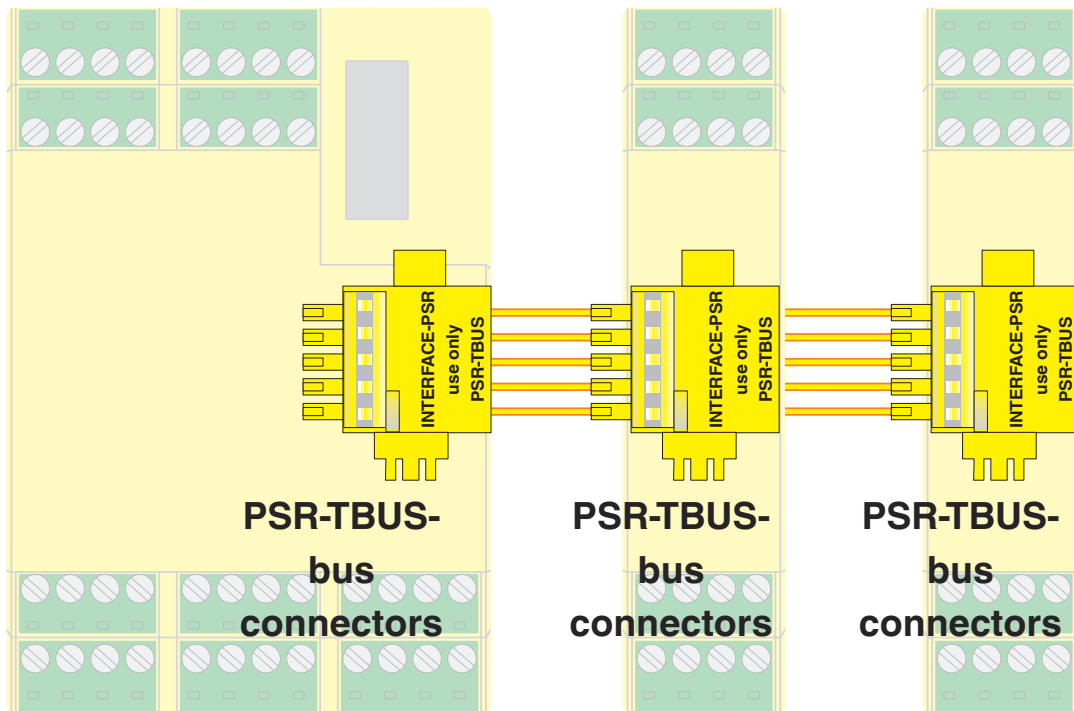
PSR-TBUS - 1PCS - DIN rail bus connectors

1326060

<https://www.phoenixcontact.com/mx/products/1326060>

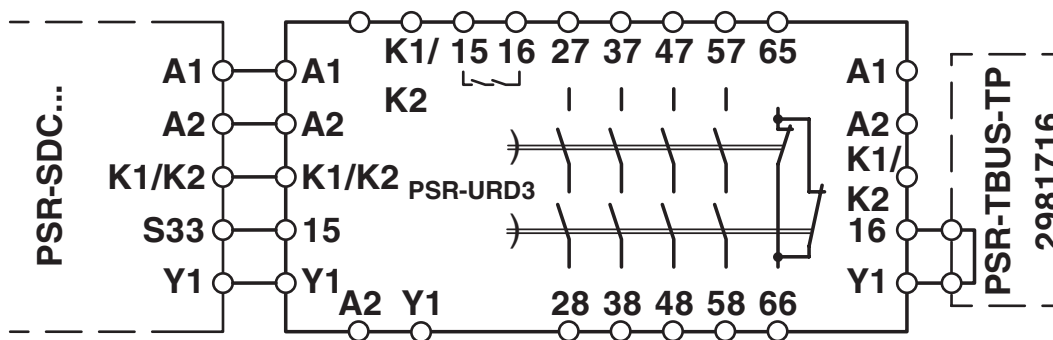
Drawings

Connection diagram



PSR-TBUS with TRISAFE (PSR-TBUS-TP blind plug may **not** be used)

Circuit diagram

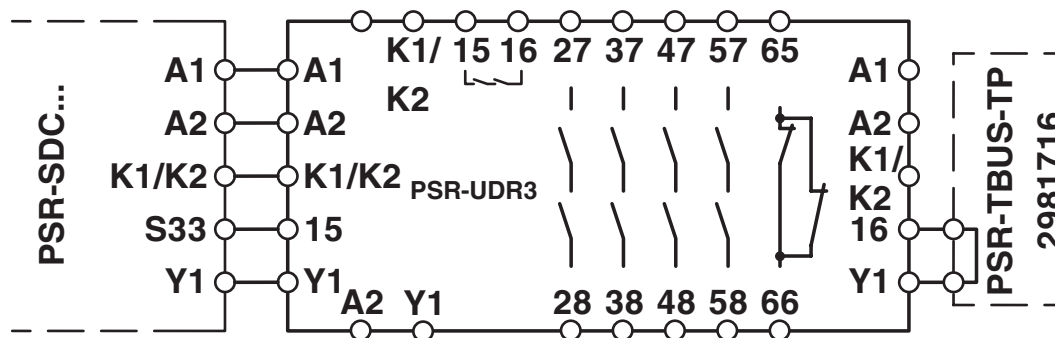


PSR-TBUS - 1PCS - DIN rail bus connectors

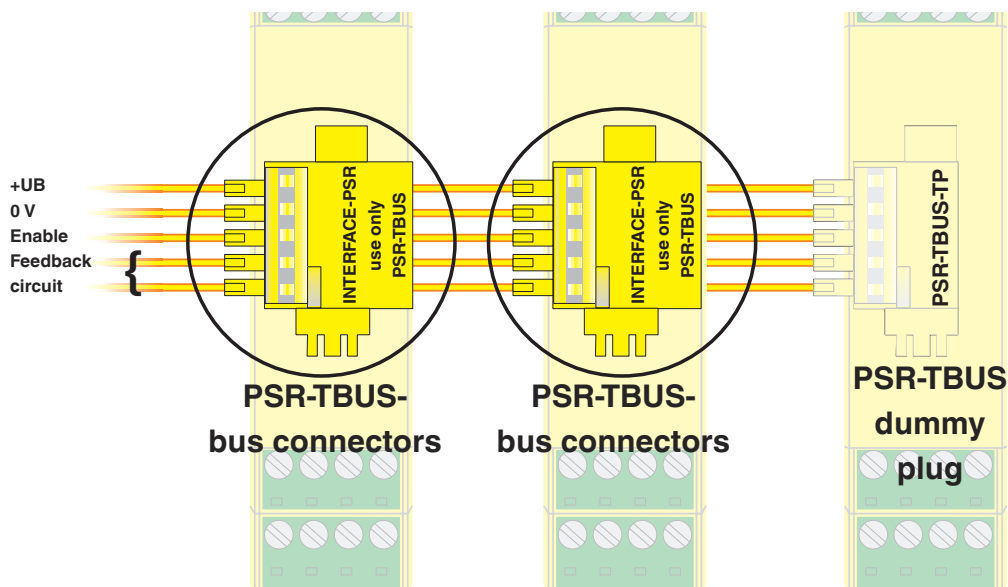
1326060

<https://www.phoenixcontact.com/mx/products/1326060>

Circuit diagram



Connection diagram



PSR-TBUS - 1PCS - DIN rail bus connectors



1326060

<https://www.phoenixcontact.com/mx/products/1326060>

Classifications

ECLASS

ECLASS-11.0	27371390
ECLASS-12.0	27371390
ECLASS-13.0	27371390

ETIM

ETIM 9.0	EC002498
----------	----------

UNSPSC

UNSPSC 21.0	26121600
-------------	----------

PSR-TBUS - 1PCS - DIN rail bus connectors



1326060

<https://www.phoenixcontact.com/mx/products/1326060>

Environmental product compliance

China RoHS	Environmentally friendly use period: unlimited = EFUP-e No hazardous substances above threshold values
------------	---

Phoenix Contact 2023 © - all rights reserved
<https://www.phoenixcontact.com>

PHOENIX CONTACT S.A. de C.V.
Lago Alberto No. 319 - Piso 9
Colonia Granada, Delegación Miguel Hidalgo, México, Ciudad de México, C.P. 11520
+52/55/1101-1380
ventas@phoenixcontact.com.mx