

PSR-ESS-ACC-CB1-SM-SC - Contact module



1221749

<https://www.phoenixcontact.com/mx/products/1221749>

Please be informed that the data shown in this PDF document is generated from our online catalog. Please find the complete data in the user documentation. Our general terms of use for downloads are valid.



Contact module for modular emergency stop switches with force-guided N/C contact for safety-related shutdown, N/O contact for assembly monitoring, in conjunction with appropriate evaluation unit suitable for use up to PL e (EN ISO 13849-1), SIL 3 (EN IEC 62061)

Product description

Phoenix Contact emergency stop switches are electromechanical switching devices with a safety function. They are used to safely shut down or stop machines and systems in order to prevent or minimize personal injury and property damage. The portfolio includes a modular system as well as a preconfigured solution. The modular emergency stop switch is comprised of the following components: – PSR-ESS-M0-H100 / ... 110 / ... 120 actuator – PSR-ESS-ACC-CB1-C... module holder – PSR-ESS-ACC-CB1-NC-SC or PSR-ESS-ACC-CB1-SM-SC safe contact module Further contact modules can be combined if required.

Your advantages

- Modular system allows an efficient solution for individual applications
- Direct opening action in accordance with IEC 60947-5-1
- In applications with appropriate evaluation device suitable for use up to PL e (EN ISO 13849-1), SIL 3 (EN IEC 62061)
- Protection against installation errors with self-monitoring via the contact module

Commercial data

Item number	1221749
Packing unit	1 pc
Minimum order quantity	1 pc
Sales key	02
Product key	DNA62Z
GTIN	4063151309961
Weight per piece (including packing)	26.3 g
Weight per piece (excluding packing)	13.9 g
Customs tariff number	85365080
Country of origin	DE

1221749

<https://www.phoenixcontact.com/mx/products/1221749>

Technical data

Product properties

Product type	Contact module
Product family	Modular emergency stop switches
Application	Safe shutdown + assembly monitoring

Insulation characteristics

Protection class	II
------------------	----

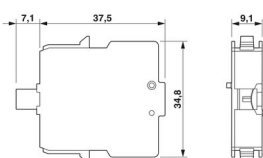
Insulation characteristics

Overvoltage category	III
Pollution degree	3

Electrical properties

Rated surge voltage	2.5 kV
---------------------	--------

Dimensions

Dimensional drawing	
Width	9.1 mm
Height	34.8 mm
Depth	44.6 mm

Material specifications

Flammability rating according to UL 94	V0
Housing material	PA

Environmental and real-life conditions

Ambient conditions

Degree of protection	IP20
Ambient temperature (operation)	-30 °C ... 70 °C (in conjunction with lighting module max. 65°C)
Ambient temperature (storage/transport)	-50 °C ... 85 °C
Maximum altitude	max. 2000 m (Above sea level)
Shock	15g / 11 ms, in accordance with IEC 60068-2-27
Vibration (operation)	10 Hz ... 500 Hz, 0.35 mm amplitude, 5g, in accordance with IEC 60068-2-6

Mounting

Mounting type	Plug-in mounting
Mounting position	any

PSR-ESS-ACC-CB1-SM-SC - Contact module



1221749

<https://www.phoenixcontact.com/mx/products/1221749>

Connection method	Screw connection
-------------------	------------------

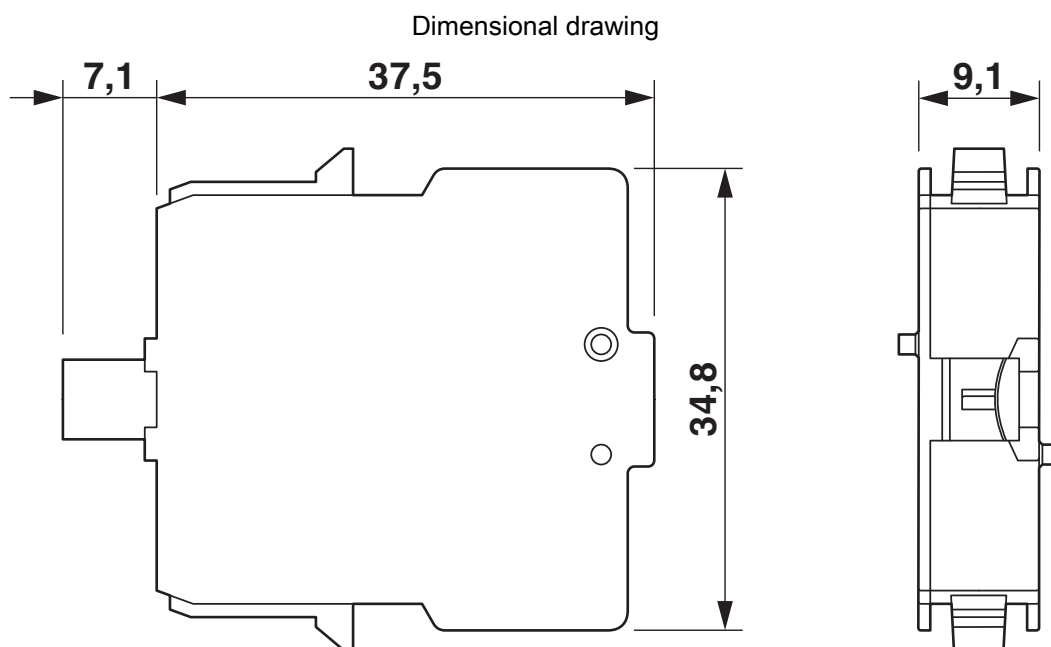
PSR-ESS-ACC-CB1-SM-SC - Contact module



1221749

<https://www.phoenixcontact.com/mx/products/1221749>

Drawings



Dimensions (in mm)

1221749

<https://www.phoenixcontact.com/mx/products/1221749>

Approvals

To download certificates, visit the product detail page: <https://www.phoenixcontact.com/mx/products/1221749>



UL Listed

Approval ID: FILE E 140324



cUL Listed

Approval ID: FILE E 140324

Functional Safety

Approval ID: B 029429 0031



CCC-SDoC

Approval ID: 2021960305000263



EAC

Approval ID: RU*DE*B*00073/21

cULus Listed

PSR-ESS-ACC-CB1-SM-SC - Contact module



1221749

<https://www.phoenixcontact.com/mx/products/1221749>

Classifications

ECLASS

ECLASS-11.0	27371302
ECLASS-12.0	27371302
ECLASS-13.0	27371302

ETIM

ETIM 9.0	EC000041
----------	----------

UNSPSC

UNSPSC 21.0	39122200
-------------	----------

PSR-ESS-ACC-CB1-SM-SC - Contact module



1221749

<https://www.phoenixcontact.com/mx/products/1221749>

Environmental product compliance

China RoHS	Environmentally friendly use period: unlimited = EFUP-e
	No hazardous substances above threshold values

PSR-ESS-ACC-CB1-SM-SC - Contact module



1221749

<https://www.phoenixcontact.com/mx/products/1221749>

Accessories

PSR-ESS-ACC-CB1-C3 - Module holder

1221747

<https://www.phoenixcontact.com/mx/products/1221747>



Module holder for modular emergency stop switches, connects the contact block and actuator with bayonet lock, suitable for 3 elements

PSR-ESS-ACC-CB1-C5 - Module holder

1221745

<https://www.phoenixcontact.com/mx/products/1221745>



Module holder for modular emergency stop switches, connects the contact block and actuator with bayonet lock, suitable for 5 elements

PSR-ESS-ACC-CB1-SM-SC - Contact module



1221749

<https://www.phoenixcontact.com/mx/products/1221749>

PSR-ESS-M0-H100 - Actuator

1221758

<https://www.phoenixcontact.com/mx/products/1221758>



Actuator for modular emergency stop switches, for combination with module holder and contact module as a functional unit, panel installation, bayonet lock

PSR-ESS-M0-H110 - Actuator

1221757

<https://www.phoenixcontact.com/mx/products/1221757>



Actuator with anti-lock collar for modular emergency stop switches, for combination with module holder and contact module as a functional unit, panel installation, bayonet lock

PSR-ESS-ACC-CB1-SM-SC - Contact module



1221749

<https://www.phoenixcontact.com/mx/products/1221749>

PSR-ESS-M0-H120 - Actuator

1221753

<https://www.phoenixcontact.com/mx/products/1221753>



Actuator with light-up anti-lock collar for modular emergency stop switches, for combination with module holder and contact module as a functional unit, panel installation, bayonet lock

PSR-ESS-ACC-CB1-NO-SC - Contact module

1221751

<https://www.phoenixcontact.com/mx/products/1221751>



Contact module for modular emergency stop switches with N/O contact for feedback function through actuation of the emergency stop switch

PSR-ESS-ACC-CB1-SM-SC - Contact module



1221749

<https://www.phoenixcontact.com/mx/products/1221749>

PSR-ESS-ACC-CB1-NC-SC - Contact module

1221752

<https://www.phoenixcontact.com/mx/products/1221752>



Contact module for modular emergency stop switches with force-guided N/C contact for safety-related shutdown, in conjunction with appropriate evaluation unit suitable for use up to PL e (EN ISO 13849-1), SIL 3 (EN IEC 62061)

PSR-ESS-ACC-CB1-I-SC - Contact module

1221748

<https://www.phoenixcontact.com/mx/products/1221748>



Lighting module for modular emergency stop switches, suitable for PSR-ESS-M0-H120 actuator

Phoenix Contact 2023 © - all rights reserved
<https://www.phoenixcontact.com>

PHOENIX CONTACT S.A. de C.V.
Lago Alberto No. 319 - Piso 9
Colonia Granada, Delegación Miguel Hidalgo, México, Ciudad de México, C.P. 11520
+52/55/1101-1380
ventas@phoenixcontact.com.mx