

# PSR-M-E2-DO16-SC - Extension module



1105134

<https://www.phoenixcontact.com/mx/products/1105134>

Please be informed that the data shown in this PDF document is generated from our online catalog. Please find the complete data in the user documentation. Our general terms of use for downloads are valid.



Extension module with 16 signal outputs, TBUS interface, plug-in screw terminal block, TBUS connector included

## Product description

The configurable and individually scalable PSRmodular safety system is a flexible safety solution for monitoring your machine or system. The extension module provides the system with additional signal outputs.

## Your advantages

- Cost-effective safety solution with a high level of adaptability to individual requirements
- Fast startup, thanks to easy hardware and software configuration
- Machine downtimes minimized with comprehensive, easy-to-understand diagnostics
- Narrow housing width of just 22.6 mm

## Commercial data

Item number	1105134
Packing unit	1 pc
Minimum order quantity	1 pc
Sales key	02
Product key	DNA364
GTIN	4055626973395
Weight per piece (including packing)	198 g
Weight per piece (excluding packing)	154 g
Customs tariff number	85371098
Country of origin	IT

1105134

<https://www.phoenixcontact.com/mx/products/1105134>

## Technical data

### Product properties

Product type	Coupling relay
Application	Extension module

### Insulation characteristics

Protection class	III (EN 50178)
------------------	----------------

### Times

Response time	see user manual
Restart time	min. 5 s (Boot time)
	max. 10 s (Boot time)

### Electrical properties

Maximum power dissipation for nominal condition	3.5 W (with max. permissible load)
Nominal operating mode	100% operating factor
Interfaces	DIN rail TBUS for connection to the master module, supplied as standard

### Air clearances and creepage distances between the power circuits

Rated insulation voltage	250 V AC
Rated surge voltage/insulation	Basic insulation 4 kV between all current paths and housing

### Supply

Designation	A1/A2
Rated control circuit supply voltage $U_S$	19.2 V DC ... 28.8 V DC
Rated control circuit supply voltage $U_S$	24 V DC -20 % / +20 % (provide external protection, typically 5 A)
Rated control supply current $I_S$	typ. 30 mA
Power consumption at $U_S$	typ. 0.72 W
Inrush current	2 A ( $\Delta t = 1$ ms at $U_S$ )
Filter time	typ. 5 ms (at A1 in the event of voltage dips at $U_S$ )
Protective circuit	Serial protection against polarity reversal
	Suppressor diode

### Supply

Designation	24V/A2
Rated control circuit supply voltage $U_S$	24 V DC -20 % / +20 % (provide external protection, typically 5 A)
Rated control supply current $I_S$	typ. 20 mA (Outputs active, without load)
Inrush current	10 A (at both terminal points 5 and 6, $\Delta t = 1$ ms at $U_S$ )
Filter time	typ. 1 ms (in the event of voltage dips)
Protective circuit	Suppressor diode

## Output data

# PSR-M-E2-DO16-SC - Extension module



1105134

<https://www.phoenixcontact.com/mx/products/1105134>

Signal: MO1 ... MO16

Output description	PNP, IEC 61131-2 Typ 0,1
	non-safety-related
	Reference ground A2
Number of outputs	16
Output voltage when switched off	max. 0.1 V
Voltage	24 V DC (via 24 V)
Maximum inrush current	1.1 A ( $\Delta t = 3 \text{ s}$ at $U_s$ )
Limiting continuous current	100 mA (per channel)
	1.6 A (Total current of all digital signal outputs)
Leakage current	max. 100 $\mu\text{A}$
Switching frequency	max. $1/4 \times t_{\text{Cycle}}$ [Hz]
Protective circuit	Suppressor diode
Short-circuit protection	Yes (self-limitation at 1.1 A)
Cable length	max. 100 m (per output)

## Connection data

Connection technology

pluggable	yes
-----------	-----

Conductor connection

Connection method	Screw connection
Conductor cross section rigid	0.2 mm <sup>2</sup> ... 2.5 mm <sup>2</sup>
Conductor cross section flexible	0.2 mm <sup>2</sup> ... 2.5 mm <sup>2</sup>
Conductor cross-section AWG	24 ... 12
Stripping length	7 mm
Screw thread	M3
Tightening torque	0.5 Nm ... 0.6 Nm

## Signaling

Status display	1 x LED (green), 2 x LED (orange)
	16 x LED (yellow)
Operating voltage display	1 x green LED
Error indication	2 x LED (red)

## Dimensions

Width	22.61 mm
Height	112.58 mm
Depth	113.6 mm

## Material specifications

Housing material	Polyamide PA non-reinforced
------------------	-----------------------------

## Environmental and real-life conditions

# PSR-M-E2-DO16-SC - Extension module



1105134

<https://www.phoenixcontact.com/mx/products/1105134>

## Ambient conditions

Degree of protection	IP20
Min. degree of protection of inst. location	IP54
Ambient temperature (operation)	-10 °C ... 55 °C (observe derating)
Ambient temperature (storage/transport)	-20 °C ... 85 °C
Maximum altitude	≤ 2000 m (Above sea level)
Max. permissible humidity (storage/transport)	95 % (non-condensing)
Max. permissible relative humidity (operation)	95 % (non-condensing)
Shock	10g for $\Delta t = 16$ ms (continuous shock, 1000 shocks in each space direction)
Vibration (operation)	10 Hz ... 150 Hz, 2g

## Standards and regulations

### Air clearances and creepage distances between the power circuits

Standards/regulations	EN 50178
-----------------------	----------

## Mounting

Mounting type	DIN rail mounting
Assembly instructions	Observe derating
Mounting position	vertical or horizontal
Connection method	Screw connection

# PSR-M-E2-DO16-SC - Extension module

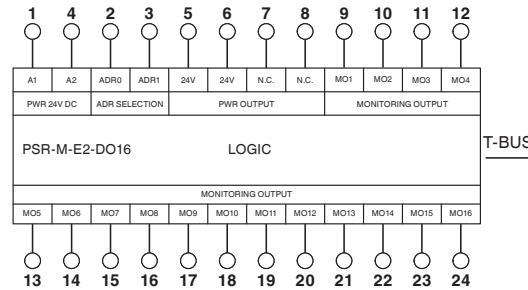


1105134

<https://www.phoenixcontact.com/mx/products/1105134>

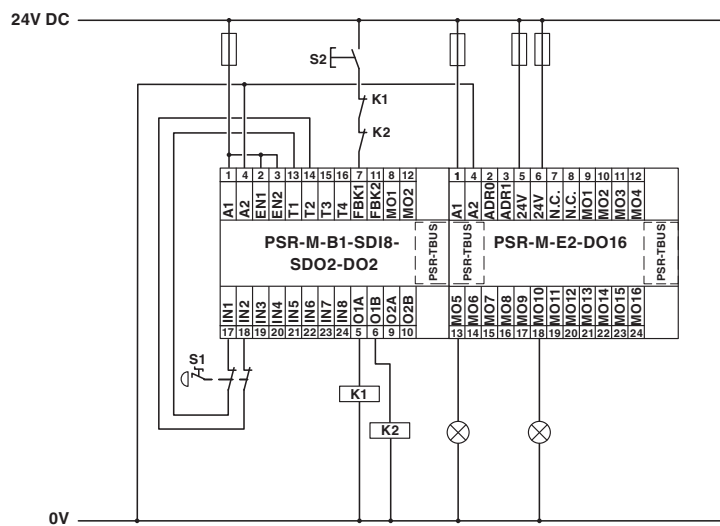
## Drawings

Block diagram



Block diagram

Application drawing



Example application

1105134

<https://www.phoenixcontact.com/mx/products/1105134>

## Approvals

To download certificates, visit the product detail page: <https://www.phoenixcontact.com/mx/products/1105134>



### UL Listed

Approval ID: FILE E 238705



### cUL Listed

Approval ID: FILE E 238705



### EAC

Approval ID: RU\*-DE\*B.00606/20

### Functional Safety

Approval ID: Z10 029429 0013

### cULus Listed

# PSR-M-E2-DO16-SC - Extension module



1105134

<https://www.phoenixcontact.com/mx/products/1105134>

## Classifications

### ECLASS

ECLASS-11.0	27371819
ECLASS-13.0	27371819
ECLASS-12.0	27371819

### ETIM

ETIM 8.0	EC001449
----------	----------

### UNSPSC

UNSPSC 21.0	39122200
-------------	----------

# PSR-M-E2-DO16-SC - Extension module



1105134

<https://www.phoenixcontact.com/mx/products/1105134>

## Environmental product compliance

China RoHS	Environmentally friendly use period: unlimited = EFUP-e
	No hazardous substances above threshold values



# PSR-M-E2-DO16-SC - Extension module



1105134

<https://www.phoenixcontact.com/mx/products/1105134>

## Accessories

### CP-MSTB - Coding profile

1734634

<https://www.phoenixcontact.com/mx/products/1734634>

Coding profile, is inserted into the slot on the plug or inverted header, red insulating material



### CR-MSTB - Coding section

1734401

<https://www.phoenixcontact.com/mx/products/1734401>

Coding section, inserted into the recess in the header or the inverted plug, red insulating material



Phoenix Contact 2023 © - all rights reserved

<https://www.phoenixcontact.com>

PHOENIX CONTACT S.A. de C.V.

Lago Alberto No. 319 - Piso 9

Colonia Granada, Delegación Miguel Hidalgo, México, Ciudad de México, C.P. 11520

+52/55/1101-1380

[ventas@phoenixcontact.com.mx](mailto:ventas@phoenixcontact.com.mx)