


21700605	DATA SHEET	
Valid from: 08.07.2021	ED-IE-AX-5-PN-20-FC	

Product description

- Field mountable Industrial Ethernet RJ45 connector with color coding acc. to PROFINET standard
- Connector acc. to IEC 60603-7-51
- Suitable for industrial applications, structured cabling for office building applications, data centers and home networks



General properties

Ambient temperature	-40 to +85 °C
Protection degree	IP 20
Outer diameter, cable	5.0 – 9.0 mm
Outer diameter, wire	1.0 – 1.6 mm
Termination cross section, stranded, 7 wires	AWG27/7 – AWG22/7
Termination cross section, solid	AWG24/1 – AWG22/1

Mechanical properties

Insertion force	≤ 30 N
Mating cycles	≥ 750
Cable extraction force (assembled connector)	≥ 50 N

Electrical properties

Contact resistance	≤ 20 mΩ
Insulation resistance	≥ 500 MΩ
Proof voltage, contact-contact	≥ 1000 V, DC
Proof voltage, contact-shield	≥ 1500 V, DC
Current carrying capacity at 50 °C	1 A
Suitable for Power over Ethernet 4PPoE acc. to IEEE 802.3bt	ja

Materials

Connector housing, base material	die-cast zinc
Connector housing, surface	Ni
Contacts, surface	Au


Transmission characteristics

Category (ISO)	5 (Profinet Installation Guideline) 6 _A (Product Standard RJ45-connector)
----------------	---

Standards

Product standard	RJ45 connector acc. to IEC 60603-7-51
Generic cable systems	Profinet Installation Guideline

Creator: MANA2/PDP Released: IVSE1/PDP	Document: DB21700605EN Version: 06	Page 1 of 2
---	---------------------------------------	-------------

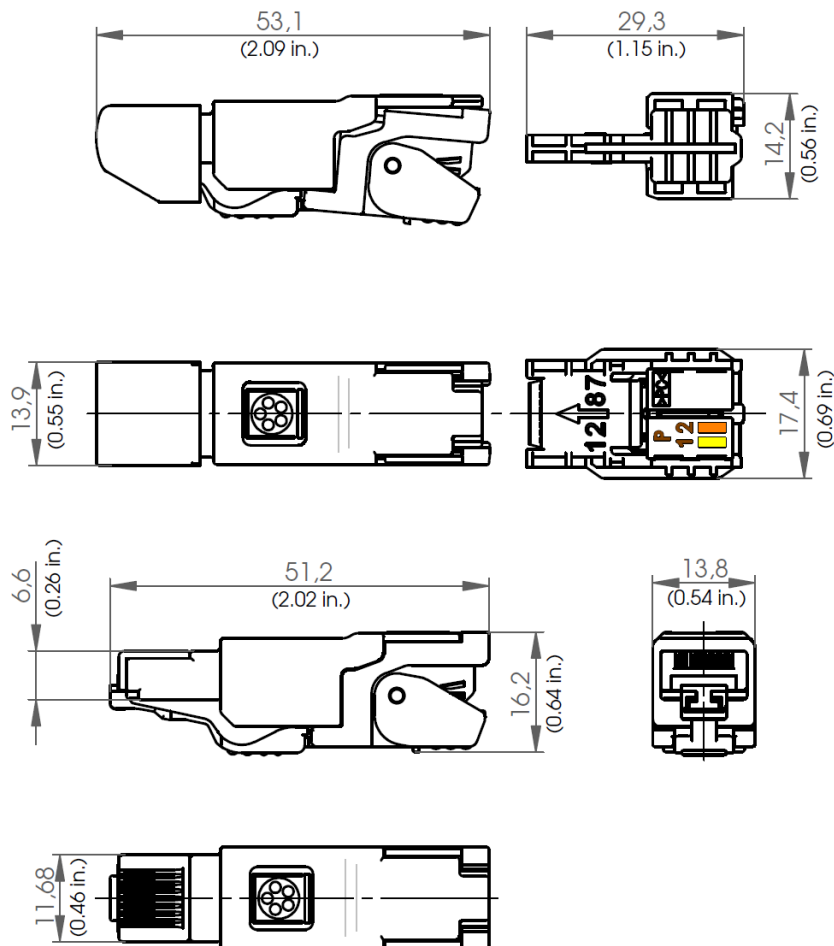
21700605	DATA SHEET	
Valid from: 08.07.2021	ED-IE-AX-5-PN-20-FC	

Approvals

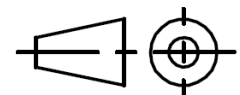
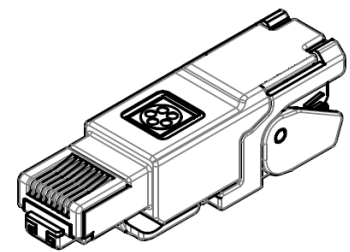
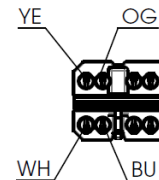
UL listed, E-File

E353543

Drawings



Anschlussbelegung / PIN assignment
Profinet / industrial



Application range

Automation, industrial machinery and plant engineering

Note

Photographs are not true to scale and do not represent detailed images of the respective products.

Creator: MANA2/PDP Released: IVSE1/PDP	Document: DB21700605EN Version: 06	Page 2 of 2
---	---------------------------------------	-------------