

PSR-SPP- 24DC/TS/SDOR4/4X1 - Extension module



2986106

<https://www.phoenixcontact.com/mx/products/2986106>

Please be informed that the data shown in this PDF document is generated from our online catalog. Please find the complete data in the user documentation. Our general terms of use for downloads are valid.



PSR-TRISAFE-M relay output extension module with 4 safe relay output contacts (choice of 4 single-channel or 2 two-channel relay contacts), 4 signal outputs; up to SIL 3, Cat. 4/PL e, SIL 3, EN 50156, pluggable Push-in terminal block

Commercial data

Item number	2986106
Packing unit	1 pc
Minimum order quantity	1 pc
Sales key	02
Product key	DNA332
Catalog page	Page 262 (C-6-2019)
GTIN	4046356536547
Weight per piece (including packing)	200 g
Weight per piece (excluding packing)	140 g
Customs tariff number	85371099
Country of origin	DE

Technical data

Product properties

Product type	Safety device
Application	PSR-TRISAFE-M extension module

Insulation characteristics: Air clearances and creepage distances between the power circuits

Overvoltage category	III
Pollution degree	2

Times

Response time	max. 50 ms
Recovery time	< 10 s

Electrical properties

Maximum power dissipation for nominal condition	3932 mW (up to 40°C ambient temperature, at m = 4, n = 4, I _{load} = 4 A, I _{signal} = 50 mA)
	1532 mW (up to 55°C ambient temperature, at m = 4, n = 4, I _{load} = 1 A, I _{signal} = 50 mA)
Nominal operating mode	100% operating factor
Interfaces	DIN rail TBUS for connection to the master module, supplied as standard

Air clearances and creepage distances between the power circuits

Rated insulation voltage	250 V AC
Rated surge voltage/insulation	4 kV / basic insulation between output contact current paths (13/14, 23/24, 33/34, 43/44); 6 kV / safe isolation, reinforced insulation between output contact current paths (13/14, 23/24, 33/34, 43/44) and the other circuits

Supply

Rated control circuit supply voltage U _S	18 V DC ... 30 V DC (Incl. all tolerances, incl. residual ripple)
Rated control circuit supply voltage U _S	24 V DC (Electrical supply via PSR-TBUS)
Rated control supply current I _S	Electrical supply via PSR-TBUS
	74 mA (At 24 V DC, relay outputs set)
	54 mA (At 24 V DC, relay outputs not set)
Protective circuit	Yes, within the scope of the operating voltage limits
Status display	1 x green LED, 1 x red LED

Output data

Maximum switching voltage	250 V AC/DC
	24 V DC
Minimum switching voltage	5 V AC/DC
Limiting continuous current	4 A (see derating curve)
Maximum inrush current	6 A
Inrush current, minimum	5 mA
Switching capacity (3600/h cycles)	3 A (230 V (AC 15))

PSR-SPP- 24DC/TS/SDOR4/4X1 - Extension module



2986106

<https://www.phoenixcontact.com/mx/products/2986106>

	5 A (24 V (DC13))
Output fuse	6 A gL/gG
Response time	max. 50 ms

Relay

Output description	Relay contacts, safety-related N/O contacts
Number of outputs	4 (Single-channel)
	2 (Two-channel, connected in pairs)
Contact switching type	4 relay output contacts
Contact material	AgSnO ₂ (From HW03) AgCuNi +0.2 ... 0.4 µm Au (up to HW02)
Switching voltage	min. 12 V AC/DC (from HW 03)
	min. 5 V AC/DC (Up to HW02)
	max. 250 V AC/DC
Switching current	min. 3 mA (from HW 03)
	min. 5 mA (Up to HW02)
Switching capacity	min. 60 mW
Limiting continuous current	4 A (see to derating)
Mechanical service life	10x 10 ⁶ cycles
Output fuse	6 A (gL/gG)
	4 A (gL/gG for low-demand applications)
Status display	4 x green LEDs

Signal

Output description	Digital
Number of outputs	4
Voltage	24 V DC (Supply via A1/A2)
Limiting continuous current	50 mA
Protective circuit	Yes, within the scope of the operating voltage limits
Short-circuit protection	Yes

Connection data

Connection technology

pluggable	yes
-----------	-----

Conductor connection

Connection method	Push-in connection
Conductor cross section rigid	0.2 mm ² ... 1.5 mm ²
Conductor cross section, flexible, with ferrule, with plastic sleeve	0.25 mm ² ... 1.5 mm ² (only together with CRIMPFOX 6)
Conductor cross section flexible, with ferrule without plastic sleeve	0.25 mm ² ... 1.5 mm ² (only together with CRIMPFOX 6)
Conductor cross-section AWG	24 ... 16
Stripping length	8 mm

Dimensions

Width	22.5 mm
-------	---------

2986106

<https://www.phoenixcontact.com/mx/products/2986106>

Height	112 mm
Depth	114.5 mm

Material specifications

Color	yellow
Housing material	Polyamide PA non-reinforced

Characteristics

Safety data

Stop category	0
---------------	---

Safety data: EN ISO 13849

Category	1 (1-channel parameterization)
	4 (2-channel parameterization)
Performance level (PL)	c (1-channel parameterization)
	e (2-channel parameterization)

Safety data: EN 50156

Safety Integrity Level (SIL)	max. 3 (Reference IEC 61508)
------------------------------	------------------------------

Safety data: IEC 61508 - High demand

Safety Integrity Level (SIL)	1 (1-channel parameterization)
	3 (2-channel parameterization)

Safety data: IEC 61508 - Low demand

Safety Integrity Level (SIL)	1 (1-channel parameterization)
	3 (2-channel parameterization)

Safety data: EN IEC 62061

Safety Integrity Level (SIL)	1 (1-channel parameterization)
	3 (2-channel parameterization)

Environmental and real-life conditions

Ambient conditions

Degree of protection	IP20
Min. degree of protection of inst. location	IP54
Ambient temperature (operation)	-20 °C ... 55 °C
Ambient temperature (storage/transport)	-20 °C ... 70 °C
Maximum altitude	max. 2000 m (See Appendix "Using PSR-TRISAFE modules at altitudes greater than 2000 m above sea level")
Max. permissible humidity (storage/transport)	75 % (On average, 85 % occasionally)
Max. permissible relative humidity (operation)	75 % (On average, 85 % occasionally)
Shock (operation)	10g ($\Delta t = 11$ ms, three shocks in each space direction)
	10g ($\Delta t = 16$ ms, continuous shock, 1000 shocks in each space direction)
Vibration (operation)	2g

2986106

<https://www.phoenixcontact.com/mx/products/2986106>

Air pressure (operation)	70 kPa ... 108 kPa (up to 3000 m above sea level)
Air pressure (storage/transport)	66 kPa ... 108 kPa (up to 3500 m above sea level)

Standards and regulations

Air clearances and creepage distances between the power circuits

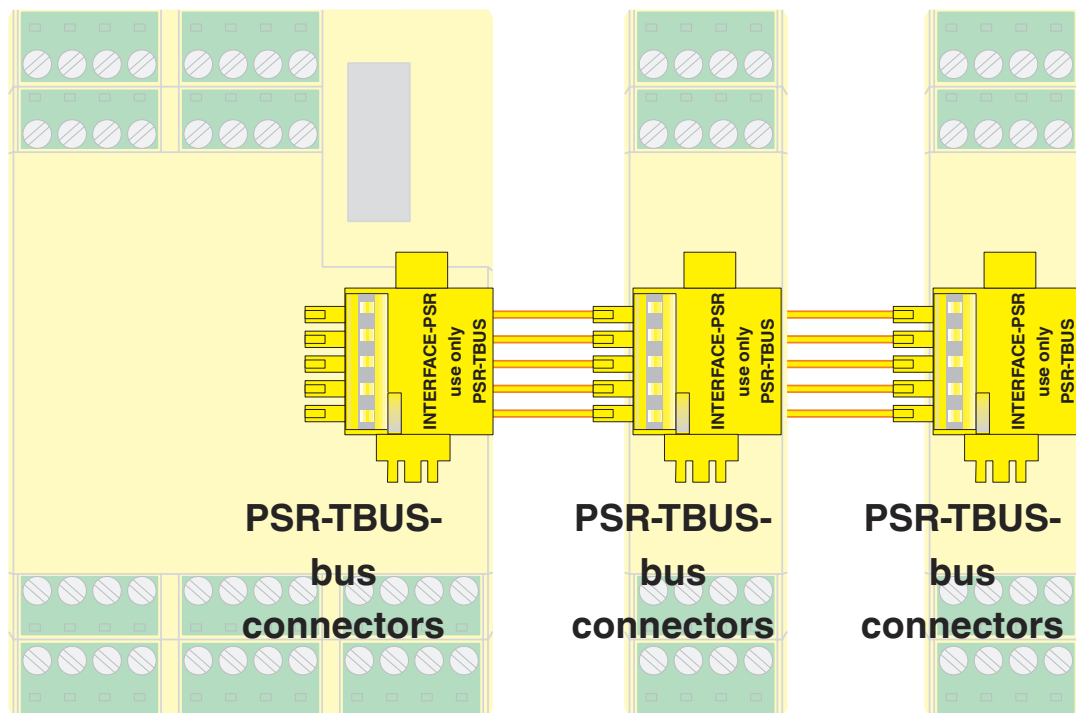
Standards/regulations	DIN EN 50178
-----------------------	--------------

Mounting

Mounting type	DIN rail mounting
Mounting position	On horizontal DIN rail
Connection method	Push-in connection

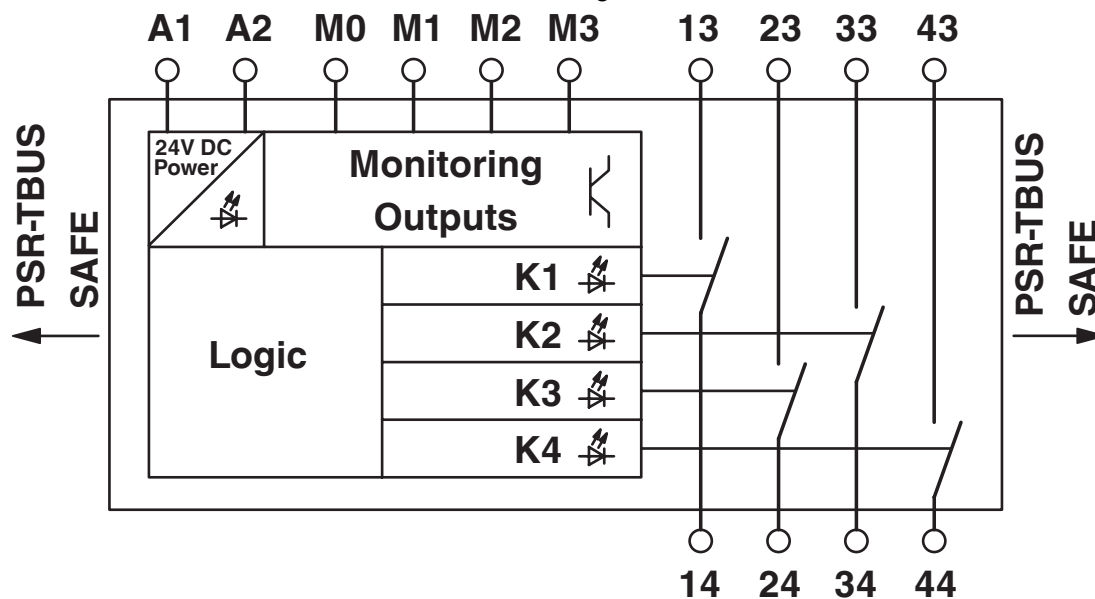
Drawings

Connection diagram



PSR-TBUS DIN rail connectors are used for cross-wiring between the modules.


Circuit diagram



2986106

<https://www.phoenixcontact.com/mx/products/2986106>

Approvals

 To download certificates, visit the product detail page: <https://www.phoenixcontact.com/mx/products/2986106>



UL Listed

Approval ID: FILE E 140324



cUL Listed

Approval ID: FILE E 140324

cULus Listed

2986106

<https://www.phoenixcontact.com/mx/products/2986106>

Classifications

ECLASS

ECLASS-11.0	27371819
ECLASS-13.0	27371819
ECLASS-12.0	27371819

ETIM

ETIM 8.0	EC001449
----------	----------

UNSPSC

UNSPSC 21.0	39122200
-------------	----------

PSR-SPP- 24DC/TS/SDOR4/4X1 - Extension module



2986106

<https://www.phoenixcontact.com/mx/products/2986106>

Environmental product compliance

REACH SVHC	Lead 7439-92-1
China RoHS	Environmentally Friendly Use Period = 50 years
	For information on hazardous substances, refer to the manufacturer's declaration available under "Downloads"

PSR-SPP- 24DC/TS/SDOR4/4X1 - Extension module



2986106

<https://www.phoenixcontact.com/mx/products/2986106>

Accessories

PSR-TRISAFE STARTER KIT - Starter kit

2986300

<https://www.phoenixcontact.com/mx/products/2986300>



STARTER kit for the PSR-TRISAFE safety module consisting of: PSR-TRISAFE demoboard (with inputs & outputs), SAFECONF CD, Quick Start Guide, USB cable (3m) , voltage supply with international connector adapters and package inserts.

IFS-CONFSTICK - Memory block

2986122

<https://www.phoenixcontact.com/mx/products/2986122>



Multi-functional memory block for the INTERFACE systemf for easy storage and backup of the configuration.

PSR-SPP- 24DC/TS/SDOR4/4X1 - Extension module



2986106

<https://www.phoenixcontact.com/mx/products/2986106>

CABLE-USB/MINI-USB-3,0M - USB cable

2986135

<https://www.phoenixcontact.com/mx/products/2986135>

USB connecting cable: USB plug type A to USB plug type Mini-B; length: 3 m



SAFECONF - Configuration package

2986119

<https://www.phoenixcontact.com/mx/products/2986119>

Configuration software for SafetyBridge Technology and PSR-TRISAFE modules
(available to download free of charge)



PSR-SPP- 24DC/TS/SDOR4/4X1 - Extension module



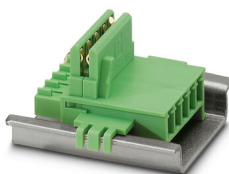
2986106

<https://www.phoenixcontact.com/mx/products/2986106>

ME 22,5 TBUS 1,5/ 5-ST-3,81 GN - DIN rail bus connectors

2707437

<https://www.phoenixcontact.com/mx/products/2707437>



DIN rail connector, color: green, nominal current: 8 A (parallel contacts), rated voltage (III/2): 125 V, number of positions: 5, pitch: 3.81 mm, mounting: DIN rail mounting, locking: without, mounting: without, type of packaging: packed in cardboard, Item with gold-plated contacts, bus connectors for connecting with electronics housings, 5 parallel contacts

PSR-TBUS - DIN rail bus connectors

2890425

<https://www.phoenixcontact.com/mx/products/2890425>



DIN rail connector for safety switching devices, for supplying/controlling/monitoring (depending on the module)

PSR-SPP- 24DC/TS/SDOR4/4X1 - Extension module



2986106

<https://www.phoenixcontact.com/mx/products/2986106>

PSR-FTB/20/86 - Filter terminal block

2904477

<https://www.phoenixcontact.com/mx/products/2904477>



Terminal block for filtering test pulses from safe semiconductor outputs with adjustable filter values (20 μF /86 μF), as well as for EMC filtering of 24 V signals up to an amperage of 2 A.

PSR-FTB/1.5/11.5 - Filter terminal block

2904476

<https://www.phoenixcontact.com/mx/products/2904476>



Terminal block for filtering test pulses from safe semiconductor outputs with adjustable filter values (1.5 μF /11.5 μF), as well as for EMC filtering of 24 V signals up to an amperage of 2 A.

PSR-SPP- 24DC/TS/SDOR4/4X1 - Extension module



2986106

<https://www.phoenixcontact.com/mx/products/2986106>

COPYSTATION - IFS - Copy and delete station

2901985

<https://www.phoenixcontact.com/mx/products/2901985>



Copy and delete station for IFS-CONFSTICK memory modules for copying data from a master stick to up to four slave sticks and for deleting data on one or more slave sticks, connection via USB/mini USB cable.

EM-CAN-GATEWAY-IFS - Data interface

2901504

<https://www.phoenixcontact.com/mx/products/2901504>



Gateway for the connection of up to 32 INTERFACE system devices to a higher-level controller via CANopen[®]. The INTERFACE system devices are connected to the Gateway via DIN rail connectors, the DIN rail connectors are provided.

PSR-SPP- 24DC/TS/SDOR4/4X1 - Extension module



2986106

<https://www.phoenixcontact.com/mx/products/2986106>

EM-MODBUS-GATEWAY-IFS - Data interface

2901528

<https://www.phoenixcontact.com/mx/products/2901528>



Gateway for the connection of up to 32 INTERFACE system devices via Modbus/TCP to a higher-level controller. The INTERFACE system devices are connected to the Gateway via DIN rail connectors, the DIN rail connectors are provided.

EM-ETH-GATEWAY-IFS - Data interface

2901988

<https://www.phoenixcontact.com/mx/products/2901988>



Gateway for the connection of up to 32 INTERFACE system devices to a higher-level controller via EtherNet/IP™. The INTERFACE system devices are connected to the Gateway via DIN rail connectors, the DIN rail connectors are provided.

PSR-SPP- 24DC/TS/SDOR4/4X1 - Extension module



2986106

<https://www.phoenixcontact.com/mx/products/2986106>

EM-PNET-GATEWAY-IFS - Data interface

2904472

<https://www.phoenixcontact.com/mx/products/2904472>



Gateway for the connection of up to 32 INTERFACE system devices via PROFINET to a higher-level controller. The INTERFACE system devices are connected to the Gateway via DIN rail connectors, the DIN rail connectors are provided.

EM-PB-GATEWAY-IFS - Data interface

2297620

<https://www.phoenixcontact.com/mx/products/2297620>



Gateway for the connection of up to 32 INTERFACE system devices to a higher-level controller via PROFIBUS DP. The INTERFACE system devices are connected to the Gateway via DIN rail connectors, the DIN rail connectors are provided.

PSR-SPP- 24DC/TS/SDOR4/4X1 - Extension module



2986106

<https://www.phoenixcontact.com/mx/products/2986106>

PSR-TBUS - 1PCS - DIN rail bus connectors

1326060

<https://www.phoenixcontact.com/mx/products/1326060>

DIN rail connector for safety switching devices, for supplying/controlling/monitoring (depending on the module)



Phoenix Contact 2023 © - all rights reserved

<https://www.phoenixcontact.com>

PHOENIX CONTACT S.A. de C.V.

Lago Alberto No. 319 - Piso 9

Colonia Granada, Delegación Miguel Hidalgo, México, Ciudad de México, C.P. 11520

+52/55/1101-1380

ventas@phoenixcontact.com.mx