

PSR-SPP- 24DC/FSP/1X1/1X2 - Coupling relay



2981981

<https://www.phoenixcontact.com/mx/products/2981981>

Please be informed that the data shown in this PDF document is generated from our online catalog. Please find the complete data in the user documentation. Our general terms of use for downloads are valid.



Safe coupling relay for SIL 3 high- and low-demand applications, couples digital output signals to the periphery, one enabling current path, one signal contact, module for safe state off applications, test pulse filter, fuse, plug-in Push-in connection, width: 17.5 mm

Your advantages

- Narrow 17.5 mm housing
- Up to SIL 3 in accordance with IEC 61508
- With built-in, replaceable fuse in the enabling current path
- Easy proof test according to IEC 61508 thanks to integrated signal contact
- Long service life thanks to filtering of controller test pulses
- Force-guided contacts in accordance with EN 50205
- 1 enabling current path
- Couples digital output signals from failsafe controllers to I/O devices (valves, etc.) for electrical isolation and power adaptation

Commercial data

Item number	2981981
Packing unit	1 pc
Minimum order quantity	1 pc
Sales key	02
Product key	DNA161
Catalog page	Page 254 (C-6-2019)
GTIN	4046356448345
Weight per piece (including packing)	159.6 g
Weight per piece (excluding packing)	99.99 g
Customs tariff number	85364900
Country of origin	DE

PSR-SPP- 24DC/FSP/1X1/1X2 - Coupling relay



2981981

<https://www.phoenixcontact.com/mx/products/2981981>

Technical data

Product properties

Product type	Coupling relay
Product family	PSRclassic
Application	Safe switch off
	High demand
	Low demand
Mechanical service life	10x 10 ⁶ cycles
Relay type	Electromechanical relay with force-guided contacts in accordance with IEC/EN 61810-3

Electrical properties

Maximum power dissipation for nominal condition	2.4 W
Nominal operating mode	100% operating factor

Air clearances and creepage distances between the power circuits

Rated insulation voltage	250 V AC
Rated surge voltage/insulation	Safe isolation, reinforced insulation 6 kV between the control circuits (A1/A2), (21/22), (13/14)

Input data

General

Rated control circuit supply voltage U_S	24 V DC -15 % / +10 %
Power consumption at U_S	typ. 1.32 W
Rated control supply current I_S	typ. 55 mA
Input voltage range	20.4 V DC ... 26.4 V DC
Inrush current	max. 100 mA
Filter time	max. 5 ms (at A1 in the event of voltage dips at U_S)
	max. 2 ms (Test pulse width; high test pulse at A1/A2)
	≥ 100 ms (Test pulse width; high test pulse at A1/A2)
	Test pulse rate = 80 x Test pulse width
	max. 5 ms (Test pulse width; low test pulse at A1/A2)
	≥ 50 ms (Test pulse rate; low test pulse at A1/A2)
Test pulse rate = 15 x Test pulse width	
Typ. starting time with U_S	50 ms
Typical release time	50 ms
Recovery time	1 s
Maximum switching frequency	0.5 Hz
Protective circuit	Surge protection; Suppressor diode, 33 V (A1 - A2)
Operating voltage display	1 x yellow LED

Output data

Contact switching type	1 enabling current path
------------------------	-------------------------

PSR-SPP- 24DC/FSP/1X1/1X2 - Coupling relay



2981981

<https://www.phoenixcontact.com/mx/products/2981981>

	1 confirmation current path
Contact material	AgCuNi, + 0.2 µm Au
Maximum switching voltage	250 V AC/DC (N/O contact / N/C contact, observe the load curve)
Minimum switching voltage	15 V AC/DC (N/O contact / N/C contact)
Limiting continuous current	5 A (N/O contact, pay attention to the derating)
	100 mA (N/C contact)
Maximum inrush current	5 A (N/O contact)
	100 mA (N/C contact)
Inrush current, minimum	5 mA (N/O contact / N/C contact)
Sq. Total current	25 A ² (observe derating)
Interrupting rating (ohmic load) max.	120 W (24 V DC, τ = 0 ms, N/C contact: 2.4 W)
	192 W (48 V DC, τ = 0 ms, N/C contact: 4.8 W)
	162 W (60 V DC, τ = 0 ms, N/C contact: 6 W)
	66 W (110 V DC, τ = 0 ms, N/C contact: 11 W)
	60 W (220 V DC, τ = 0 ms, N/C contact: 22 W)
	1250 VA (250 V AC, τ = 0 ms, N/C contact: 25 VA)
Maximum interrupting rating (inductive load)	72 W (24 V DC, τ = 40 ms, N/C contact: 2.4 W)
	43 W (48 V DC, τ = 40 ms, N/C contact: 4.8 W)
	41 W (60 V DC, τ = 40 ms, N/C contact: 6 W)
	35 W (110 V DC, τ = 40 ms, N/C contact: 11 W)
	48 W (220 V DC, τ = 40 ms, N/C contact: 22 W)
Switching capacity	min. 75 mW
Switching capacity (3600/h cycles)	5 A (24 V (DC13))
	5 A (230 V (AC15))
Output fuse	5 A T fuse (N/O contact)
	150 mA Fast-blow (N/C contact)

Connection data

Connection technology

pluggable	yes
-----------	-----

Conductor connection

Connection method	Push-in connection
Conductor cross section rigid	0.2 mm ² ... 1.5 mm ²
Conductor cross section flexible	0.2 mm ² ... 1.5 mm ²
Conductor cross section, flexible, with ferrule, with plastic sleeve	0.25 mm ² ... 1.5 mm ² (only together with CRIMPFOX 6)
Conductor cross section flexible, with ferrule without plastic sleeve	0.25 mm ² ... 1.5 mm ² (only together with CRIMPFOX 6)
Conductor cross-section AWG	24 ... 16
Stripping length	8 mm

Dimensions

Width	17.5 mm
Height	112 mm

PSR-SPP- 24DC/FSP/1X1/1X2 - Coupling relay



2981981

<https://www.phoenixcontact.com/mx/products/2981981>

Depth	114.5 mm
-------	----------

Material specifications

Housing material	Polyamide
------------------	-----------

Characteristics

Safety data

Stop category	0
---------------	---

Safety data: EN ISO 13849

Category	4 (Diagnostic coverage (DC) of the control unit at A1/A2 must be $\geq 99\%$)
Performance level (PL)	e (Diagnostic coverage (DC) of the control unit at A1/A2 must be $\geq 99\%$)

Safety data: EN 50156

Safety Integrity Level (SIL)	3
------------------------------	---

Safety data: IEC 61508 - High demand

Safety Integrity Level (SIL)	3 (max. 10% of the entire SIL; diagnostic coverage (DC) of the control unit at A1/A2 must be $\geq 90\%$)
------------------------------	--

Safety data: IEC 61508 - Low demand

Safety Integrity Level (SIL)	3 (max. 10% of the entire SIL; diagnostic coverage (DC) of the control unit at A1/A2 must be $\geq 90\%$)
------------------------------	--

Safety data: EN IEC 62061

Safety Integrity Level (SIL)	3 (max. 10% of the entire SIL; diagnostic coverage (DC) of the control unit at A1/A2 must be $\geq 90\%$)
------------------------------	--

Environmental and real-life conditions

Ambient conditions

Degree of protection	IP20
Min. degree of protection of inst. location	IP54
Ambient temperature (operation)	-20 °C ... 55 °C (observe derating)
Ambient temperature (storage/transport)	-40 °C ... 70 °C
Maximum altitude	≤ 2000 m (Above sea level)
Max. permissible humidity (storage/transport)	75 % (on average, 85% infrequently, non-condensing)
Max. permissible relative humidity (operation)	75 % (on average, 85% infrequently, non-condensing)
Shock	15g
Vibration (operation)	10 Hz ... 150 Hz, 2g

Approvals

CE

Certificate	CE-compliant
-------------	--------------

Standards and regulations

PSR-SPP- 24DC/FSP/1X1/1X2 - Coupling relay



2981981

<https://www.phoenixcontact.com/mx/products/2981981>

Air clearances and creepage distances between the power circuits

Standards/regulations	IEC 60664-1
-----------------------	-------------

Mounting

Mounting type	DIN rail mounting
Mounting position	any
Connection method	Push-in connection

PSR-SPP- 24DC/FSP/1X1/1X2 - Coupling relay

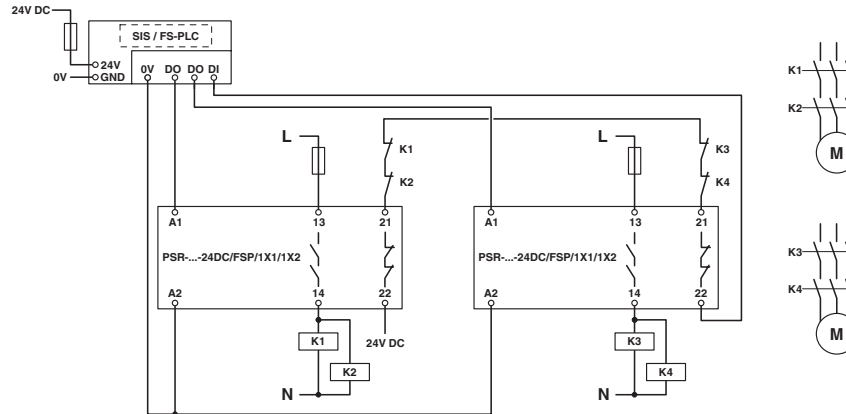


2981981

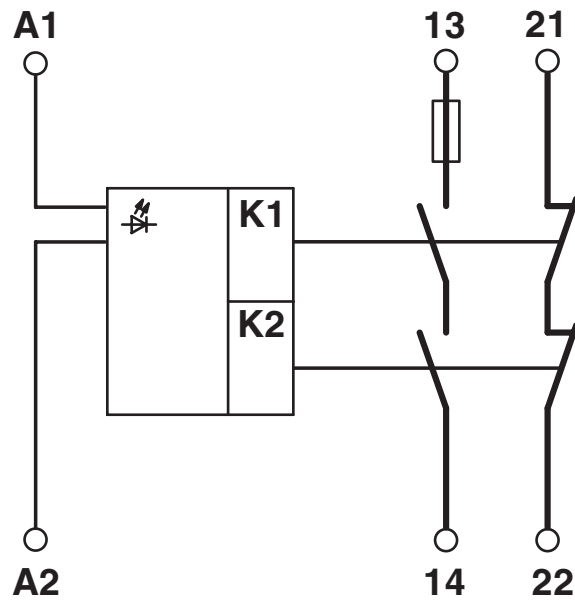
<https://www.phoenixcontact.com/mx/products/2981981>

Drawings

Circuit diagram



Circuit diagram

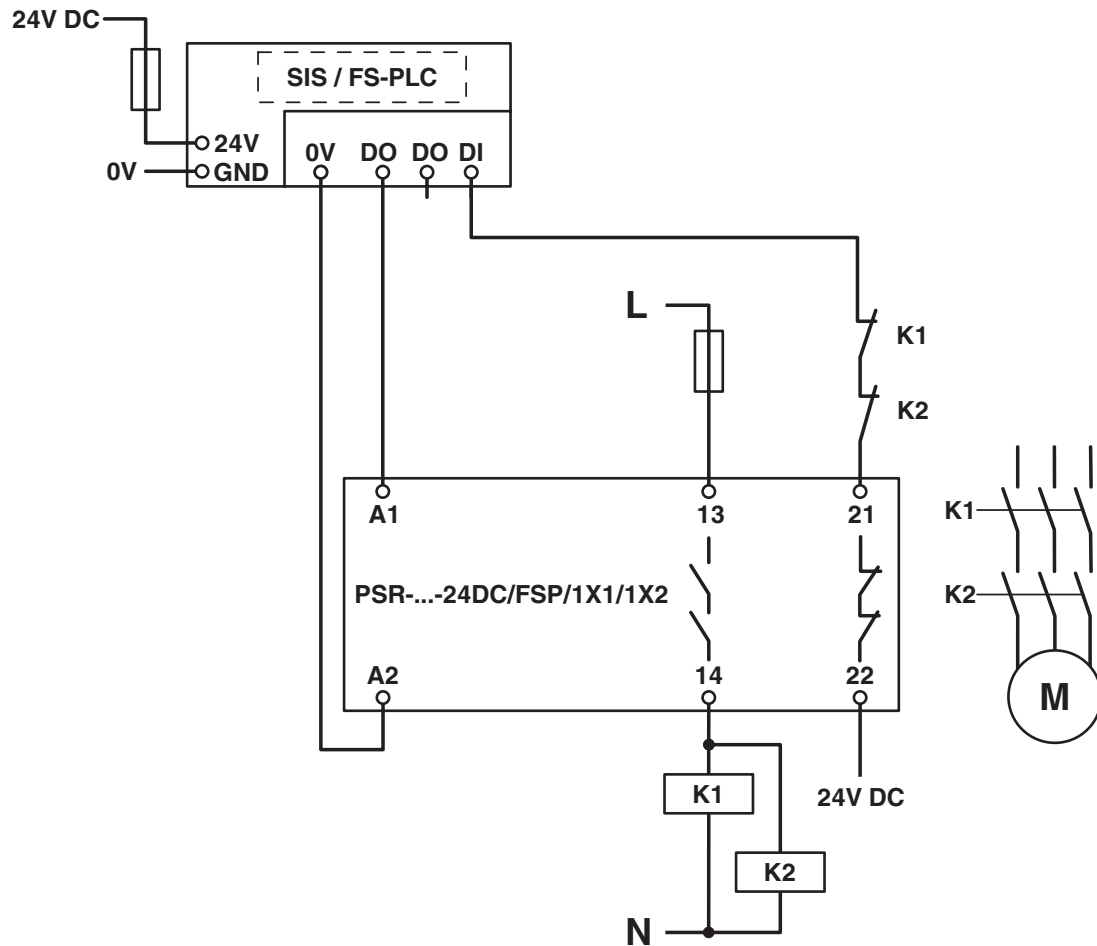


PSR-SPP- 24DC/FSP/1X1/1X2 - Coupling relay

2981981

<https://www.phoenixcontact.com/mx/products/2981981>

Circuit diagram

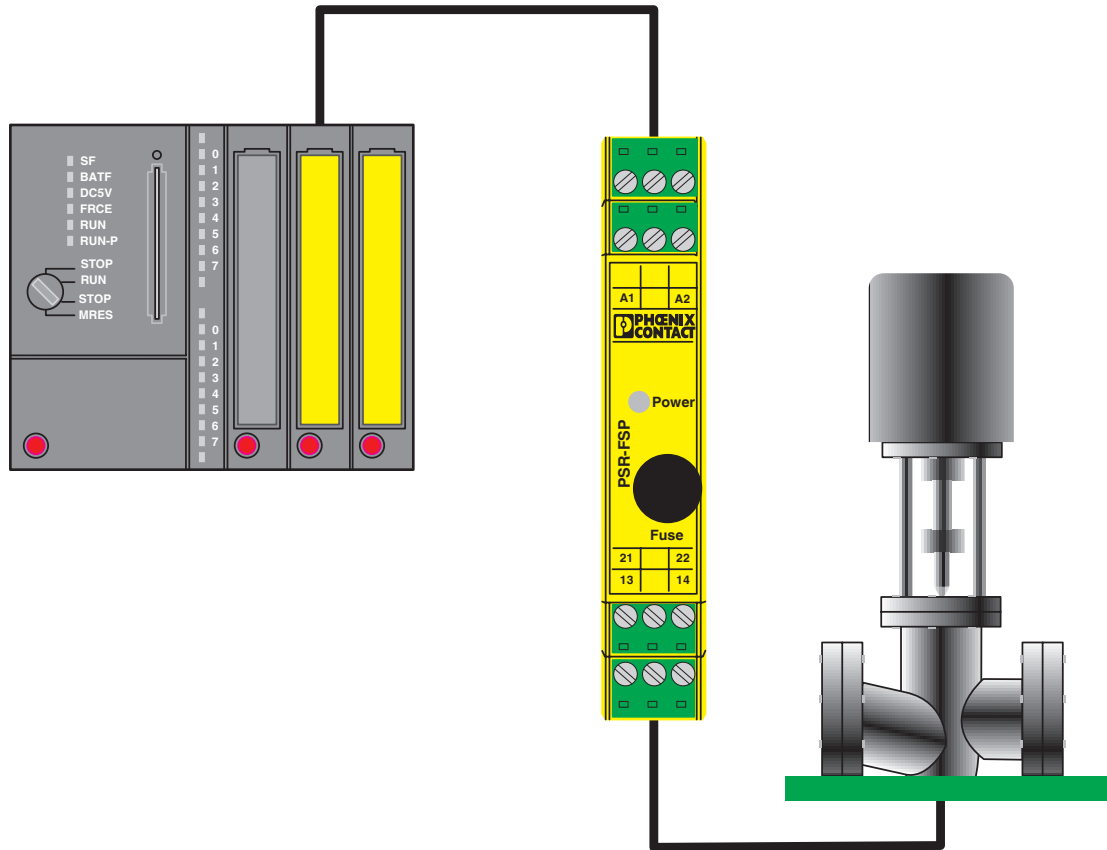


PSR-SPP- 24DC/FSP/1X1/1X2 - Coupling relay

2981981

<https://www.phoenixcontact.com/mx/products/2981981>

Application drawing



Example of electrical isolation of a safety PLC output from the field.

PSR-SPP- 24DC/FSP/1X1/1X2 - Coupling relay



2981981

<https://www.phoenixcontact.com/mx/products/2981981>

Approvals

To download certificates, visit the product detail page: <https://www.phoenixcontact.com/mx/products/2981981>



EAC

Approval ID: TR_TS_D_00573_c



DNV GL

Approval ID: TAA00002UC



UL Listed

Approval ID: FILE E 140324



cUL Listed

Approval ID: FILE E 140324



Functional Safety

Approval ID: 968/EZ 365.10/22

cULus Listed

PSR-SPP- 24DC/FSP/1X1/1X2 - Coupling relay



2981981

<https://www.phoenixcontact.com/mx/products/2981981>

Classifications

ECLASS

ECLASS-11.0	27371819
ECLASS-12.0	27371819
ECLASS-13.0	27371819

ETIM

ETIM 8.0	EC001449
----------	----------

UNSPSC

UNSPSC 21.0	39122200
-------------	----------

PSR-SPP- 24DC/FSP/1X1/1X2 - Coupling relay



2981981

<https://www.phoenixcontact.com/mx/products/2981981>

Environmental product compliance

REACH SVHC	Lead 7439-92-1
China RoHS	Environmentally Friendly Use Period = 50 years
	For information on hazardous substances, refer to the manufacturer's declaration available under "Downloads"

Phoenix Contact 2023 © - all rights reserved

<https://www.phoenixcontact.com>

PHOENIX CONTACT S.A. de C.V.

Lago Alberto No. 319 - Piso 9

Colonia Granada, Delegación Miguel Hidalgo, México, Ciudad de México, C.P. 11520

+52/55/1101-1380

ventas@phoenixcontact.com.mx