

PSR-SCP- 24DC/SIM4 - Safety relays



2981936

<https://www.phoenixcontact.com/mx/products/2981936>

Please be informed that the data shown in this PDF document is generated from our online catalog. Please find the complete data in the user documentation. Our general terms of use for downloads are valid.



Interface module for the connection of several safety sensors or switches with NC/NO contacts to the safety relay PSR-SDC4, with screw connection

Your advantages

- 4 two-channel N/O or N/C contact inputs
- Up to Cat. 3/PL d in accordance with EN ISO 13849-1, SIL 2 in accordance with IEC 61508 (in conjunction with the PSR-SDC4 master)
- 4 PLC diagnostic outputs for evaluating the switching state of the safety sensors
- 4 LEDs as status indicators for the relevant sensor/switch
- PSR-TBUS connection

Commercial data

Item number	2981936
Packing unit	1 pc
Minimum order quantity	1 pc
Sales key	02
Product key	DNA221
Catalog page	Page 233 (C-6-2019)
GTIN	4046356326001
Weight per piece (including packing)	176 g
Weight per piece (excluding packing)	98 g
Customs tariff number	85364190
Country of origin	DE

Technical data

Product properties

Product type	Interface module
Product family	PSRclassic

Electrical properties

Max. permissible current	100 mA (per signal output)
Max. permissible total current	100 mA (alarm outputs)
Nominal operating mode	100% operating factor

Air clearances and creepage distances between the power circuits

Rated insulation voltage	50 V DC
Rated surge voltage	0.8 kV

Input data

Nominal input voltage U_N	24 V DC (from PSR)
Input voltage range in reference to U_N	0.85 ... 1.1

Connection data

Connection technology

pluggable	yes
-----------	-----

Conductor connection

Connection method	Screw connection
Conductor cross section rigid	0.2 mm ² ... 2.5 mm ²
Conductor cross section flexible	0.2 mm ² ... 2.5 mm ²
Conductor cross-section AWG	24 ... 12
Stripping length	7 mm
Screw thread	M3

Signaling

Status display	Green LED
Status display present	Yes

Dimensions

Width	22.5 mm
Height	99 mm
Depth	106 mm

Material specifications

Housing material	Polyamide
------------------	-----------

Environmental and real-life conditions

PSR-SCP- 24DC/SIM4 - Safety relays



2981936

<https://www.phoenixcontact.com/mx/products/2981936>

Ambient conditions

Degree of protection	IP20
Ambient temperature (operation)	-20 °C ... 55 °C
Ambient temperature (storage/transport)	-40 °C ... 70 °C
Maximum altitude	max. 2000 m (Above sea level)

Standards and regulations

Air clearances and creepage distances between the power circuits

Standards/regulations	DIN EN 50178
-----------------------	--------------

Mounting

Assembly instructions	in rows with zero spacing
Mounting position	any
Connection method	Screw connection

PSR-SCP- 24DC/SIM4 - Safety relays

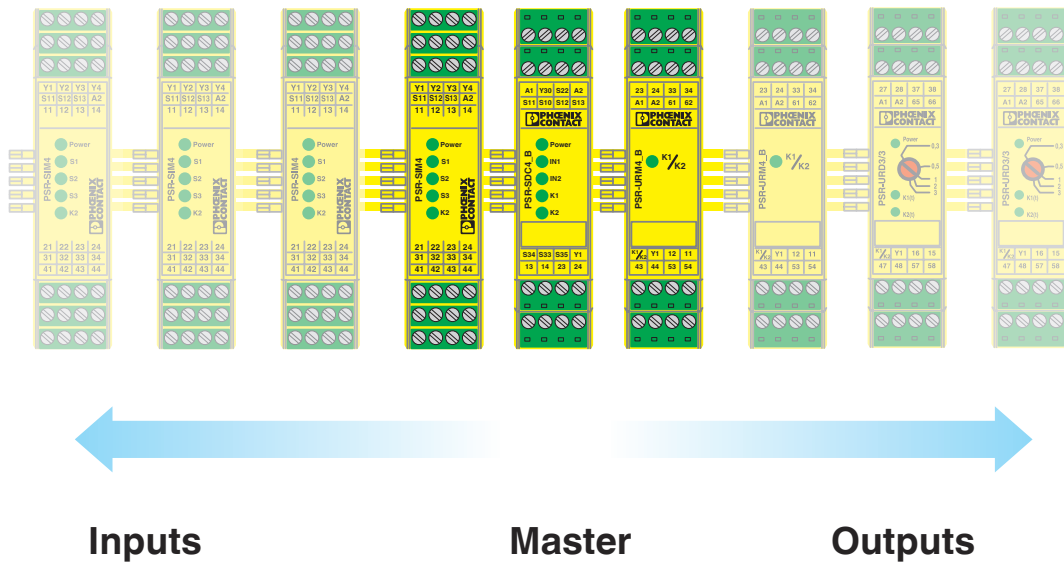


2981936

<https://www.phoenixcontact.com/mx/products/2981936>

Drawings

Application drawing



Additional inputs are aligned on the left of the PSR-SDC4, outputs are to its right.

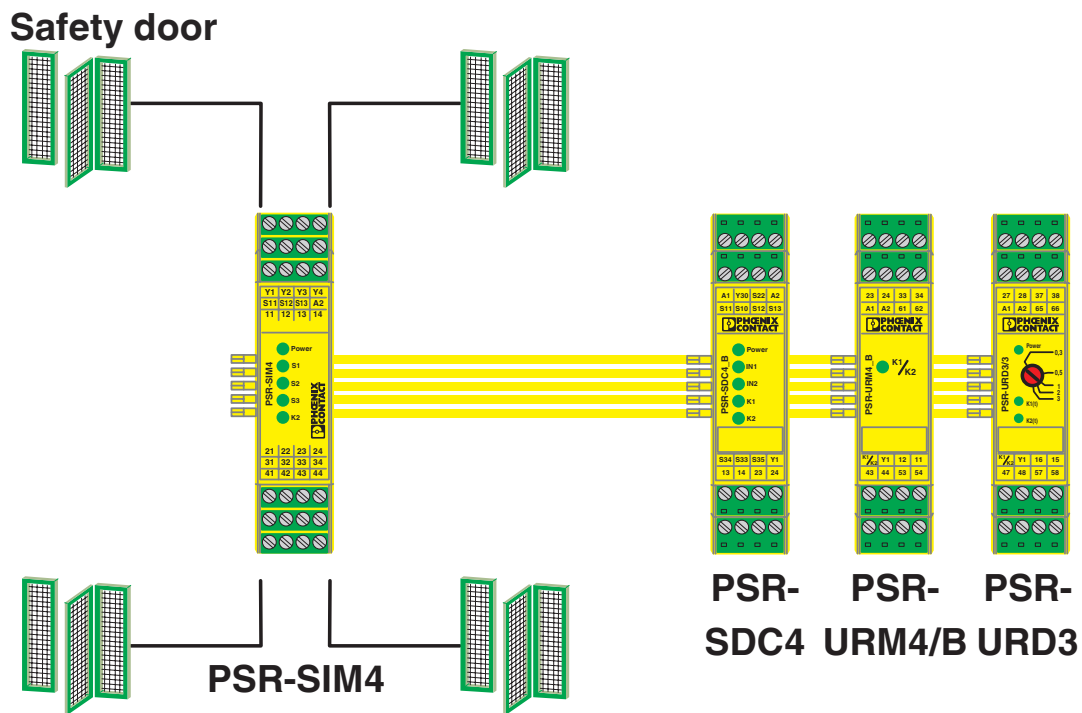
PSR-SCP- 24DC/SIM4 - Safety relays



2981936

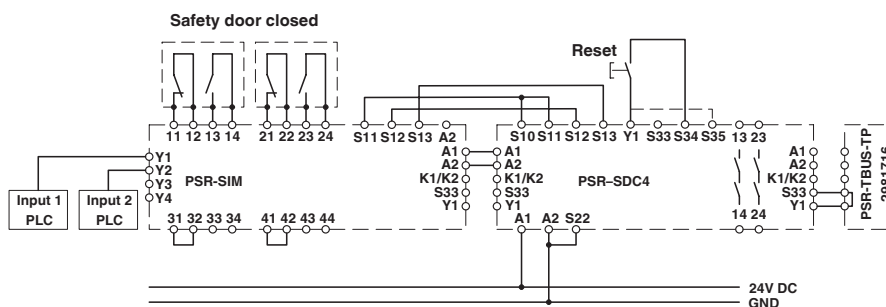
<https://www.phoenixcontact.com/mx/products/2981936>

Application drawing



Up to 4 safety door switches can be connected to one PSR-SIM4.

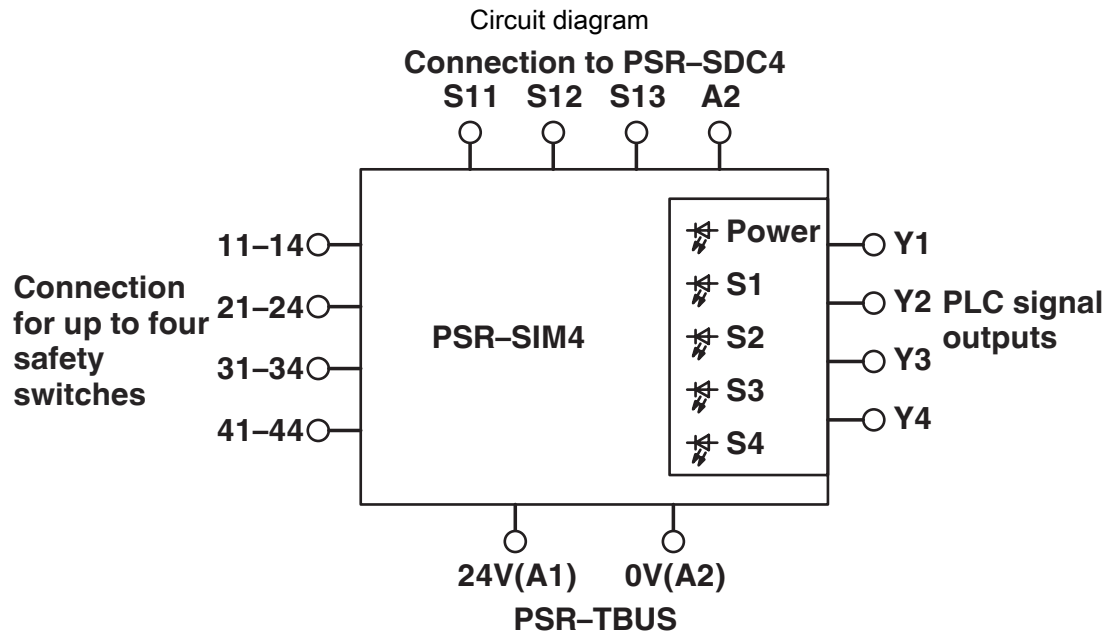
Circuit diagram



PSR-SCP- 24DC/SIM4 - Safety relays

2981936

<https://www.phoenixcontact.com/mx/products/2981936>



PSR-SCP- 24DC/SIM4 - Safety relays



2981936

<https://www.phoenixcontact.com/mx/products/2981936>

Approvals

To download certificates, visit the product detail page: <https://www.phoenixcontact.com/mx/products/2981936>



EAC

Approval ID: TR_TS_D_00573_c



UL Listed

Approval ID: FILE E 140324



cUL Listed

Approval ID: FILE E 140324

cULus Listed

PSR-SCP- 24DC/SIM4 - Safety relays



2981936

<https://www.phoenixcontact.com/mx/products/2981936>

Classifications

ECLASS

ECLASS-11.0	27371819
ECLASS-12.0	27371819
ECLASS-13.0	27371819

ETIM

ETIM 8.0	EC001449
----------	----------

UNSPSC

UNSPSC 21.0	39122200
-------------	----------

PSR-SCP- 24DC/SIM4 - Safety relays



2981936

<https://www.phoenixcontact.com/mx/products/2981936>

Environmental product compliance

REACH SVHC	Lead 7439-92-1
China RoHS	Environmentally Friendly Use Period = 50 years
	For information on hazardous substances, refer to the manufacturer's declaration available under "Downloads"

PSR-SCP- 24DC/SIM4 - Safety relays



2981936

<https://www.phoenixcontact.com/mx/products/2981936>

Accessories

PSR-TBUS - DIN rail bus connectors

2890425

<https://www.phoenixcontact.com/mx/products/2890425>

DIN rail connector for safety switching devices, for supplying/controlling/monitoring (depending on the module)



PSR-TBUS-TP - DIN rail bus connectors

2981716

<https://www.phoenixcontact.com/mx/products/2981716>

Blind plug for the PSR-TBUS DIN rail connector used with the modular safety relay system (PSR-SDC4)



PSR-SCP- 24DC/SIM4 - Safety relays

2981936

<https://www.phoenixcontact.com/mx/products/2981936>



PSR-TBUS - 1PCS - DIN rail bus connectors

1326060

<https://www.phoenixcontact.com/mx/products/1326060>

DIN rail connector for safety switching devices, for supplying/controlling/monitoring (depending on the module)



Phoenix Contact 2023 © - all rights reserved

<https://www.phoenixcontact.com>

PHOENIX CONTACT S.A. de C.V.

Lago Alberto No. 319 - Piso 9

Colonia Granada, Delegación Miguel Hidalgo, México, Ciudad de México, C.P. 11520

+52/55/1101-1380

ventas@phoenixcontact.com.mx