

PSR-SACB-4/4-L- 5,0PUR-SD - Sensor/actuator box



2981871

<https://www.phoenixcontact.com/mx/products/2981871>

Please be informed that the data shown in this PDF document is generated from our online catalog. Please find the complete data in the user documentation. Our general terms of use for downloads are valid.



The sensor box PSR-SACB for safety limit switches safely interconnects up to 4 connected limit switches, each with 1 N/C contact and 1 N/O contact, to a safety relay combination, e.g. PSR-SDC4, cable length: 5 m

Your advantages

- Safety in the field, thanks to robust housing and high degree of protection
- Flexible, distributed bundling of signals in one master cable
- Convenient: increased machine availability thanks to quick and easy diagnostics

Commercial data

Item number	2981871
Packing unit	1 pc
Minimum order quantity	1 pc
Sales key	02
Product key	DNA222
Catalog page	Page 233 (C-6-2019)
GTIN	4046356167970
Weight per piece (including packing)	568.5 g
Weight per piece (excluding packing)	547 g
Customs tariff number	85366990
Country of origin	DE

PSR-SACB-4/4-L- 5,0PUR-SD - Sensor/actuator box



2981871

<https://www.phoenixcontact.com/mx/products/2981871>

Technical data

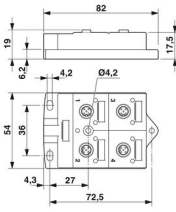
Product properties

Product type	Distributor boxes with M8 to M12 slots
Number of positions	4
Number of slots	4
Coding	A - standard
Area of application	Functional safety

Material specifications

Color	yellow
Flammability rating according to UL 94	V0
Insulating material	PA 6.6
Material of threaded sleeve	PA
Housing material	PA

Dimensions

Dimensional drawing	
Width	54 mm
Height	82 mm
Depth	19 mm

Connection data

Conductor connection

Connection method	Fixed connection
-------------------	------------------

Signaling

Status display	Yellow LED
Status display present	Yes

Electrical properties

Max. permissible current	100 mA (per signal output)
Max. permissible total current	100 mA (alarm outputs)
Nominal operating mode	100% operating factor

Air clearances and creepage distances

Rated insulation voltage	50 V DC
Rated surge voltage	0.8 kV

2981871

<https://www.phoenixcontact.com/mx/products/2981871>

Input data

Nominal input voltage U_N	24 V DC (from PSR)
Input voltage range in reference to U_N	0.8 ... 1.1

Cable/line

Cable length	5 m
Cable type	Master cable suitable for flexible cable conduit
Sensor/actuator connection system	M12 socket
Connection method	Fixed connection
Outside diameter	8.2 mm
Conductor cross section signal conductor	6x 0.34 mm ²
Metric conductor cross section (Signal)	0.3 mm ² ... 0.5 mm ²
Cross section AWG (Signal)	22 ... 24
AWG signal line	22
Conductor cross section voltage supply	2x 0.75 mm ²
Metric conductor cross section (Power)	0.75 mm ² ... 1 mm ²
Cross section AWG (Power)	24 ... 17
AWG power supply	18
Ambient temperature (operation)	-30 °C ... 70 °C (for fixed installation) -5 °C ... 70 °C (for flexible installation)

Standards and regulations

Air clearances and creepage distances

Standards/regulations	DIN EN 50178
-----------------------	--------------

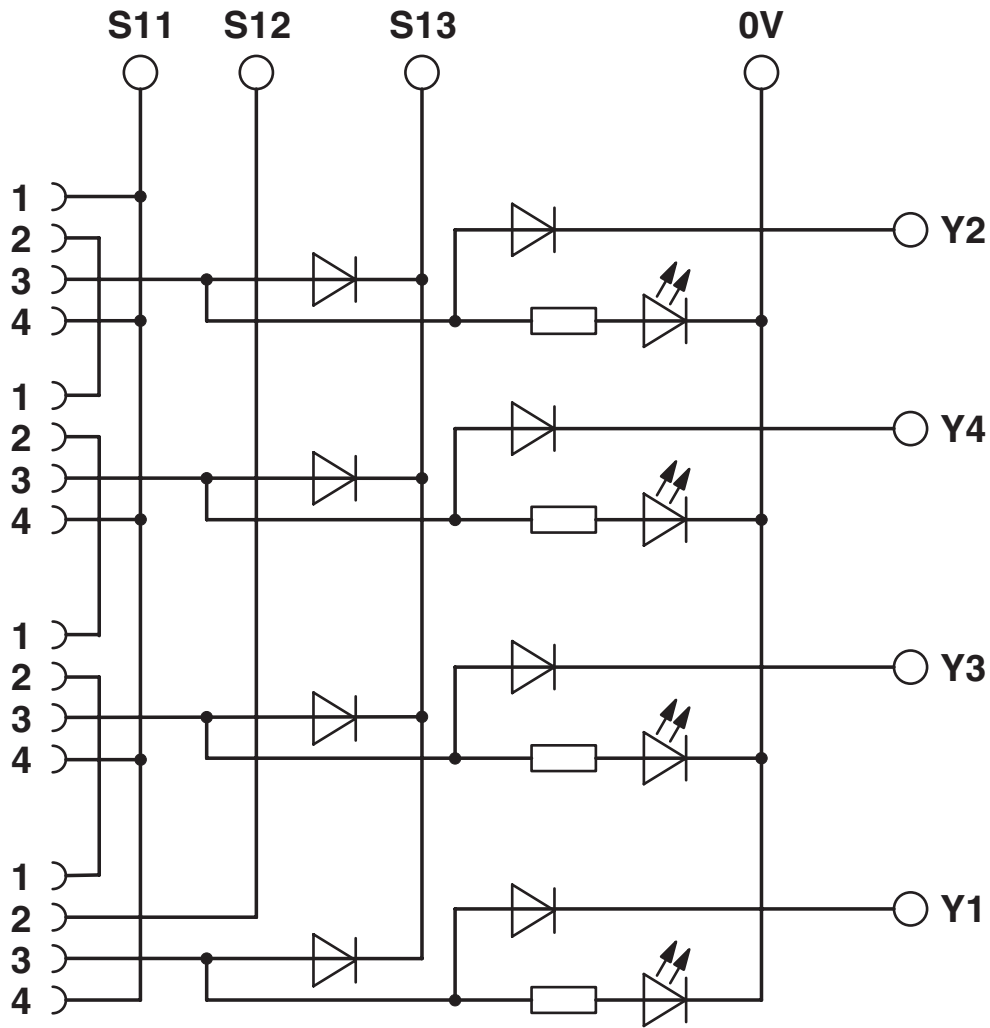
Environmental and real-life conditions

Ambient conditions

Degree of protection	IP65/IP67
Ambient temperature (operation)	-20 °C ... 70 °C
Ambient temperature (storage/transport)	-20 °C ... 70 °C

Drawings

Block diagram



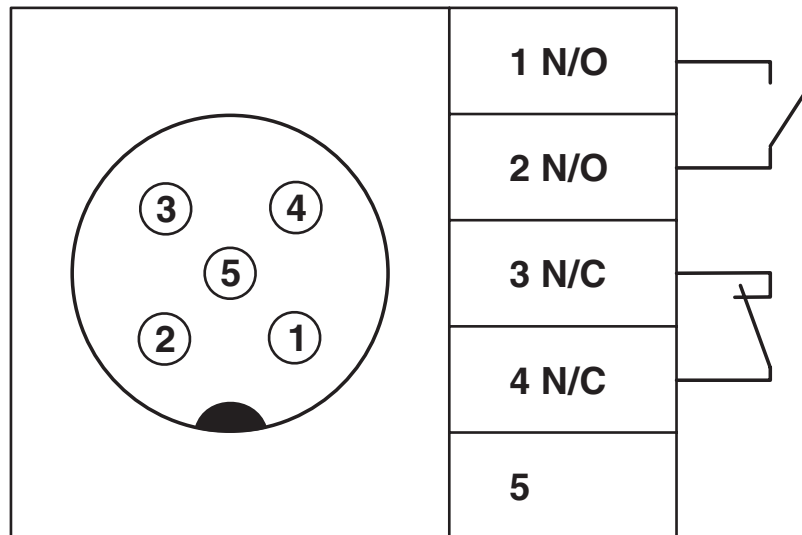
Block diagram

PSR-SACB-4/4-L- 5,0PUR-SD - Sensor/actuator box

2981871

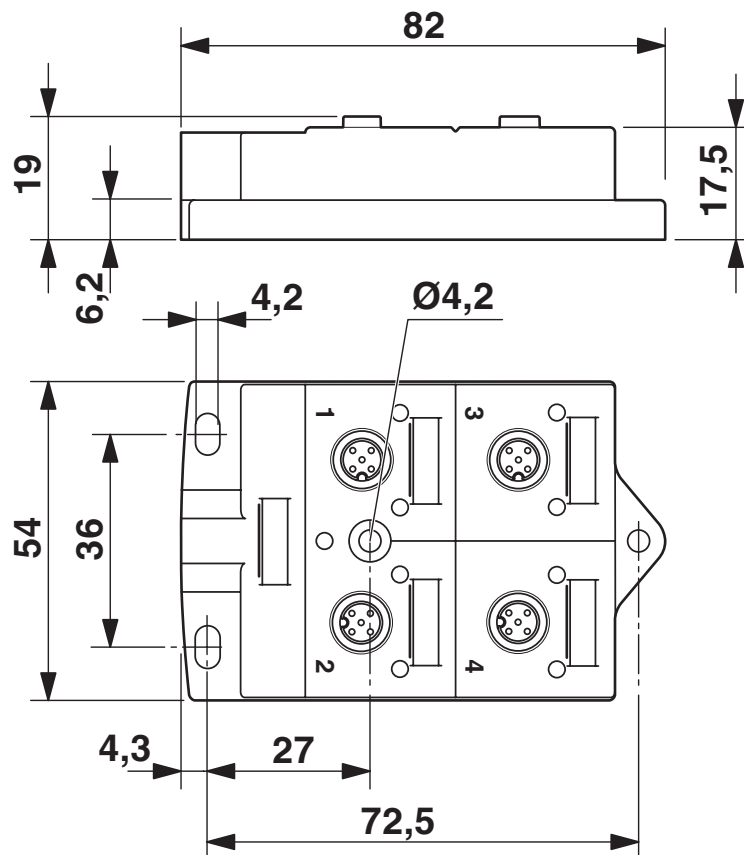
<https://www.phoenixcontact.com/mx/products/2981871>

Connection diagram



Wiring of the M12 contacts (open safety door)

Dimensional drawing

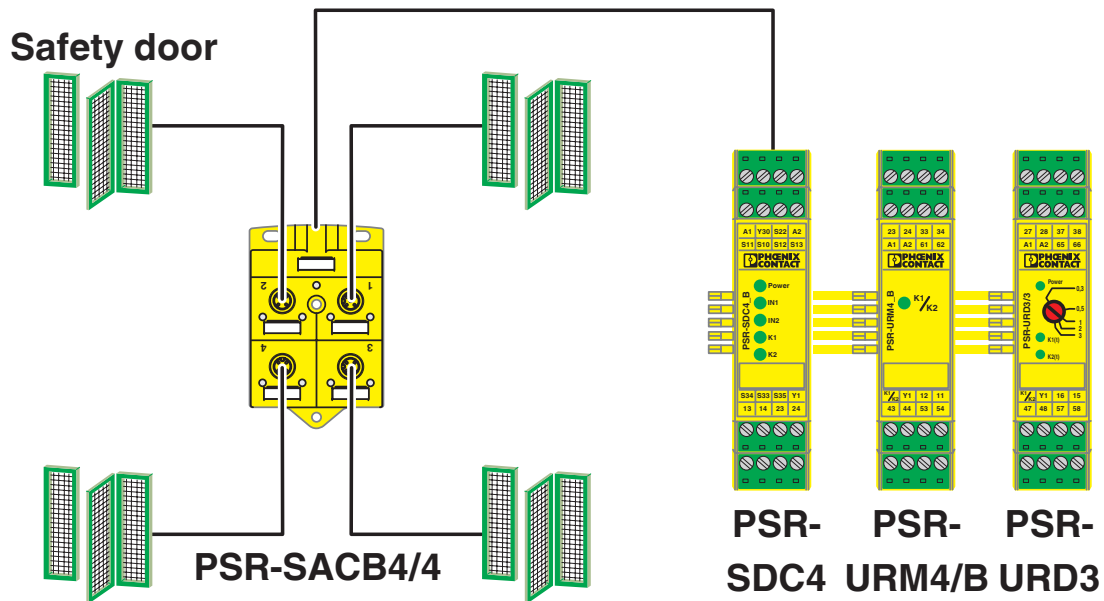


PSR-SACB-4/4-L- 5,0PUR-SD - Sensor/actuator box

2981871

<https://www.phoenixcontact.com/mx/products/2981871>

Application drawing



Signals of up to 4 safety door switches can be switched together directly in the field.

PSR-SACB-4/4-L- 5,0PUR-SD - Sensor/actuator box



2981871

<https://www.phoenixcontact.com/mx/products/2981871>

Approvals

To download certificates, visit the product detail page: <https://www.phoenixcontact.com/mx/products/2981871>



EAC

Approval ID: TR_TS_D_00573_c

PSR-SACB-4/4-L- 5,0PUR-SD - Sensor/actuator box



2981871

<https://www.phoenixcontact.com/mx/products/2981871>

Classifications

ECLASS

ECLASS-11.0

27440108

ETIM

ETIM 8.0

EC002585

UNSPSC

UNSPSC 21.0

31251500

PSR-SACB-4/4-L- 5,0PUR-SD - Sensor/actuator box



2981871

<https://www.phoenixcontact.com/mx/products/2981871>

Environmental product compliance

China RoHS	Environmentally friendly use period: unlimited = EFUP-e
	No hazardous substances above threshold values

PSR-SACB-4/4-L- 5,0PUR-SD - Sensor/actuator box



2981871

<https://www.phoenixcontact.com/mx/products/2981871>

Accessories

SAC-2P-M12MS ASI TR - Short-circuit connector

1539570

<https://www.phoenixcontact.com/mx/products/1539570>



Short-circuit plug, for bridging unused slots on PSR-SACB sensor box for safety limit switch

ZBN 18:UNBEDRUCKT - Zack marker strip

2809128

<https://www.phoenixcontact.com/mx/products/2809128>



Zack marker strip, Strip, white, unlabeled, can be labeled with: CMS-P1-PLOTTER, PLOTMARK, mounting type: snapped, for terminal block width: 18 mm, lettering field size: 18 x 5 mm, Number of individual labels: 5

Phoenix Contact 2023 © - all rights reserved

<https://www.phoenixcontact.com>

PHOENIX CONTACT S.A. de C.V.

Lago Alberto No. 319 - Piso 9

Colonia Granada, Delegación Miguel Hidalgo, México, Ciudad de México, C.P. 11520

+52/55/1101-1380

ventas@phoenixcontact.com.mx