

# PSR-SCP- 24DC/URM4/4X1/2X2/B - Extension module



2981677

<https://www.phoenixcontact.com/sk/products/2981677>

Please be informed that the data shown in this PDF document is generated from our online catalog. Please find the complete data in the user documentation. Our general terms of use for downloads are valid.



1-channel contact extension with TBUS interface, 4 N/O contacts, 1 N/C contact, 1 confirmation current path, undelayed, Cat. 4, PL e in accordance with EN ISO 13849, plug-in screw terminal blocks, width: 22.5 mm

## Your advantages

- 4 enabling current paths, 1 signaling current path, and 1 confirmation current path
- Up to Cat. 4/PL e in accordance with EN ISO 13849-1, SIL 3 in accordance with EN IEC 62061, SIL 3 in accordance with IEC 61508

## Commercial data

Item number	2981677
Packing unit	1 pc
Minimum order quantity	1 pc
Sales key	DNA
Product key	DNA231
Catalog page	Page 233 (C-6-2019)
GTIN	4046356081535
Weight per piece (including packing)	225.5 g
Weight per piece (excluding packing)	196.9 g
Customs tariff number	85371098
Country of origin	DE

# PSR-SCP- 24DC/URM4/4X1/2X2/B - Extension module



2981677

<https://www.phoenixcontact.com/sk/products/2981677>

## Technical data

### Product properties

Product type	Safety relays
Product family	PSRclassic
Application	Extension module
Mechanical service life	approx. $10^7$ cycles
Relay type	Electromechanical relay with force-guided contacts in accordance with IEC/EN 61810-3

### Electrical properties

Maximum power dissipation for nominal condition	1.01 W
Nominal operating mode	100% operating factor

Air clearances and creepage distances between the power circuits

Rated insulation voltage	250 V
Rated surge voltage/insulation	4 kV / basic isolation (safe isolation, reinforced insulation and 6 kV between input circuit/N/C contacts and enabling current paths).

### Input data

#### General

Rated control circuit supply voltage $U_S$	24 V DC
Voltage range with reference to $U_S$	0.9 ... 1.1
Rated control supply current $I_S$	42 mA
Typical response time	10 ms
Typical release time	10 ms
Recovery time	1 s
Protective circuit	Surge protection; Suppressor diode
Status display	Green LED

### Output data

Contact switching type	4 enabling current paths
	1 signaling current path
	1 confirmation current path
Contact material	AgSnO <sub>2</sub>
Maximum switching voltage	250 V AC/DC
Minimum switching voltage	15 V AC/DC
Limiting continuous current	6 A (N/O contact, DC1/AC1)
	3 A (N/C contact)
Maximum inrush current	6 A (N/O contact, DC1/AC1)
	3 A (N/C contact)
Inrush current, minimum	25 mA
Sq. Total current	$72 \text{ A}^2 (I_{TH}^2 = I_1^2 + I_2^2 + I_3^2 + I_4^2)$

# PSR-SCP- 24DC/URM4/4X1/2X2/B - Extension module



2981677

<https://www.phoenixcontact.com/sk/products/2981677>

Interrupting rating (ohmic load) max.	144 W (24 V DC, $\tau = 0$ ms, N/C contact 61/62: 72 W)
	288 W (48 V DC, $\tau = 0$ ms, N/C contact 61/62: 144 W)
	77 W (110 V DC, $\tau = 0$ ms)
	88 W (220 V DC, $\tau = 0$ ms)
	1500 VA (250 V AC, $\tau = 0$ ms, N/C contact 61/62: 750 VA)
Maximum interrupting rating (inductive load)	48 W (24 V DC, $\tau = 40$ ms)
	40 W (48 V DC, $\tau = 40$ ms)
	35 W (110 V DC, $\tau = 40$ ms)
	33 W (220 V DC, $\tau = 40$ ms)
Switching capacity min.	0.4 W
Switching capacity in accordance with IEC 60947-5-1	5 A (DC13)
	5 A (AC15)
Switching capacity (360/h cycles)	6 A (24 V DC)
	5 A (230 V AC)
Switching capacity (3600/h cycles)	3 A (24 V (DC13))
	3 A (230 V (AC15))
Output fuse	10 A gL/gG NEOZED (N/O contact)
	4 A gL/gG NEOZED (N/C contact)

## Connection data

### Connection technology

pluggable	yes
-----------	-----

### Conductor connection

Connection method	Screw connection
Conductor cross section rigid	0.2 mm <sup>2</sup> ... 2.5 mm <sup>2</sup>
Conductor cross section flexible	0.2 mm <sup>2</sup> ... 2.5 mm <sup>2</sup>
Conductor cross-section AWG	24 ... 12
Stripping length	7 mm
Screw thread	M3

## Dimensions

Width	22.5 mm
Height	99 mm
Depth	114.5 mm

## Material specifications

Housing material	Polyamide
------------------	-----------

## Characteristics

### Safety data

Stop category	0
---------------	---

Safety data: EN ISO 13849

# PSR-SCP- 24DC/URM4/4X1/2X2/B - Extension module



2981677

<https://www.phoenixcontact.com/sk/products/2981677>

Category	4 (In conjunction with suitable evaluating device)
Performance level (PL)	e (In conjunction with suitable evaluating device)
Safety data: IEC 61508 - High demand	
Safety Integrity Level (SIL)	3 (In conjunction with suitable evaluating device)
Safety data: IEC 61508 - Low demand	
Safety Integrity Level (SIL)	3 (In conjunction with suitable evaluating device)
Safety data: EN IEC 62061	
Safety Integrity Level (SIL)	3 (In conjunction with suitable evaluating device)

## Environmental and real-life conditions

### Ambient conditions

Degree of protection	IP20
Min. degree of protection of inst. location	IP54
Ambient temperature (operation)	-20 °C ... 55 °C
Ambient temperature (storage/transport)	-40 °C ... 70 °C
Maximum altitude	≤ 2000 m (Above sea level)
Max. permissible humidity (storage/transport)	75 % (on average, 85% infrequently, non-condensing)
Max. permissible relative humidity (operation)	75 % (on average, 85% infrequently, non-condensing)

## Standards and regulations

### Air clearances and creepage distances between the power circuits

Standards/regulations	IEC 60947-1
-----------------------	-------------

## Mounting

Mounting type	DIN rail mounting
Mounting position	any
Connection method	Screw connection

# PSR-SCP- 24DC/URM4/4X1/2X2/B - Extension module

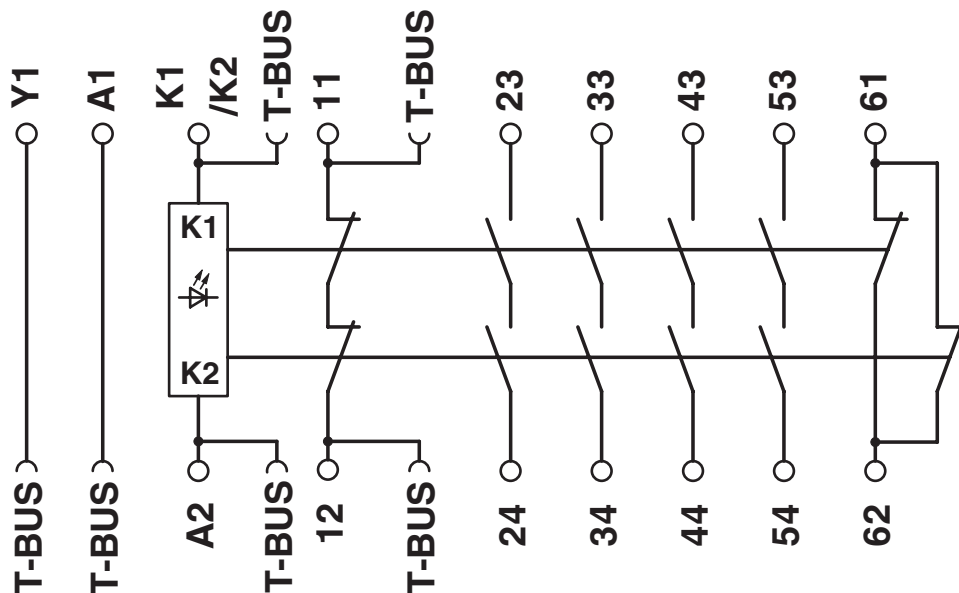


2981677

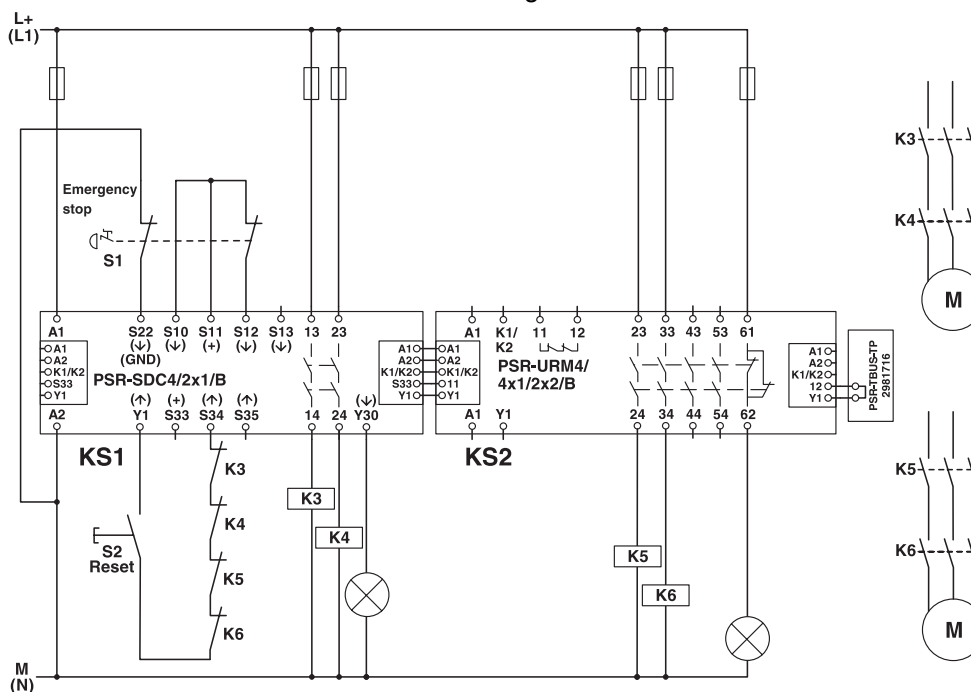
<https://www.phoenixcontact.com/sk/products/2981677>

## Drawings

Circuit diagram



Circuit diagram



# PSR-SCP- 24DC/URM4/4X1/2X2/B - Extension module



2981677

<https://www.phoenixcontact.com/sk/products/2981677>

## Approvals

To download certificates, visit the product detail page: <https://www.phoenixcontact.com/sk/products/2981677>



**EAC**

Approval ID: EAC-Zulassung



**EAC**

Approval ID: RU C-DE.A\*30.B.01082



**UL Listed**

Approval ID: FILE E 140324



**cUL Listed**

Approval ID: FILE E 140324



**Functional Safety**

Approval ID: 968/FSP 1678.00/18



**EAC**

Approval ID: TR TS\_D\_01838-19

**cULus Listed**

# PSR-SCP- 24DC/URM4/4X1/2X2/B - Extension module



2981677

<https://www.phoenixcontact.com/sk/products/2981677>

## Classifications

### ECLASS

ECLASS-11.0	27371819
ECLASS-12.0	27371819
ECLASS-13.0	27371819

### ETIM

ETIM 8.0	EC001449
----------	----------

### UNSPSC

UNSPSC 21.0	39122200
-------------	----------

# PSR-SCP- 24DC/URM4/4X1/2X2/B - Extension module



2981677

<https://www.phoenixcontact.com/sk/products/2981677>

## Environmental product compliance

REACH SVHC	Lead 7439-92-1
	Hexahydromethylphthalic anhydride
China RoHS	Environmentally Friendly Use Period = 50 years
	For information on hazardous substances, refer to the manufacturer's declaration available under "Downloads"



# PSR-SCP- 24DC/URM4/4X1/2X2/B - Extension module



2981677

<https://www.phoenixcontact.com/sk/products/2981677>

## Accessories

### PSR-TBUS - DIN rail bus connectors

2890425

<https://www.phoenixcontact.com/sk/products/2890425>

DIN rail connector for safety switching devices, for supplying/controlling/monitoring (depending on the module)



---

### PSR-TBUS-TP - DIN rail bus connectors

2981716

<https://www.phoenixcontact.com/sk/products/2981716>

Blind plug for the PSR-TBUS DIN rail connector used with the modular safety relay system (PSR-SDC4)



# PSR-SCP- 24DC/URM4/4X1/2X2/B - Extension module



2981677

<https://www.phoenixcontact.com/sk/products/2981677>

## PSR-TBUS - 1PCS - DIN rail bus connectors

1326060

<https://www.phoenixcontact.com/sk/products/1326060>

DIN rail connector for safety switching devices, for supplying/controlling/monitoring (depending on the module)



---

Phoenix Contact 2023 © - all rights reserved

<https://www.phoenixcontact.com>

PHOENIX CONTACT s.r.o.

Námestie Mateja Korvína 1

811 07 Bratislava

+421 2 3210 1470

[obchod.sk@phoenixcontact.com](mailto:obchod.sk@phoenixcontact.com)