

# PSR-SPP- 24DC/ESD/5X1/1X2/T10S - Safety relays



2981509

<https://www.phoenixcontact.com/mx/products/2981509>

Please be informed that the data shown in this PDF document is generated from our online catalog. Please find the complete data in the user documentation. Our general terms of use for downloads are valid.



Safety relay for emergency stop and safety door monitoring up to SIL 3 or Cat. 4, PL e in accordance with EN ISO 13849, automatic or manual activation, 3 N/O contacts, 1 N/C contact, 2 N/O contacts with a fixed dropout delay of 10 s, pluggable Push-in terminal block

## Your advantages

- Up to Cat. 3/PL d in accordance with EN ISO 13849-1, SIL 2 for delayed contacts
- Up to Cat. 4/PL e in accordance with ISO 13849-1, SIL 3 in accordance with EN IEC 62061, SIL 3 in accordance with IEC 61508 for undelayed contacts
- 1- and 2-channel control
- 3 undelayed and 2 dropout delay contacts
- Fixed delay times of 10 s
- For emergency stop and safety door monitoring, plus evaluation of light grids

## Commercial data

Item number	2981509
Packing unit	1 pc
Minimum order quantity	1 pc
Sales key	02
Product key	DNA132
GTIN	4017918981105
Weight per piece (including packing)	445 g
Weight per piece (excluding packing)	445 g
Customs tariff number	85364900
Country of origin	DE

## Technical data

### Product properties

Product type	Safety relays
Product family	PSRclassic
Application	Emergency stop
	Safety door
	Light grid
Mechanical service life	10x 10 <sup>6</sup> cycles
Relay type	Electromechanical relay with force-guided contacts in accordance with IEC/EN 61810-3

### Electrical properties

Maximum power dissipation for nominal condition	3.6 W
Nominal operating mode	100% operating factor

### Air clearances and creepage distances between the power circuits

Rated insulation voltage	250 V AC
Rated surge voltage/insulation	Basic insulation 4 kV: between all current paths and housing Safe isolation, reinforced insulation 6 kV: between 13/14, 23/24, 33/34, and the remaining current paths between 13/14, 23/24, 33/34 among one another

### Supply

Rated control circuit supply voltage $U_S$	20.4 V DC ... 26.4 V DC
Rated control circuit supply voltage $U_S$	24 V DC -15 % / +10 %

## Input data

### General

Power consumption at $U_S$	typ. 3.6 W
Rated control supply current $I_S$	typ. 150 mA
Inrush current	200 mA (at $U_S$ )
	< 40 mA (with $U_S/I_x$ to S10)
	< 150 mA (with $U_S/I_x$ to S12)
	> -60 mA (with $U_S/I_x$ to S22)
	< 40 mA (with $U_S/I_x$ to S34)
	< 40 mA (with $U_S/I_x$ to S35)
Current consumption	< 40 mA (with $U_S/I_x$ to S10)
	< 40 mA (with $U_S/I_x$ to S12)
	> -40 mA (with $U_S/I_x$ to S22)
	0 mA (with $U_S/I_x$ to S34)
	< 5 mA (with $U_S/I_x$ to S35)
Voltage at input/start and feedback circuit	24 V DC -15 % / +10 %
	1 ms (at A1 in the event of voltage dips at $U_S$ )

# PSR-SPP- 24DC/ESD/5X1/1X2/T10S - Safety relays



2981509

<https://www.phoenixcontact.com/mx/products/2981509>

Filter time	max. 1.5 ms (at S10, S12; test pulse width)
	7.5 ms (at S10, S12; test pulse rate)
	Test pulse rate = 5 x Test pulse width
Typical response time	< 600 ms (automatic start)
	< 70 ms (manual start)
Typ. starting time with $U_s$	< 600 ms (when controlled via A1)
Typical release time	< 20 ms (when controlled via S11/S12 and S21/S22)
	< 20 ms (when controlled via A1)
Concurrence	$\infty$
Recovery time	< 1 s
Delay time	K3(t), K4(t) fixed depending on model
Maximum switching frequency	0.5 Hz
Protective circuit	Surge protection; Suppressor diode
Max. permissible overall conductor resistance	approx. 11 $\Omega$ (Input and start circuits at $U_s$ )
Operating voltage display	1 x green LED
Status display	4 x green LEDs

## Output data

Contact switching type	5 enabling current paths
	1 signaling current path
Contact material	AgSnO <sub>2</sub>
Maximum switching voltage	250 V AC/DC (Observe the load curve)
Minimum switching voltage	5 V AC/DC
Limiting continuous current	6 A (N/O contact, pay attention to the derating)
	6 A (N/C contact)
Maximum inrush current	20 A ( $\Delta t \leq 100$ ms, undelayed contacts)
	8 A (delayed contacts)
Inrush current, minimum	10 mA
Sq. Total current	55 A <sup>2</sup> (observe derating)
Interrupting rating (ohmic load) max.	144 W (24 V DC, $\tau = 0$ ms)
	288 W (48 V DC, $\tau = 0$ ms)
	110 W (110 V DC, $\tau = 0$ ms, delayed contacts: 77 W)
	88 W (220 V DC, $\tau = 0$ ms)
	1500 VA (250 V AC, $\tau = 0$ ms, delayed contacts: 2000 VA)
Maximum interrupting rating (inductive load)	42 W (24 V DC, $\tau = 40$ ms, delayed contacts: 48 W)
	42 W (48 V DC, $\tau = 40$ ms, delayed contacts: 40 W)
	42 W (110 V DC, $\tau = 40$ ms, delayed contacts: 35 W)
	42 W (220 V DC, $\tau = 40$ ms, delayed contacts: 33 W)
Switching capacity min.	50 mW
Switching capacity (360/h cycles)	4 A (24 V DC)
	4 A (230 V AC)
Switching capacity (3600/h cycles)	2.5 A (24 V (DC13))
	3 A (230 V (AC15))
Output fuse	10 A gL/gG (N/O contact)

# PSR-SPP- 24DC/ESD/5X1/1X2/T10S - Safety relays



2981509

<https://www.phoenixcontact.com/mx/products/2981509>

6 A gL/gG (N/C contact)

## Connection data

### Connection technology

pluggable yes

### Conductor connection

Connection method	Push-in connection
Conductor cross section rigid	0.2 mm <sup>2</sup> ... 1.5 mm <sup>2</sup>
Conductor cross section flexible	0.2 mm <sup>2</sup> ... 1.5 mm <sup>2</sup>
Conductor cross section, flexible, with ferrule, with plastic sleeve	0.25 mm <sup>2</sup> ... 1.5 mm <sup>2</sup> (only together with CRIMPFOX 6)
Conductor cross section flexible, with ferrule without plastic sleeve	0.25 mm <sup>2</sup> ... 1.5 mm <sup>2</sup> (only together with CRIMPFOX 6)
Conductor cross-section AWG	24 ... 16
Stripping length	8 mm

## Dimensions

Width	45 mm
Height	112 mm
Depth	114.5 mm

## Material specifications

Housing material Polyamide

## Characteristics

### Safety data

Stop category	0
	1

### Safety data: EN ISO 13849

Category	4 (Undelayed contacts)
	3 (delayed contacts)
Performance level (PL)	e (for delayed contacts PL d)

### Safety data: IEC 61508 - High demand

Safety Integrity Level (SIL)	3 (for delayed contacts SIL 2)
------------------------------	--------------------------------

### Safety data: IEC 61508 - Low demand

Safety Integrity Level (SIL)	3 (for delayed contacts SIL 2)
------------------------------	--------------------------------

### Safety data: EN IEC 62061

Safety Integrity Level (SIL)	3 (for delayed contacts SIL 2)
------------------------------	--------------------------------

## Environmental and real-life conditions

### Ambient conditions

Degree of protection	IP20
----------------------	------

# PSR-SPP- 24DC/ESD/5X1/1X2/T10S - Safety relays



2981509

<https://www.phoenixcontact.com/mx/products/2981509>

Min. degree of protection of inst. location	IP54
Ambient temperature (operation)	-20 °C ... 55 °C (observe derating)
Ambient temperature (storage/transport)	-40 °C ... 70 °C
Maximum altitude	≤ 2000 m (Above sea level)
Max. permissible humidity (storage/transport)	75 % (on average, 85% infrequently, non-condensing)
Max. permissible relative humidity (operation)	75 % (on average, 85% infrequently, non-condensing)
Shock	15g
Vibration (operation)	10 Hz ... 150 Hz, 2g

## Approvals

CE

Certificate	CE-compliant
-------------	--------------

## Standards and regulations

Air clearances and creepage distances between the power circuits

Standards/regulations	DIN EN 50178/VDE 0160
-----------------------	-----------------------

## Mounting

Mounting type	DIN rail mounting
Mounting position	any
Connection method	Push-in connection

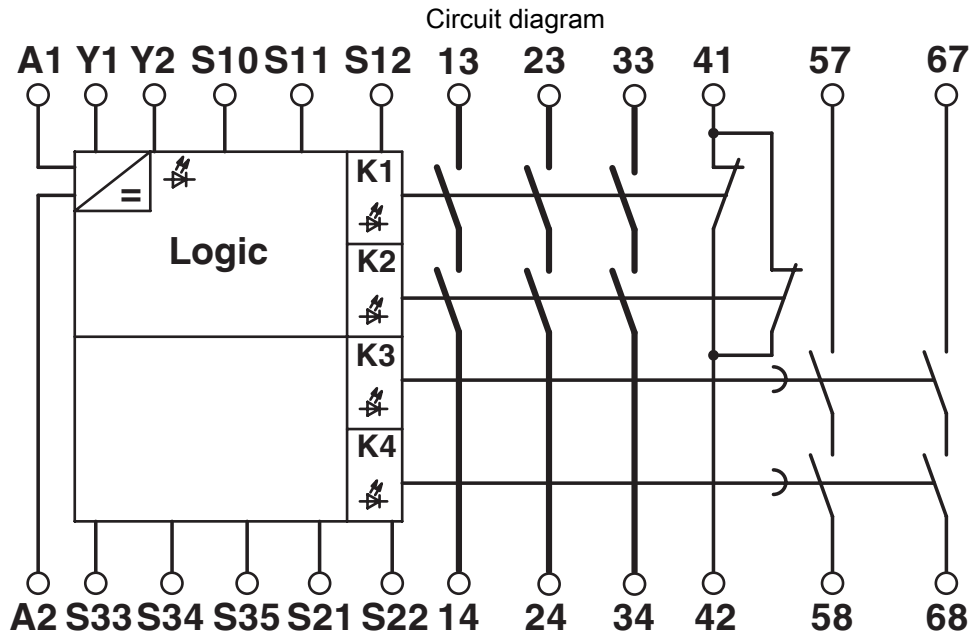
# PSR-SPP- 24DC/ESD/5X1/1X2/T10S - Safety relays



2981509

<https://www.phoenixcontact.com/mx/products/2981509>

## Drawings



2981509

<https://www.phoenixcontact.com/mx/products/2981509>

## Approvals

To download certificates, visit the product detail page: <https://www.phoenixcontact.com/mx/products/2981509>



**EAC**

Approval ID: RU C-DE.A\*30.B.01082



**UL Listed**

Approval ID: FILE E 140324



**cUL Listed**

Approval ID: FILE E 140324



**Functional Safety**

Approval ID: 01/205/5347.03/21

**cULus Listed**

2981509

<https://www.phoenixcontact.com/mx/products/2981509>

## Classifications

### ECLASS

ECLASS-11.0	27371819
ECLASS-13.0	27371819
ECLASS-12.0	27371819

### ETIM

ETIM 8.0	EC001449
----------	----------

### UNSPSC

UNSPSC 21.0	39122200
-------------	----------



# PSR-SPP- 24DC/ESD/5X1/1X2/T10S - Safety relays



2981509

<https://www.phoenixcontact.com/mx/products/2981509>

## Environmental product compliance

REACH SVHC	Lead 7439-92-1
China RoHS	Environmentally Friendly Use Period = 50 years
	For information on hazardous substances, refer to the manufacturer's declaration available under "Downloads"

Phoenix Contact 2023 © - all rights reserved

<https://www.phoenixcontact.com>

PHOENIX CONTACT S.A. de C.V.

Lago Alberto No. 319 - Piso 9

Colonia Granada, Delegación Miguel Hidalgo, México, Ciudad de México, C.P. 11520

+52/55/1101-1380

[ventas@phoenixcontact.com.mx](mailto:ventas@phoenixcontact.com.mx)