

# PSR-SPP- 24UC/URM4/5X1/2X2/B - Extension module



2981046

<https://www.phoenixcontact.com/sk/products/2981046>

Please be informed that the data shown in this PDF document is generated from our online catalog. Please find the complete data in the user documentation. Our general terms of use for downloads are valid.



Single or two-channel contact extension, 5 N/O contacts, 1 N/C contact, 1 confirmation current path, width: 22.5 mm, pluggable Push-in terminal block

## Your advantages

- 1- and 2-channel control
- Up to Cat. 4/PL e in accordance with EN ISO 13849-1, SIL 3 in accordance with EN IEC 62061, SIL 3 in accordance with IEC 61508

## Commercial data

Item number	2981046
Packing unit	1 pc
Minimum order quantity	1 pc
Sales key	DNA
Product key	DNA152
Catalog page	Page 232 (C-6-2019)
GTIN	4017918915520
Weight per piece (including packing)	207.4 g
Weight per piece (excluding packing)	20.4 g
Customs tariff number	85371098
Country of origin	DE

# PSR-SPP- 24UC/URM4/5X1/2X2/B - Extension module



2981046

<https://www.phoenixcontact.com/sk/products/2981046>

## Technical data

### Product properties

Product type	Safety relays
Product family	PSRclassic
Application	Extension module
Mechanical service life	10x 10 <sup>6</sup> cycles
Relay type	Electromechanical relay with force-guided contacts in accordance with IEC/EN 61810-3

### Electrical properties

Maximum power dissipation for nominal condition	2.21 W
Nominal operating mode	100% operating factor

Air clearances and creepage distances between the power circuits

Rated insulation voltage	250 V AC
Rated surge voltage/insulation	Basic insulation 4 kV: between all current paths and housing Safe isolation, reinforced insulation 6 kV: between A1/A2, 11/12, 23/24, 71/72 and 33/34, 43/44, 53/54, 63/64

### Input data

#### General

Rated control circuit supply voltage $U_S$	24 V AC/DC -15 % / +10 %
Power consumption at $U_S$	typ. 1.94 W (AC)
	typ. 1.7 W (DC)
Rated control supply current $I_S$	typ. 81 mA AC
	typ. 71 mA DC
Inrush current	175 mA ( $\Delta t = 5$ ms at $U_S$ )
Filter time	2 ms (at A1 in the event of voltage dips at $U_S$ )
Typ. starting time with $U_S$	< 20 ms (when controlled via A1)
Typical release time	< 20 ms (when controlled via A1)
Recovery time	< 1 s
Maximum switching frequency	1 Hz
Protective circuit	Surge protection; Varistor

### Output data

Contact switching type	5 enabling current paths
	1 confirmation current path
	1 signaling current path
Contact material	AgSnO <sub>2</sub>
Maximum switching voltage	250 V AC/DC (Observe the load curve)
Minimum switching voltage	5 V AC/DC
Limiting continuous current	6 A (N/O contact, pay attention to the derating)

# PSR-SPP- 24UC/URM4/5X1/2X2/B - Extension module



2981046

<https://www.phoenixcontact.com/sk/products/2981046>

	6 A (N/C contact)
Maximum inrush current	20 A ( $\Delta t \leq 100$ ms)
Inrush current, minimum	10 mA
Sq. Total current	72 A <sup>2</sup> (observe derating)
Interrupting rating (ohmic load) max.	144 W (24 V DC, $\tau = 0$ ms)
	288 W (48 V DC, $\tau = 0$ ms)
	110 W (110 V DC, $\tau = 0$ ms)
	88 W (220 V DC, $\tau = 0$ ms)
	1500 VA (250 V AC, $\tau = 0$ ms)
Maximum interrupting rating (inductive load)	42 W (24 V DC, $\tau = 40$ ms)
	42 W (48 V DC, $\tau = 40$ ms)
	42 W (110 V DC, $\tau = 40$ ms)
	42 W (220 V DC, $\tau = 40$ ms)
Switching capacity min.	50 mW
Switching capacity (360/h cycles)	4 A (24 V DC)
	4 A (230 V AC)
Switching capacity (3600/h cycles)	2.5 A (24 V (DC13))
	3 A (230 V (AC15))
Output fuse	10 A gL/gG (N/O contact)
	6 A gL/gG (N/C contact)

## Connection data

### Connection technology

pluggable	yes
-----------	-----

### Conductor connection

Connection method	Push-in connection
Conductor cross section rigid	0.2 mm <sup>2</sup> ... 1.5 mm <sup>2</sup>
Conductor cross section flexible	0.2 mm <sup>2</sup> ... 1.5 mm <sup>2</sup>
Conductor cross section, flexible, with ferrule, with plastic sleeve	0.25 mm <sup>2</sup> ... 1.5 mm <sup>2</sup> (only together with CRIMPFOX 6)
Conductor cross section flexible, with ferrule without plastic sleeve	0.25 mm <sup>2</sup> ... 1.5 mm <sup>2</sup> (only together with CRIMPFOX 6)
Conductor cross-section AWG	24 ... 16
Stripping length	8 mm

## Signaling

Operating voltage display	1 x green LED
---------------------------	---------------

## Dimensions

Width	22.5 mm
Height	112 mm
Depth	114.5 mm

## Material specifications

Housing material	Polyamide
------------------	-----------

# PSR-SPP- 24UC/URM4/5X1/2X2/B - Extension module



2981046

<https://www.phoenixcontact.com/sk/products/2981046>

## Characteristics

### Safety data

Stop category	0
---------------	---

### Safety data: EN ISO 13849

Category	4 (In conjunction with suitable evaluating device)
Performance level (PL)	e (In conjunction with suitable evaluating device)

### Safety data: IEC 61508 - High demand

Safety Integrity Level (SIL)	3 (In conjunction with suitable evaluating device)
------------------------------	--

### Safety data: IEC 61508 - Low demand

Safety Integrity Level (SIL)	3 (In conjunction with suitable evaluating device)
------------------------------	--

### Safety data: EN IEC 62061

Safety Integrity Level (SIL)	3 (In conjunction with suitable evaluating device)
------------------------------	--

## Environmental and real-life conditions

### Ambient conditions

Degree of protection	IP20
Min. degree of protection of inst. location	IP54
Ambient temperature (operation)	-20 °C ... 55 °C (observe derating)
Ambient temperature (storage/transport)	-40 °C ... 70 °C
Maximum altitude	max. 2000 m (Above sea level)
Max. permissible humidity (storage/transport)	75 % (on average, 85% infrequently, non-condensing)
Max. permissible relative humidity (operation)	75 % (on average, 85% infrequently, non-condensing)
Shock	15g
Vibration (operation)	10 Hz ... 150 Hz, 2g

## Approvals

### CE

Identification	CE-compliant
----------------	--------------

## Standards and regulations

### Air clearances and creepage distances between the power circuits

Standards/regulations	IEC 60664-1
-----------------------	-------------

## Mounting

Mounting type	DIN rail mounting
Assembly instructions	See derating curve
Mounting position	vertical or horizontal
Connection method	Push-in connection

# PSR-SPP- 24UC/URM4/5X1/2X2/B - Extension module

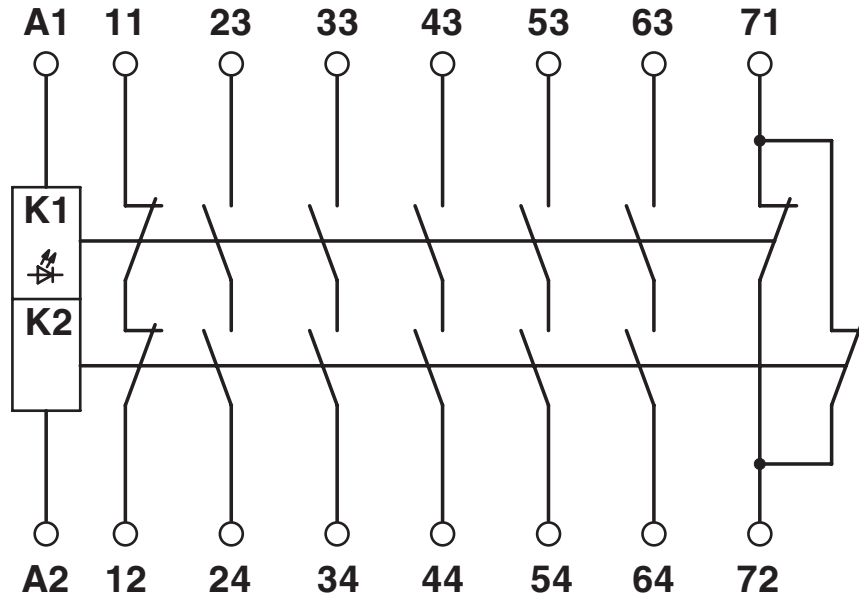


2981046

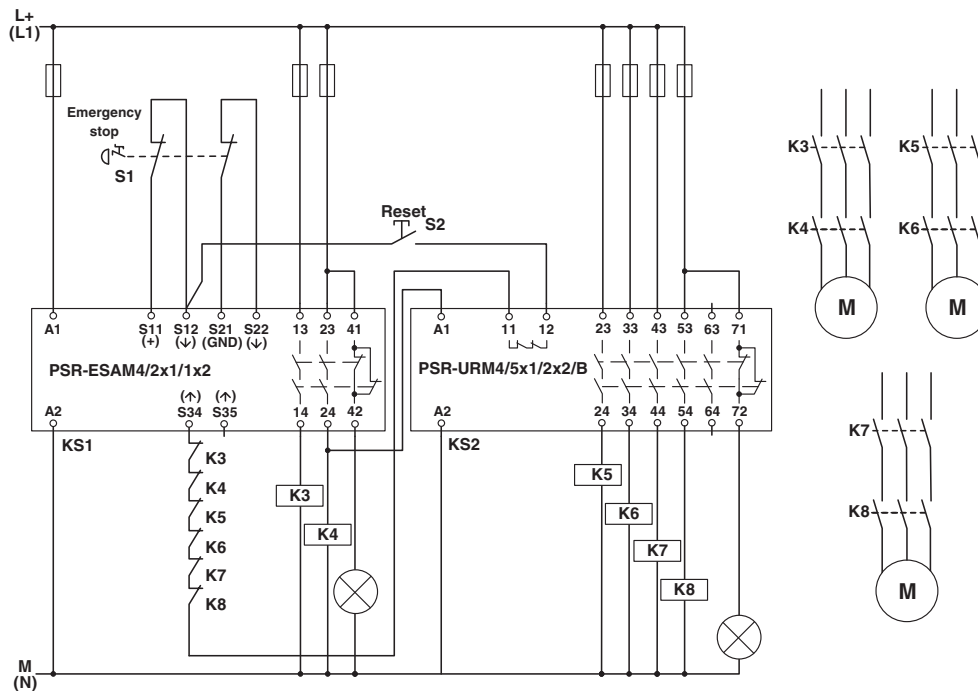
<https://www.phoenixcontact.com/sk/products/2981046>

## Drawings

Circuit diagram



Circuit diagram



# PSR-SPP- 24UC/URM4/5X1/2X2/B - Extension module



2981046

<https://www.phoenixcontact.com/sk/products/2981046>

## Approvals

To download certificates, visit the product detail page: <https://www.phoenixcontact.com/sk/products/2981046>



**EAC**

Approval ID: TR TS\_D\_01838-19



**UL Listed**

Approval ID: FILE E 140324



**cUL Listed**

Approval ID: FILE E 140324



**Functional Safety**

Approval ID: 968/FSP 1265.02/21



**Functional Safety**

Approval ID: 968/FSP 1265.02/21

**cULus Listed**

# PSR-SPP- 24UC/URM4/5X1/2X2/B - Extension module



2981046

<https://www.phoenixcontact.com/sk/products/2981046>

## Classifications

### ECLASS

ECLASS-11.0	27371819
ECLASS-13.0	27371819
ECLASS-12.0	27371819

### ETIM

ETIM 8.0	EC001449
----------	----------

### UNSPSC

UNSPSC 21.0	39122200
-------------	----------

# PSR-SPP- 24UC/URM4/5X1/2X2/B - Extension module



2981046

<https://www.phoenixcontact.com/sk/products/2981046>

## Environmental product compliance

REACH SVHC	Lead 7439-92-1
China RoHS	Environmentally Friendly Use Period = 50 years
	For information on hazardous substances, refer to the manufacturer's declaration available under "Downloads"

Phoenix Contact 2023 © - all rights reserved

<https://www.phoenixcontact.com>

PHOENIX CONTACT s.r.o.

Námestie Mateja Korvína 1

811 07 Bratislava

+421 2 3210 1470

[obchod.sk@phoenixcontact.com](mailto:obchod.sk@phoenixcontact.com)