

PSR-MS55-1NO-1DO-24DC-SC - Safety relays



2904957

<https://www.phoenixcontact.com/sk/products/2904957>

Please be informed that the data shown in this PDF document is generated from our online catalog. Please find the complete data in the user documentation. Our general terms of use for downloads are valid.



Safety relay for monitoring non-equivalent signal generators up to SIL 3, Cat. 4, PL e, 2-channel, non-equivalent operation, manual, monitored start, 1 enabling current path, $U_S = 24 \text{ V DC}$, fixed screw terminal block

Your advantages

- Up to Cat. 4/PL e in accordance with EN ISO 13849-1, SIL 3 in accordance with EN IEC 62061
- Low housing width of just 6.8 mm
- Two-channel non-equivalent control
- 1 enabling current path, 1 digital signal output
- Manual and monitored activation

Commercial data

Item number	2904957
Packing unit	1 pc
Minimum order quantity	1 pc
Sales key	DNA
Product key	DNA171
Catalog page	Page 218 (C-6-2019)
GTIN	4046356904872
Weight per piece (including packing)	89 g
Weight per piece (excluding packing)	69 g
Customs tariff number	85371098
Country of origin	DE

PSR-MS55-1NO-1DO-24DC-SC - Safety relays



2904957

<https://www.phoenixcontact.com/sk/products/2904957>

Technical data

Product properties

Product type	Safety relays
Product family	PSRmini
Application	Antivalent signal generator
	Safety door
	Solenoid switch
Relay type	Electromechanical relay with force-guided contacts in accordance with IEC/EN 61810-3

Times

Typical response time	< 175 ms
Typ. starting time with U_S	< 250 ms (when controlled via A1)
Typical release time	< 20 ms (when controlled via A1 or S12 and S13.)
Recovery time	< 500 ms

Electrical properties

Maximum power dissipation for nominal condition	3 W ()
Nominal operating mode	100% operating factor

Air clearances and creepage distances between the power circuits

Rated insulation voltage	250 V AC
	250 V AC
Rated surge voltage/insulation	Safe isolation, reinforced insulation 6 kV between input circuit and enabling current path Basic insulation 4 kV between all current paths and housing

Supply

Designation	A1/A2
Rated control circuit supply voltage U_S	20.4 V DC ... 26.4 V DC
Rated control circuit supply voltage U_S	24 V DC -15 % / +10 %
Rated control supply current I_S	typ. 42 mA
Power consumption at U_S	typ. 1 W
Inrush current	4.5 A ($\Delta t < 120 \mu s$ at U_S)
Filter time	1 ms (at A1 in the event of voltage dips at U_S)
Protective circuit	Surge protection; Suppressor diode
	Protection against polarity reversal for rated control circuit supply voltage

Input data

Digital: Sensor circuit (S12, S13)

Description of the input	safety-related sensor inputs
Input voltage range "0" signal	0 V DC ... 5 V DC (for safe Off; at S12)
Input current range "0" signal	0 mA ... 2 mA (for safe Off; at S12)

PSR-MS55-1NO-1DO-24DC-SC - Safety relays



2904957

<https://www.phoenixcontact.com/sk/products/2904957>

Inrush current	< 20 mA (with U_s/I_x to S12)
	< 20 mA (with U_s/I_x to S13)
Filter time	max. 1.5 ms (at S12, S13; test pulse width)
	min. 7.5 ms (at S12, S13; test pulse rate)
	Test pulse rate = 5 x Test pulse width
Max. permissible overall conductor resistance	150 Ω
Current consumption	< 5 mA (with U_s/I_x to S12)
	< 5 mA (with U_s/I_x to S13)

Digital: Start circuit (S34)

Description of the input	non-safety-related
Number of inputs	1
Input voltage range "1" signal	20.4 V DC ... 26.4 V DC
Inrush current	< 10 mA
Max. permissible overall conductor resistance	150 Ω
Protective circuit	Suppressor diode
Current consumption	< 10 mA

Output data

Relay: Enabling current path (13/14)

Output description	safety-related N/O contacts
Number of outputs	1 (undelayed)
Contact switching type	1 enabling current path
Contact material	AgSnO ₂
Switching voltage	min. 12 V AC/DC
	max. 250 V AC/DC (Observe the load curve)
Switching capacity	min. 60 mW
Inrush current	min. 3 mA
	max. 6 A
Limiting continuous current	6 A (observe derating)
Sq. Total current	36 A ² (observe derating)
Switching frequency	max. 0.5 Hz
Mechanical service life	10x 10 ⁶ cycles
Output fuse	6 A gL/gG (N/O contact)
	4 A gL/gG (for low-demand applications)

Signal: M1

Output description	non-safety-related
Number of outputs	1 (digital, PNP)
Voltage	22 V DC ($U_s - 2$ V)
Current	max. 100 mA
Maximum inrush current	500 mA ($\Delta t = 1$ ms at U_s)
Short-circuit protection	no

Connection data

PSR-MS55-1NO-1DO-24DC-SC - Safety relays



2904957

<https://www.phoenixcontact.com/sk/products/2904957>

Connection technology

pluggable	no
-----------	----

Conductor connection

Connection method	Screw connection
Conductor cross section rigid	0.2 mm ² ... 2.5 mm ²
Conductor cross section flexible	0.2 mm ² ... 2.5 mm ²
Conductor cross-section AWG	24 ... 12
Stripping length	12 mm
Screw thread	M3

Signaling

Status display	2 x green LEDs
Operating voltage display	1 x green LED

Dimensions

Width	6.8 mm
Height	93.1 mm
Depth	102.5 mm

Material specifications

Housing material	PBT
------------------	-----

Characteristics

Safety data

Stop category	0
---------------	---

Safety data: EN ISO 13849

Category	4
Performance level (PL)	e (4 A DC13; 5 A AC15; 8760 switching cycles/year)

Safety data: IEC 61508 - High demand

Safety Integrity Level (SIL)	3
------------------------------	---

Safety data: IEC 61508 - Low demand

Safety Integrity Level (SIL)	3
------------------------------	---

Safety data: EN IEC 62061

Safety Integrity Level (SIL)	3
------------------------------	---

Environmental and real-life conditions

Ambient conditions

Degree of protection	IP20
Min. degree of protection of inst. location	IP54
Ambient temperature (operation)	-40 °C ... 60 °C (observe derating)

PSR-MS55-1NO-1DO-24DC-SC - Safety relays



2904957

<https://www.phoenixcontact.com/sk/products/2904957>

Ambient temperature (storage/transport)	-40 °C ... 85 °C
Maximum altitude	≤ 2000 m (Above sea level)
Max. permissible humidity (storage/transport)	75 % (on average, 85% infrequently, non-condensing)
Max. permissible relative humidity (operation)	75 % (on average, 85% infrequently, non-condensing)
Shock	15g
Vibration (operation)	10 Hz ... 150 Hz, 2g

Approvals

CE

Certificate	CE-compliant
-------------	--------------

Standards and regulations

Air clearances and creepage distances between the power circuits

Standards/regulations	EN 60947-1
-----------------------	------------

Mounting

Mounting type	DIN rail mounting
Mounting position	vertical or horizontal
Connection method	Screw connection

PSR-MS55-1NO-1DO-24DC-SC - Safety relays

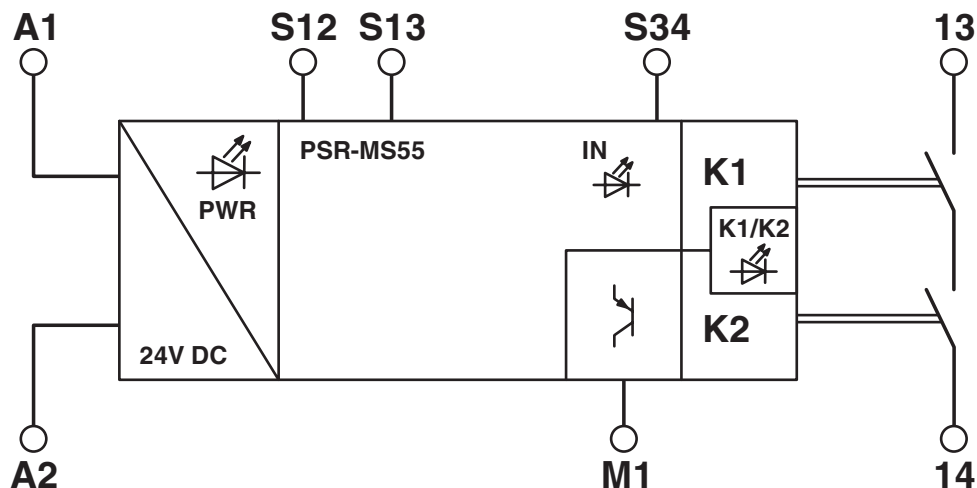


2904957

<https://www.phoenixcontact.com/sk/products/2904957>

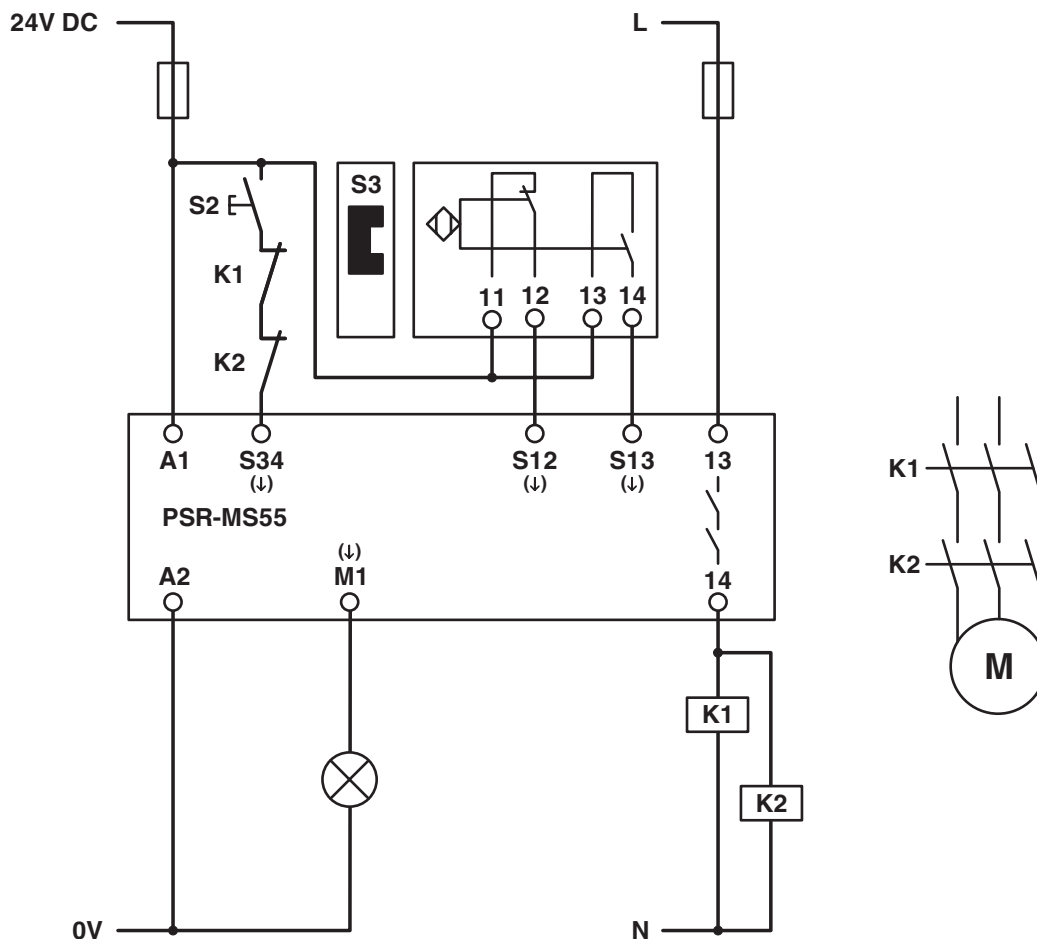
Drawings

Block diagram



Block diagram

Circuit diagram



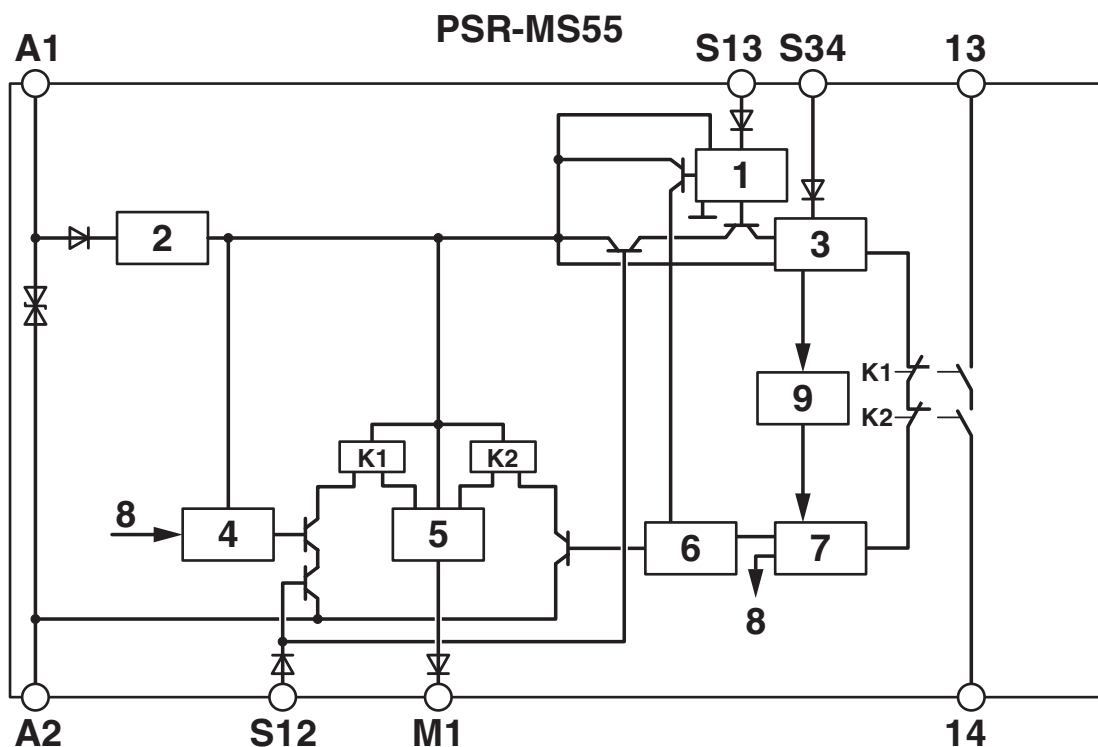
PSR-MS55-1NO-1DO-24DC-SC - Safety relays



2904957

<https://www.phoenixcontact.com/sk/products/2904957>

Block diagram



Key:

- 1 = Input circuit
- 2 = Voltage limitation
- 3 = Start circuit
- 4 = Control circuit channel 1
- 5 = Control circuit signal output
- 6 = Control circuit channel 2
- 7 = Start channel 1 and 2
- 8 = Channel 1
- 9 = Diagnostics
- K1, K2 = Force-guided elementary relays

PSR-MS55-1NO-1DO-24DC-SC - Safety relays



2904957

<https://www.phoenixcontact.com/sk/products/2904957>

Approvals

To download certificates, visit the product detail page: <https://www.phoenixcontact.com/sk/products/2904957>



EAC

Approval ID: RU C-DE.A*30.B.01082



UL Listed

Approval ID: FILE E 140324



cUL Listed

Approval ID: FILE E 140324



Functional Safety

Approval ID: 44-205-13755202

cULus Listed

PSR-MS55-1NO-1DO-24DC-SC - Safety relays



2904957

<https://www.phoenixcontact.com/sk/products/2904957>

Classifications

ECLASS

ECLASS-11.0	27371819
ECLASS-13.0	27371819
ECLASS-12.0	27371819

ETIM

ETIM 8.0	EC001449
----------	----------

UNSPSC

UNSPSC 21.0	39122200
-------------	----------

PSR-MS55-1NO-1DO-24DC-SC - Safety relays



2904957

<https://www.phoenixcontact.com/sk/products/2904957>

Environmental product compliance

REACH SVHC	Lead 7439-92-1
China RoHS	Environmentally Friendly Use Period = 50 years
	For information on hazardous substances, refer to the manufacturer's declaration available under "Downloads"

PSR-MS55-1NO-1DO-24DC-SC - Safety relays



2904957

<https://www.phoenixcontact.com/sk/products/2904957>

Accessories

ZBF 6:UNBEDRUCKT - Zack Marker strip, flat

0808710

<https://www.phoenixcontact.com/sk/products/0808710>



Zack Marker strip, flat, Strip, white, unlabeled, can be labeled with: PLOTMARK, CMS-P1-PLOTTER, mounting type: snapped, for terminal block width: 6.2 mm, lettering field size: 5.15 x 6.15 mm, Number of individual labels: 10

Phoenix Contact 2023 © - all rights reserved
<https://www.phoenixcontact.com>

PHOENIX CONTACT s.r.o.
Námestie Mateja Korvína 1
811 07 Bratislava
+421 2 3210 1470
obchod.sk@phoenixcontact.com