

PSR-FTB/1.5/11.5 - Filter terminal block



2904476

<https://www.phoenixcontact.com/sk/products/2904476>

Please be informed that the data shown in this PDF document is generated from our online catalog. Please find the complete data in the user documentation. Our general terms of use for downloads are valid.



Terminal block for filtering test pulses from safe semiconductor outputs with adjustable filter values (1.5 μ F/11.5 μ F), as well as for EMC filtering of 24 V signals up to an amperage of 2 A.

Commercial data

| | |
|--------------------------------------|---------------------|
| Item number | 2904476 |
| Packing unit | 1 pc |
| Minimum order quantity | 1 pc |
| Sales key | DNA |
| Product key | DNA35Z |
| Catalog page | Page 263 (C-6-2019) |
| GTIN | 4046356831505 |
| Weight per piece (including packing) | 53 g |
| Weight per piece (excluding packing) | 28.6 g |
| Customs tariff number | 85369010 |
| Country of origin | DE |

Technical data

Product properties

| | |
|---------------------|-----------------------|
| Product type | Filter terminal block |
| Operating mode | 100% operating factor |
| Area of application | Functional safety |

Insulation characteristics

| | |
|------------|------------------|
| Insulation | Basic insulation |
|------------|------------------|

Insulation characteristics: Air clearances and creepage distances between the power circuits

| | |
|----------------------|------------------|
| Insulation | Basic insulation |
| Overvoltage category | II |
| Pollution degree | 2 |

Electrical properties

| | |
|---|-------|
| Maximum power dissipation for nominal condition | 3.6 W |
|---|-------|

Air clearances and creepage distances between the power circuits

| | |
|--------------------------|--------|
| Rated insulation voltage | 50 V |
| Rated surge voltage | 1.5 kV |

Input data

| | |
|--------------------------------|--|
| Nominal input voltage U_N | 24 V DC ± 20 % (Control voltage U_{ST} right/left) |
| Typical input current at U_N | max. 15 mA |
| Protective circuit | Surge protection |

Output data

| | |
|------------------------------|---|
| Nominal output voltage | 24 V DC ± 20 % (Control voltage U_{ST} right/left) |
| Nominal output voltage range | 19.2 V DC ... 28.8 V DC (Control voltage U_{ST} right/left) |
| Limiting continuous current | max. 2 A (in total for OUT1 + OUT2) |
| Load current range | 65 mA |

Connection data

Control circuits

| | |
|----------------------------------|--|
| Connection method | Push-in connection |
| Stripping length | 8 mm |
| Conductor cross section rigid | 0.14 mm ² ... 2.5 mm ² |
| Conductor cross section flexible | 0.14 mm ² ... 2.5 mm ² |
| Conductor cross section AWG | 26 ... 14 |

Load circuit

| | |
|-------------------------------|--|
| Connection method | Push-in connection |
| Stripping length | 8 mm |
| Conductor cross section rigid | 0.14 mm ² ... 2.5 mm ² |

PSR-FTB/1.5/11.5 - Filter terminal block



2904476

<https://www.phoenixcontact.com/sk/products/2904476>

| | |
|----------------------------------|--|
| Conductor cross section flexible | 0.14 mm ² ... 2.5 mm ² |
| Conductor cross section AWG | 26 ... 14 |

Dimensions

| | |
|--------|--------|
| Width | 6.2 mm |
| Height | 94 mm |
| Depth | 80 mm |

Environmental and real-life conditions

Ambient conditions

| | |
|---|------------------|
| Degree of protection | IP20 |
| Ambient temperature (operation) | -25 °C ... 55 °C |
| Ambient temperature (storage/transport) | -25 °C ... 70 °C |

Standards and regulations

Air clearances and creepage distances between the power circuits

| | |
|-----------------------|----------|
| Standards/regulations | EN 61131 |
|-----------------------|----------|

Mounting

| | |
|-----------------------|--------------------------------|
| Assembly instructions | in rows with zero spacing |
| Mounting position | Vertical (horizontal DIN rail) |

PSR-FTB/1.5/11.5 - Filter terminal block

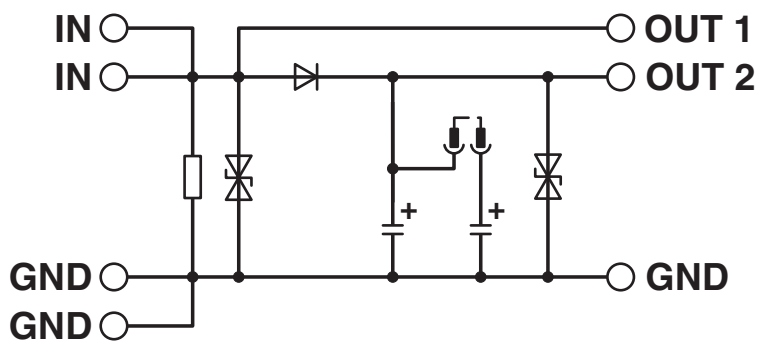


2904476

<https://www.phoenixcontact.com/sk/products/2904476>

Drawings

Circuit diagram



PSR-FTB/1.5/11.5 - Filter terminal block



2904476

<https://www.phoenixcontact.com/sk/products/2904476>

Approvals

To download certificates, visit the product detail page: <https://www.phoenixcontact.com/sk/products/2904476>



EAC

Approval ID: RU C-DE.A*30.B.01082

PSR-FTB/1.5/11.5 - Filter terminal block



2904476

<https://www.phoenixcontact.com/sk/products/2904476>

Classifications

ECLASS

| | |
|-------------|----------|
| ECLASS-11.0 | 27240692 |
| ECLASS-12.0 | 27240692 |
| ECLASS-13.0 | 27240692 |

ETIM

| | |
|----------|----------|
| ETIM 8.0 | EC002584 |
|----------|----------|

UNSPSC

| | |
|-------------|----------|
| UNSPSC 21.0 | 39121400 |
|-------------|----------|

PSR-FTB/1.5/11.5 - Filter terminal block



2904476

<https://www.phoenixcontact.com/sk/products/2904476>

Environmental product compliance

| | |
|------------|--|
| REACH SVHC | Lead 7439-92-1 |
| China RoHS | Environmentally Friendly Use Period = 50 years |
| | For information on hazardous substances, refer to the manufacturer's declaration available under "Downloads" |

Phoenix Contact 2023 © - all rights reserved
<https://www.phoenixcontact.com>

PHOENIX CONTACT s.r.o.
Námestie Mateja Korvína 1
811 07 Bratislava
+421 2 3210 1470
obchod.sk@phoenixcontact.com