

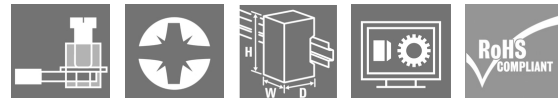
**SRC-I 2CO****Weidmüller Interface GmbH & Co. KG**

Klingenbergstraße 26

D-32758 Detmold

Germany

www.weidmueller.com

**Product image**

Relay sockets for the RIDERSERIES RCI relays

- 1 and 2 CO contacts
- Screw and PUSH IN connection
- Standard and low heights

**General ordering data**

Version	RIDERSERIES RCI, Relay socket, Number of contacts: 2, CO contact, Continuous current: 8 A, Screw connection
Order No.	<a href="#">8869490000</a>
Type	SRC-I 2CO
GTIN (EAN)	4032248614448
Qty.	10 pc(s).

Creation date September 21, 2023 10:53:13 AM CEST

Catalogue status 15.09.2023 / We reserve the right to make technical changes.

## SRC-I 2CO

Weidmüller Interface GmbH &amp; Co. KG

Klingenbergstraße 26

D-32758 Detmold

Germany

www.weidmueller.com

## Technical data

## Dimensions and weights

Depth	61.5 mm	Depth (inches)	2.421 inch
Height	77 mm	Height (inches)	3.031 inch
Width	15.8 mm	Width (inches)	0.622 inch
Net weight	39.28 g		

## Temperatures

Storage temperature	-40 °C...70 °C	Operating temperature	-40 °C...70 °C
Operating temperature, min.	-40 °C	Operating temperature, max.	70 °C
Humidity	40 °C / 93 % rel. humidity, no condensation		

## Rated data UL

Certificate No. (cURus)	E223759
-------------------------	---------

## Load side

Rated switching voltage	250 V AC	Continuous current	8 A
Max. switching voltage, AC	250 V	Contact type	2 CO contact

## General data

Rail	TS 35	Colour	black
UL 94 flammability rating	V-0		

## Insulation coordination

Rated voltage	250 V	Pollution severity	2
Surge voltage category	III	Insulating material group	IIIa
Clearance and creepage distances for control side - load side	≥ 10 mm	Dielectric strength for control side - load side	5 kV <sub>eff</sub> / 1 min
Type of isolation at input and output	reinforced insulation	Dielectric strength of neighbouring contacts	2.5 kV <sub>eff</sub> / 1 Min.
Type of isolation at neighbouring contacts	Functional insulation	Dielectric strength of open contact	1 kV <sub>eff</sub> / 1 min
Protection degree	IP20		

## Further details of approvals / standards

Certificate No. (CSA)	249409-2295474	Certificate No. (cURus)	E223759
-----------------------	----------------	-------------------------	---------

## SRC-I 2CO

Weidmüller Interface GmbH &amp; Co. KG

Klingenbergstraße 26

D-32758 Detmold

Germany

www.weidmueller.com

## Technical data

## Connection data

Wire connection method	Screw connection	Stripping length, rated connection	8 mm
Tightening torque, min.	0.5 Nm	Tightening torque, max.	0.7 Nm
Clamping range, rated connection	2.5 mm <sup>2</sup>	Clamping range, min.	1 mm <sup>2</sup>
Clamping range, max.	2.5 mm <sup>2</sup>	Wire cross-section, solid, min.	1 mm <sup>2</sup>
Wire cross-section, solid, max.	2.5 mm <sup>2</sup>	Wire connection cross section, finely stranded, min.	1 mm <sup>2</sup>
Wire connection cross section, finely stranded, max.	2.5 mm <sup>2</sup>	Wire connection cross-section, finely stranded with wire-end ferrules DIN 46228/4, min.	1 mm <sup>2</sup>
Wire connection cross-section, finely stranded with wire-end ferrules DIN 46228/4, max.	2.5 mm <sup>2</sup>	Conductor cross-section, flexible, AEH (DIN 46228-1), min.	1 mm <sup>2</sup>
Conductor cross-section, flexible, AEH (DIN 46228-1), max.	2.5 mm <sup>2</sup>	Wire connection cross section, finely stranded, two clampable wires, min.	1 mm <sup>2</sup>
Wire cross-section, finely stranded, two clampable wires, max.	1.5 mm <sup>2</sup>	Blade size	size PZ1
Pitch in mm (P)	5 mm		

## Classifications

ETIM 6.0	EC001456	ETIM 7.0	EC001456
ETIM 8.0	EC001456	ETIM 9.0	EC001456
ECLASS 9.0	27-37-16-03	ECLASS 9.1	27-37-16-03
ECLASS 10.0	27-37-16-03	ECLASS 11.0	27-37-16-03
ECLASS 12.0	27-37-16-03	ECLASS 13.0	27371603

## Important note

Product information IP20 without connected conductor at complete opened clamping yoke connection.

## Approvals

Approvals



ROHS	Conform
UL File Number Search	UL Website
Certificate No. (cURus)	E223759

## Downloads

Approval/Certificate/Document of Conformity	<a href="#">EU Konformitätserklärung / EU Declaration of Conformity</a>
Engineering Data	<a href="#">CAD data – STEP</a>
Catalogues	<a href="#">Catalogues in PDF-format</a>
Brochures	

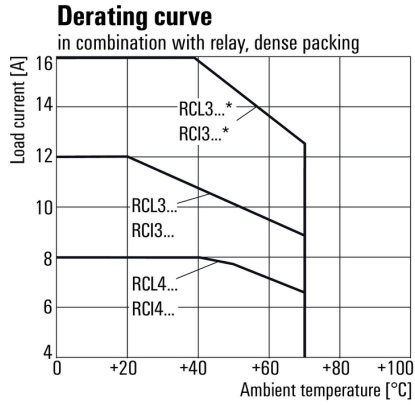
**SRC-I 2CO**

**Weidmüller Interface GmbH & Co. KG**  
 Klingenbergstraße 26  
 D-32758 Detmold  
 Germany

www.weidmueller.com

**Drawings**

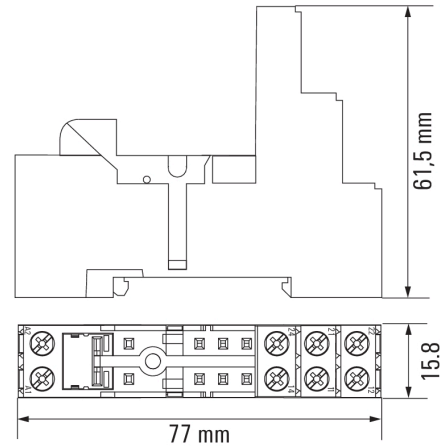
**Graph**



\* For full continuous current (16 A), the wire terminals 11 with 21, 12 with 22 and 14 with 24 must be bridged with a wire  $\geq 1,5 \text{ mm}^2$  at the socket.

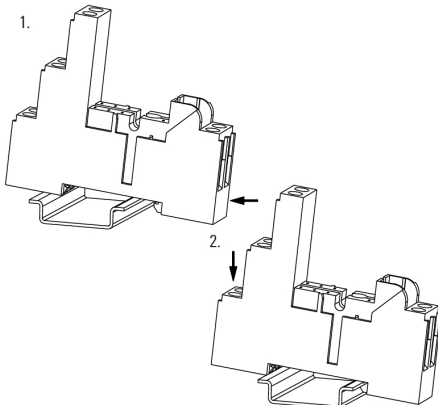
**Derating curve**

**Dimensional drawing**



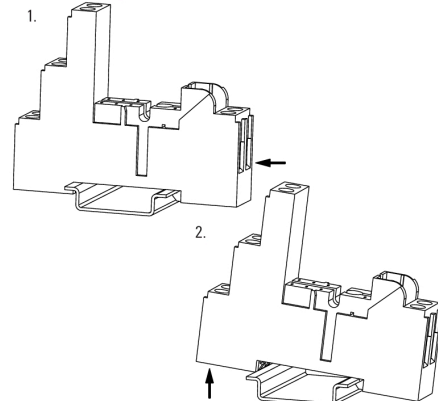
**Miscellaneous**

**Snap on socket**



**Miscellaneous**

**Unlatching socket**



## SRC-I 2CO

Weidmüller Interface GmbH &amp; Co. KG

Klingenbergstraße 26

D-32758 Detmold

Germany

www.weidmueller.com

## Mating connector (fully pluggable)

## With LED



Individual relays within the RIDERSERIES RCI

- 1 CO contact
- AC coils
- With integrated status LED

## General ordering data

Type	RCI314R24	Version
Order No.	<a href="#">8870130000</a>	RIDERSERIES RCI, Relay, Number of contacts: 1, CO contact AgNi,
GTIN (EAN)	4032248613502	Rated control voltage: 24 V AC, Continuous current: 16 A, Plug-in
Qty.	10 pc(s).	connection, Test button available: No
Type	RCI314T30	Version
Order No.	<a href="#">8870150000</a>	RIDERSERIES RCI, Relay, Number of contacts: 1, CO contact AgNi,
GTIN (EAN)	4032248613526	Rated control voltage: 230 V AC, Continuous current: 16 A, Plug-in
Qty.	10 pc(s).	connection, Test button available: No
Type	RCI314S15	Version
Order No.	<a href="#">8870140000</a>	RIDERSERIES RCI, Relay, Number of contacts: 1, CO contact AgNi,
GTIN (EAN)	4032248613519	Rated control voltage: 115 V AC, Continuous current: 16 A, Plug-in
Qty.	10 pc(s).	connection, Test button available: No

## Standard relay



Individual relays within the RIDERSERIES RCI

- 1 CO contact
- Optional AC or DC coils

## General ordering data

Type	RCI314730	Version
Order No.	<a href="#">8869860000</a>	RIDERSERIES RCI, Relay, Number of contacts: 1, CO contact AgNi,
GTIN (EAN)	4032248613212	Rated control voltage: 230 V AC, Continuous current: 16 A, Plug-in
Qty.	10 pc(s).	connection, Test button available: No
Type	RCI314615	Version
Order No.	<a href="#">8869850000</a>	RIDERSERIES RCI, Relay, Number of contacts: 1, CO contact AgNi,
GTIN (EAN)	4032248613205	Rated control voltage: 115 V AC, Continuous current: 16 A, Plug-in
Qty.	10 pc(s).	connection, Test button available: No
Type	RCI314012	Version
Order No.	<a href="#">8869800000</a>	RIDERSERIES RCI, Relay, Number of contacts: 1, CO contact AgNi,
GTIN (EAN)	4032248613151	Rated control voltage: 12 V DC, Continuous current: 16 A, Plug-in
Qty.	10 pc(s).	connection, Test button available: No

## SRC-I 2CO

Weidmüller Interface GmbH &amp; Co. KG

Klingenbergstraße 26

D-32758 Detmold

Germany

www.weidmueller.com

## Mating connector (fully pluggable)

Type	RCI314110	Version
Order No.	<a href="#">8869830000</a>	RIDERSERIES RCI, Relay, Number of contacts: 1, CO contact AgNi,
GTIN (EAN)	4032248613182	Rated control voltage: 110 V DC, Continuous current: 16 A, Plug-in
Qty.	10 pc(s).	connection, Test button available: No
Type	RCI314048	Version
Order No.	<a href="#">8869820000</a>	RIDERSERIES RCI, Relay, Number of contacts: 1, CO contact AgNi,
GTIN (EAN)	4032248613175	Rated control voltage: 48 V DC, Continuous current: 16 A, Plug-in
Qty.	10 pc(s).	connection, Test button available: No
Type	RCI314024	Version
Order No.	<a href="#">8869810000</a>	RIDERSERIES RCI, Relay, Number of contacts: 1, CO contact AgNi,
GTIN (EAN)	4032248613168	Rated control voltage: 24 V DC, Continuous current: 16 A, Plug-in
Qty.	10 pc(s).	connection, Test button available: No
Type	RCI314524	Version
Order No.	<a href="#">8869840000</a>	RIDERSERIES RCI, Relay, Number of contacts: 1, CO contact AgNi,
GTIN (EAN)	4032248613199	Rated control voltage: 24 V AC, Continuous current: 16 A, Plug-in
Qty.	10 pc(s).	connection, Test button available: No

## With test button



Individual relays within the RIDERSERIES RCI

- 1 CO contact
- Optional AC or DC coils
- With test button

## General ordering data

Type	RCI374524	Version
Order No.	<a href="#">8869990000</a>	RIDERSERIES RCI, Relay, Number of contacts: 1, CO contact AgNi,
GTIN (EAN)	4032248613359	Rated control voltage: 24 V AC, Continuous current: 16 A, Plug-in
Qty.	10 pc(s).	connection, Test button available: Yes
Type	RCI374730	Version
Order No.	<a href="#">8870010000</a>	RIDERSERIES RCI, Relay, Number of contacts: 1, CO contact AgNi,
GTIN (EAN)	4032248613373	Rated control voltage: 230 V AC, Continuous current: 16 A, Plug-in
Qty.	10 pc(s).	connection, Test button available: Yes
Type	RCI374024	Version
Order No.	<a href="#">8869960000</a>	RIDERSERIES RCI, Relay, Number of contacts: 1, CO contact AgNi,
GTIN (EAN)	4032248613328	Rated control voltage: 24 V DC, Continuous current: 16 A, Plug-in
Qty.	10 pc(s).	connection, Test button available: Yes
Type	RCI374012	Version
Order No.	<a href="#">8869950000</a>	RIDERSERIES RCI, Relay, Number of contacts: 1, CO contact AgNi,
GTIN (EAN)	4032248613311	Rated control voltage: 12 V DC, Continuous current: 16 A, Plug-in
Qty.	10 pc(s).	connection, Test button available: Yes

## SRC-I 2CO

**Weidmüller Interface GmbH & Co. KG**  
Klingenbergstraße 26  
D-32758 Detmold  
Germany

www.weidmueller.com

## Mating connector (fully pluggable)

### With LED and test button



Individual relays within the RIDERSERIES RCI

- 2 CO contacts
- AC coils
- With integrated status LED and test button

### General ordering data

Type	RCI484R24	Version
Order No.	<a href="#">8870350000</a>	RIDERSERIES RCI, Relay, Number of contacts: 2, CO contact AgNi,
GTIN (EAN)	4032248613731	Rated control voltage: 24 V AC, Continuous current: 8 A, Plug-in connection, Test button available: Yes
Qty.	10 pc(s).	
Type	RCI484T30	Version
Order No.	<a href="#">8870370000</a>	RIDERSERIES RCI, Relay, Number of contacts: 2, CO contact AgNi,
GTIN (EAN)	4032248613755	Rated control voltage: 230 V AC, Continuous current: 8 A, Plug-in connection, Test button available: Yes
Qty.	10 pc(s).	
Type	RCI484S15	Version
Order No.	<a href="#">8870360000</a>	RIDERSERIES RCI, Relay, Number of contacts: 2, CO contact AgNi,
GTIN (EAN)	4032248613748	Rated control voltage: 115 V AC, Continuous current: 8 A, Plug-in connection, Test button available: Yes
Qty.	10 pc(s).	

### Standard relay



Individual relays within the RIDERSERIES RCI

- 2 CO contacts
- Optional AC or DC coils

### General ordering data

Type	RCI424012	Version
Order No.	<a href="#">8869870000</a>	RIDERSERIES RCI, Relay, Number of contacts: 2, CO contact AgNi,
GTIN (EAN)	4032248613229	Rated control voltage: 12 V DC, Continuous current: 8 A, Plug-in connection, Test button available: No
Qty.	10 pc(s).	
Type	RCI424615	Version
Order No.	<a href="#">8869930000</a>	RIDERSERIES RCI, Relay, Number of contacts: 2, CO contact AgNi,
GTIN (EAN)	4032248613298	Rated control voltage: 115 V AC, Continuous current: 8 A, Plug-in connection, Test button available: No
Qty.	10 pc(s).	
Type	RCI424024	Version
Order No.	<a href="#">8869890000</a>	RIDERSERIES RCI, Relay, Number of contacts: 2, CO contact AgNi,
GTIN (EAN)	4032248613236	Rated control voltage: 24 V DC, Continuous current: 8 A, Plug-in connection, Test button available: No
Qty.	10 pc(s).	

## SRC-I 2CO

**Weidmüller Interface GmbH & Co. KG**  
 Klingenbergstraße 26  
 D-32758 Detmold  
 Germany

www.weidmueller.com

## Mating connector (fully pluggable)

Type	RCI424524	Version
Order No.	<a href="#">8869920000</a>	RIDERSERIES RCI, Relay, Number of contacts: 2, CO contact AgNi,
GTIN (EAN)	4032248613281	Rated control voltage: 24 V AC, Continuous current: 8 A, Plug-in
Qty.	10 pc(s).	connection, Test button available: No
Type	RCI424048	Version
Order No.	<a href="#">8869900000</a>	RIDERSERIES RCI, Relay, Number of contacts: 2, CO contact AgNi,
GTIN (EAN)	4032248613250	Rated control voltage: 48 V DC, Continuous current: 8 A, Plug-in
Qty.	10 pc(s).	connection, Test button available: No
Type	RCI424110	Version
Order No.	<a href="#">8869910000</a>	RIDERSERIES RCI, Relay, Number of contacts: 2, CO contact AgNi,
GTIN (EAN)	4032248613267	Rated control voltage: 110 V DC, Continuous current: 8 A, Plug-in
Qty.	10 pc(s).	connection, Test button available: No
Type	RCI424730	Version
Order No.	<a href="#">8869940000</a>	RIDERSERIES RCI, Relay, Number of contacts: 2, CO contact AgNi,
GTIN (EAN)	4032248613304	Rated control voltage: 230 V AC, Continuous current: 8 A, Plug-in
Qty.	10 pc(s).	connection, Test button available: No

## With test button



Individual relays within the RIDERSERIES RCI

- 2 CO contacts
- Optional AC or DC coils
- With test button

## General ordering data

Type	RCI484012	Version
Order No.	<a href="#">8870020000</a>	RIDERSERIES RCI, Relay, Number of contacts: 2, CO contact AgNi,
GTIN (EAN)	4032248613380	Rated control voltage: 12 V DC, Continuous current: 8 A, Plug-in
Qty.	10 pc(s).	connection, Test button available: Yes
Type	RCI484048	Version
Order No.	<a href="#">8870040000</a>	RIDERSERIES RCI, Relay, Number of contacts: 2, CO contact AgNi,
GTIN (EAN)	4032248613410	Rated control voltage: 48 V DC, Continuous current: 8 A, Plug-in
Qty.	10 pc(s).	connection, Test button available: Yes
Type	RCI484524	Version
Order No.	<a href="#">8870060000</a>	RIDERSERIES RCI, Relay, Number of contacts: 2, CO contact AgNi,
GTIN (EAN)	4032248613434	Rated control voltage: 24 V AC, Continuous current: 8 A, Plug-in
Qty.	10 pc(s).	connection, Test button available: Yes
Type	RCI484024	Version
Order No.	<a href="#">8870030000</a>	RIDERSERIES RCI, Relay, Number of contacts: 2, CO contact AgNi,
GTIN (EAN)	4032248613397	Rated control voltage: 24 V DC, Continuous current: 8 A, Plug-in
Qty.	10 pc(s).	connection, Test button available: Yes
Type	RCI484615	Version
Order No.	<a href="#">8870070000</a>	RIDERSERIES RCI, Relay, Number of contacts: 2, CO contact AgNi,
GTIN (EAN)	4032248613441	Rated control voltage: 115 V AC, Continuous current: 8 A, Plug-in
Qty.	10 pc(s).	connection, Test button available: Yes

Creation date September 21, 2023 10:53:13 AM CEST

Catalogue status 15.09.2023 / We reserve the right to make technical changes.



## SRC-I 2CO

**Weidmüller Interface GmbH & Co. KG**  
 Klingenbergstraße 26  
 D-32758 Detmold  
 Germany

www.weidmueller.com

## Mating connector (fully pluggable)

Type	RCI484110	Version
Order No.	<a href="#">8870050000</a>	RIDERSERIES RCI, Relay, Number of contacts: 2, CO contact AgNi,
GTIN (EAN)	4032248613427	Rated control voltage: 110 V DC, Continuous current: 8 A, Plug-in
Qty.	10 pc(s).	connection, Test button available: Yes
Type	RCI484730	Version
Order No.	<a href="#">8870080000</a>	RIDERSERIES RCI, Relay, Number of contacts: 2, CO contact AgNi,
GTIN (EAN)	4032248613458	Rated control voltage: 230 V AC, Continuous current: 8 A, Plug-in
Qty.	10 pc(s).	connection, Test button available: Yes

### With LED, test button and free-wheel diode



Individual relays within the RIDERSERIES RCI

- 2 CO contacts
- DC coils
- With integrated status LED, free-wheeling diode and test button

### General ordering data

Type	RCI484BBO	Version
Order No.	<a href="#">8870340000</a>	RIDERSERIES RCI, Relay, Number of contacts: 2, CO contact AgNi,
GTIN (EAN)	4032248613724	Rated control voltage: 110 V DC, Continuous current: 8 A, Plug-in
Qty.	10 pc(s).	connection, Test button available: Yes
Type	RCI484AE8	Version
Order No.	<a href="#">8870330000</a>	RIDERSERIES RCI, Relay, Number of contacts: 2, CO contact AgNi,
GTIN (EAN)	4032248613717	Rated control voltage: 48 V DC, Continuous current: 8 A, Plug-in
Qty.	10 pc(s).	connection, Test button available: Yes
Type	RCI484AC4	Version
Order No.	<a href="#">8870320000</a>	RIDERSERIES RCI, Relay, Number of contacts: 2, CO contact AgNi,
GTIN (EAN)	4032248613700	Rated control voltage: 24 V DC, Continuous current: 8 A, Plug-in
Qty.	10 pc(s).	connection, Test button available: Yes
Type	RCI484AB2	Version
Order No.	<a href="#">8870310000</a>	RIDERSERIES RCI, Relay, Number of contacts: 2, CO contact AgNi,
GTIN (EAN)	4032248613694	Rated control voltage: 12 V DC, Continuous current: 8 A, Plug-in
Qty.	10 pc(s).	connection, Test button available: Yes

## SRC-I 2CO

**Weidmüller Interface GmbH & Co. KG**  
 Klingenbergstraße 26  
 D-32758 Detmold  
 Germany

www.weidmueller.com

## Mating connector (fully pluggable)

### With LED



Individual relays within the RIDERSERIES RCI

- 2 CO contacts
- AC coils
- With integrated status LED

### General ordering data

Type	RCI424S15	Version
Order No.	<a href="#">8870220000</a>	RIDERSERIES RCI, Relay, Number of contacts: 2, CO contact AgNi,
GTIN (EAN)	4032248613588	Rated control voltage: 115 V AC, Continuous current: 8 A, Plug-in
Qty.	10 pc(s).	connection, Test button available: No
Type	RCI424R24	Version
Order No.	<a href="#">8870210000</a>	RIDERSERIES RCI, Relay, Number of contacts: 2, CO contact AgNi,
GTIN (EAN)	4032248613571	Rated control voltage: 24 V AC, Continuous current: 8 A, Plug-in
Qty.	10 pc(s).	connection, Test button available: No
Type	RCI424T30	Version
Order No.	<a href="#">8870230000</a>	RIDERSERIES RCI, Relay, Number of contacts: 2, CO contact AgNi,
GTIN (EAN)	4032248613601	Rated control voltage: 230 V AC, Continuous current: 8 A, Plug-in
Qty.	10 pc(s).	connection, Test button available: No

### RCL

### General ordering data

Type	RCL425730	Version
Order No.	<a href="#">4058640000</a>	RIDERSERIES RCL, Relay, Number of contacts: 2, CO contact AgNi
GTIN (EAN)	4032248189403	gold-plated, Rated control voltage: 230 V AC, Continuous current: 8 A,
Qty.	20 pc(s).	Plug-in connection, Test button available: No
Type	RCL424615	Version
Order No.	<a href="#">4058610000</a>	RIDERSERIES RCL, Relay, Number of contacts: 2, CO contact AgNi,
GTIN (EAN)	4032248191178	Rated control voltage: 115 V AC, Continuous current: 8 A, Plug-in
Qty.	20 pc(s).	connection, Test button available: No
Type	RT314110 110VDC 1CO	Version
Order No.	<a href="#">4058500000</a>	RIDERSERIES, Relay, Number of contacts: 1, CO contact AgNi 90/10,
GTIN (EAN)	4032248189304	Rated control voltage: 110 V DC, Continuous current: 16 A, Plug-in
Qty.	20 pc(s).	connection, Test button available: No

## SRC-I 2CO

Weidmüller Interface GmbH &amp; Co. KG

Klingenbergstraße 26

D-32758 Detmold

Germany

www.weidmueller.com

## Mating connector (fully pluggable)

Type	RCL424548	Version
Order No.	<a href="#">8693340000</a>	RIDERSERIES RCL, Relay, Number of contacts: 2, CO contact AgNi,
GTIN (EAN)	4032248364787	Rated control voltage: 48 V AC, Continuous current: 8 A, Plug-in
Qty.	20 pc(s).	connection, Test button available: No
Type	RCL314524	Version
Order No.	<a href="#">8693500000</a>	RIDERSERIES RCL, Relay, Number of contacts: 1, CO contact AgNi,
GTIN (EAN)	4032248364947	Rated control voltage: 24 V AC, Continuous current: 16 A, Plug-in
Qty.	20 pc(s).	connection, Test button available: No
Type	RCL214615	Version
Order No.	<a href="#">8693570000</a>	RIDERSERIES RCL, Relay, Number of contacts: 1, CO contact AgNi,
GTIN (EAN)	4032248365012	Rated control voltage: 115 V AC, Continuous current: 12 A, Plug-in
Qty.	20 pc(s).	connection, Test button available: No
Type	RCL424524	Version
Order No.	<a href="#">4058600000</a>	RIDERSERIES RCL, Relay, Number of contacts: 2, CO contact AgNi,
GTIN (EAN)	4032248189335	Rated control voltage: 24 V AC, Continuous current: 8 A, Plug-in
Qty.	20 pc(s).	connection, Test button available: No
Type	RT314024 24VDC 1CO	Version
Order No.	<a href="#">4058480000</a>	RIDERSERIES, Relay, Number of contacts: 1, CO contact AgNi 90/10,
GTIN (EAN)	4032248189281	Rated control voltage: 24 V DC, Continuous current: 16 A, Plug-in
Qty.	20 pc(s).	connection, Test button available: No
Type	RCLS3T012	Version
Order No.	<a href="#">8866910000</a>	RIDERSERIES RCL, Relay, Number of contacts: 1, NO contact AgSnO2
GTIN (EAN)	4032248606535	+ W, Rated control voltage: 12 V DC, Continuous current: 16 A, Plug-in
Qty.	20 pc(s).	connection, Test button available: No
Type	RCL214730	Version
Order No.	<a href="#">8693300000</a>	RIDERSERIES RCL, Relay, Number of contacts: 1, CO contact AgNi,
GTIN (EAN)	4032248364749	Rated control voltage: 230 V AC, Continuous current: 12 A, Plug-in
Qty.	20 pc(s).	connection, Test button available: No
Type	RCL214524	Version
Order No.	<a href="#">8693310000</a>	RIDERSERIES RCL, Relay, Number of contacts: 1, CO contact AgNi,
GTIN (EAN)	4032248364756	Rated control voltage: 24 V AC, Continuous current: 12 A, Plug-in
Qty.	20 pc(s).	connection, Test button available: No
Type	RCL315615	Version
Order No.	<a href="#">8824880000</a>	RIDERSERIES RCL, Relay, Number of contacts: 1, CO contact AgNi
GTIN (EAN)	4032248526376	5µm Au, Rated control voltage: 115 V AC, Continuous current: 16 A,
Qty.	10 pc(s).	Plug-in connection, Test button available: No
Type	RCL314730	Version
Order No.	<a href="#">8693320000</a>	RIDERSERIES RCL, Relay, Number of contacts: 1, CO contact AgNi,
GTIN (EAN)	4032248364763	Rated control voltage: 230 V AC, Continuous current: 16 A, Plug-in
Qty.	20 pc(s).	connection, Test button available: No
Type	RCL214048	Version
Order No.	<a href="#">8693520000</a>	RIDERSERIES RCL, Relay, Number of contacts: 1, CO contact AgNi,
GTIN (EAN)	4032248364961	Rated control voltage: 48 V DC, Continuous current: 12 A, Plug-in
Qty.	20 pc(s).	connection, Test button available: No
Type	RCL314548	Version
Order No.	<a href="#">8693880000</a>	RIDERSERIES RCL, Relay, Number of contacts: 1, CO contact AgNi,
GTIN (EAN)	4032248365340	Rated control voltage: 48 V AC, Continuous current: 16 A, Plug-in
Qty.	20 pc(s).	connection, Test button available: No
Type	RCLS3L012	Version
Order No.	<a href="#">8866890000</a>	RIDERSERIES RCL, Relay, Number of contacts: 1, NO contact AgSnO2,
GTIN (EAN)	4032248606542	Rated control voltage: 12 V DC, Continuous current: 16 A, Plug-in
Qty.	20 pc(s).	connection, Test button available: No

Creation date September 21, 2023 10:53:13 AM CEST

Catalogue status 15.09.2023 / We reserve the right to make technical changes.

11

## SRC-I 2CO

Weidmüller Interface GmbH &amp; Co. KG

Klingenbergstraße 26

D-32758 Detmold

Germany

www.weidmueller.com

## Mating connector (fully pluggable)

Type	RCL314006	Version
Order No.	<a href="#">8693800000</a>	RIDERSERIES RCL, Relay, Number of contacts: 1, CO contact AgNi,
GTIN (EAN)	4032248365265	Rated control voltage: 6 V DC, Continuous current: 16 A, Plug-in
Qty.	20 pc(s).	connection, Test button available: No
Type	RCL214012	Version
Order No.	<a href="#">8693170000</a>	RIDERSERIES RCL, Relay, Number of contacts: 1, CO contact AgNi,
GTIN (EAN)	4032248364633	Rated control voltage: 12 V DC, Continuous current: 12 A, Plug-in
Qty.	20 pc(s).	connection, Test button available: No
Type	RCL424006	Version
Order No.	<a href="#">8693330000</a>	RIDERSERIES RCL, Relay, Number of contacts: 2, CO contact AgNi,
GTIN (EAN)	4032248364770	Rated control voltage: 6 V DC, Continuous current: 8 A, Plug-in
Qty.	20 pc(s).	connection, Test button available: No
Type	RCL425615	Version
Order No.	<a href="#">4058620000</a>	RIDERSERIES RCL, Relay, Number of contacts: 2, CO contact AgNi
GTIN (EAN)	4032248415069	gold-plated, Rated control voltage: 115 V AC, Continuous current: 8 A,
Qty.	1 pc(s).	Plug-in connection, Test button available: No
Type	RCL334024	Version
Order No.	<a href="#">8693280000</a>	RIDERSERIES RCL, Relay, Number of contacts: 1, NO contact AgNi,
GTIN (EAN)	4032248364732	Rated control voltage: 24 V DC, Continuous current: 16 A, Plug-in
Qty.	20 pc(s).	connection, Test button available: No
Type	RCL 214024	Version
Order No.	<a href="#">8693200000</a>	RIDERSERIES RCL, Relay, Number of contacts: 1, CO contact AgNi,
GTIN (EAN)	4032248364664	Rated control voltage: 24 V DC, Continuous current: 12 A, Plug-in
Qty.	20 pc(s).	connection, Test button available: No
Type	RCL314615	Version
Order No.	<a href="#">8693890000</a>	RIDERSERIES RCL, Relay, Number of contacts: 1, CO contact AgNi,
GTIN (EAN)	4032248365357	Rated control voltage: 115 V AC, Continuous current: 16 A, Plug-in
Qty.	20 pc(s).	connection, Test button available: No
Type	RCL315024	Version
Order No.	<a href="#">8824830000</a>	RIDERSERIES RCL, Relay, Number of contacts: 1, CO contact AgNi
GTIN (EAN)	4032248526321	5µm Au, Rated control voltage: 24 V DC, Continuous current: 16 A,
Qty.	20 pc(s).	Plug-in connection, Test button available: No
Type	RT314110 110VDC 1CO	Version
Order No.	<a href="#">8630770000</a>	RIDERSERIES, Relay, Number of contacts: 1, CO contact AgNi 90/10,
GTIN (EAN)	4032248291908	Rated control voltage: 110 V DC, Continuous current: 16 A, Plug-in
Qty.	20 pc(s).	connection, Test button available: No
Type	RCL424512	Version
Order No.	<a href="#">8693420000</a>	RIDERSERIES RCL, Relay, Number of contacts: 2, CO contact AgNi,
GTIN (EAN)	4032248364862	Rated control voltage: 12 V AC, Continuous current: 8 A, Plug-in
Qty.	20 pc(s).	connection, Test button available: No
Type	RCL424730	Version
Order No.	<a href="#">4058630000</a>	RIDERSERIES RCL, Relay, Number of contacts: 2, CO contact AgNi,
GTIN (EAN)	4032248252510	Rated control voltage: 230 V AC, Continuous current: 8 A, Plug-in
Qty.	20 pc(s).	connection, Test button available: No
Type	RT314024 24VDC 1CO	Version
Order No.	<a href="#">8630780000</a>	RIDERSERIES, Relay, Number of contacts: 1, CO contact AgNi 90/10,
GTIN (EAN)	4032248292110	Rated control voltage: 24 V DC, Continuous current: 16 A, Plug-in
Qty.	20 pc(s).	connection, Test button available: No
Type	RT315048 48Vdc-Rel1U	Version
Order No.	<a href="#">4058740000</a>	RIDERSERIES, Relay, Number of contacts: 1, CO contact AgNi 90/10,
GTIN (EAN)	4032248303090	Rated control voltage: 48 V DC, Continuous current: 16 A, Plug-in
Qty.	1 pc(s).	connection, Test button available: No

Creation date September 21, 2023 10:53:13 AM CEST

Catalogue status 15.09.2023 / We reserve the right to make technical changes.

12

## SRC-I 2CO

**Weidmüller Interface GmbH & Co. KG**  
Klingenbergstraße 26  
D-32758 Detmold  
Germany

www.weidmueller.com

## Mating connector (fully pluggable)

## With LED and test button



Individual relays within the RIDERSERIES RCI

- 1 CO contact
- AC coils
- With integrated status LED and test button

## General ordering data

Type	RCI374S15	Version
Order No.	<a href="#">8870290000</a>	RIDERSERIES RCI, Relay, Number of contacts: 1, CO contact AgNi,
GTIN (EAN)	4032248613663	Rated control voltage: 115 V AC, Continuous current: 16 A, Plug-in
Qty.	10 pc(s).	connection, Test button available: Yes
Type	RCI374R24	Version
Order No.	<a href="#">8870280000</a>	RIDERSERIES RCI, Relay, Number of contacts: 1, CO contact AgNi,
GTIN (EAN)	4032248613656	Rated control voltage: 24 V AC, Continuous current: 16 A, Plug-in
Qty.	10 pc(s).	connection, Test button available: Yes
Type	RCI374T30	Version
Order No.	<a href="#">8870300000</a>	RIDERSERIES RCI, Relay, Number of contacts: 1, CO contact AgNi,
GTIN (EAN)	4032248613687	Rated control voltage: 230 V AC, Continuous current: 16 A, Plug-in
Qty.	10 pc(s).	connection, Test button available: Yes

## With LED and free-wheel diode



Individual relays within the RIDERSERIES RCI

- 1 CO contact
- DC coils
- With integrated status LED and free-wheeling diode

## General ordering data

Type	RCI314BB0	Version
Order No.	<a href="#">8870120000</a>	RIDERSERIES RCI, Relay, Number of contacts: 1, CO contact AgNi,
GTIN (EAN)	4032248613496	Rated control voltage: 110 V DC, Continuous current: 16 A, Plug-in
Qty.	10 pc(s).	connection, Test button available: No
Type	RCI314AE8	Version
Order No.	<a href="#">8870110000</a>	RIDERSERIES RCI, Relay, Number of contacts: 1, CO contact AgNi,
GTIN (EAN)	4032248613489	Rated control voltage: 48 V DC, Continuous current: 16 A, Plug-in
Qty.	10 pc(s).	connection, Test button available: No
Type	RCI314AB2	Version
Order No.	<a href="#">8870090000</a>	RIDERSERIES RCI, Relay, Number of contacts: 1, CO contact AgNi,
GTIN (EAN)	4032248613465	Rated control voltage: 12 V DC, Continuous current: 16 A, Plug-in
Qty.	10 pc(s).	connection, Test button available: No

Creation date September 21, 2023 10:53:13 AM CEST

Catalogue status 15.09.2023 / We reserve the right to make technical changes.

13

## SRC-I 2CO

**Weidmüller Interface GmbH & Co. KG**  
 Klingenbergstraße 26  
 D-32758 Detmold  
 Germany

www.weidmueller.com

## Mating connector (fully pluggable)

Type	RCI314AC4	Version
Order No.	<a href="#">8870100000</a>	RIDERSERIES RCI, Relay, Number of contacts: 1, CO contact AgNi,
GTIN (EAN)	4032248613472	Rated control voltage: 24 V DC, Continuous current: 16 A, Plug-in
Qty.	10 pc(s).	connection, Test button available: No

### With LED and free-wheel diode



- Individual relays within the RIDERSERIES RCI
- 2 CO contacts
  - DC coils
  - With integrated status LED and free-wheeling diode

### General ordering data

Type	RCI424AB2	Version
Order No.	<a href="#">8870170000</a>	RIDERSERIES RCI, Relay, Number of contacts: 2, CO contact AgNi,
GTIN (EAN)	4032248613533	Rated control voltage: 12 V DC, Continuous current: 8 A, Plug-in
Qty.	10 pc(s).	connection, Test button available: No
Type	RCI424AC4	Version
Order No.	<a href="#">8870180000</a>	RIDERSERIES RCI, Relay, Number of contacts: 2, CO contact AgNi,
GTIN (EAN)	4032248613540	Rated control voltage: 24 V DC, Continuous current: 8 A, Plug-in
Qty.	10 pc(s).	connection, Test button available: No
Type	RCI424AE8	Version
Order No.	<a href="#">8870190000</a>	RIDERSERIES RCI, Relay, Number of contacts: 2, CO contact AgNi,
GTIN (EAN)	4032248613557	Rated control voltage: 48 V DC, Continuous current: 8 A, Plug-in
Qty.	10 pc(s).	connection, Test button available: No
Type	RCI424BBO	Version
Order No.	<a href="#">8870200000</a>	RIDERSERIES RCI, Relay, Number of contacts: 2, CO contact AgNi,
GTIN (EAN)	4032248613564	Rated control voltage: 110 V DC, Continuous current: 8 A, Plug-in
Qty.	10 pc(s).	connection, Test button available: No

### With LED, test button and free-wheel diode



- Individual relays within the RIDERSERIES RCI
- 1 CO contact
  - DC coils
  - With integrated status LED, free-wheeling diode and test button

### General ordering data

Type	RCI374AC4	Version
Order No.	<a href="#">8870250000</a>	RIDERSERIES RCI, Relay, Number of contacts: 1, CO contact AgNi,
GTIN (EAN)	4032248613625	Rated control voltage: 24 V DC, Continuous current: 16 A, Plug-in
Qty.	10 pc(s).	connection, Test button available: Yes

Creation date September 21, 2023 10:53:13 AM CEST

## SRC-I 2CO

**Weidmüller Interface GmbH & Co. KG**  
 Klingenbergstraße 26  
 D-32758 Detmold  
 Germany

www.weidmueller.com

## Mating connector (fully pluggable)

Type	RCI374AB2	Version
Order No.	<a href="#">8870240000</a>	RIDERSERIES RCI, Relay, Number of contacts: 1, CO contact AgNi,
GTIN (EAN)	4032248613618	Rated control voltage: 12 V DC, Continuous current: 16 A, Plug-in
Qty.	10 pc(s).	connection, Test button available: Yes
Type	RCI374AE8	Version
Order No.	<a href="#">8870260000</a>	RIDERSERIES RCI, Relay, Number of contacts: 1, CO contact AgNi,
GTIN (EAN)	4032248613632	Rated control voltage: 48 V DC, Continuous current: 16 A, Plug-in
Qty.	10 pc(s).	connection, Test button available: Yes
Type	RCI374BBO	Version
Order No.	<a href="#">8870270000</a>	RIDERSERIES RCI, Relay, Number of contacts: 1, CO contact AgNi,
GTIN (EAN)	4032248613649	Rated control voltage: 110 V DC, Continuous current: 16 A, Plug-in
Qty.	10 pc(s).	connection, Test button available: Yes

## RCI

### General ordering data

Type	RCI374615	Version
Order No.	<a href="#">8870000000</a>	RIDERSERIES RCI, Relay, Number of contacts: 1, CO contact with test
GTIN (EAN)	4032248613366	button AgNi, Rated control voltage: 115 V AC, Continuous current: 16
Qty.	10 pc(s).	A, Plug-in connection, Test button available: Yes
Type	RCI374048	Version
Order No.	<a href="#">8869970000</a>	RIDERSERIES RCI, Relay, Number of contacts: 1, CO contact with test
GTIN (EAN)	4032248613335	button AgNi, Rated control voltage: 48 V DC, Continuous current: 16
Qty.	10 pc(s).	A, Plug-in connection, Test button available: Yes
Type	RCI374110	Version
Order No.	<a href="#">8869980000</a>	RIDERSERIES RCI, Relay, Number of contacts: 1, CO contact with test
GTIN (EAN)	4032248613342	button AgNi, Rated control voltage: 110 V DC, Continuous current: 16
Qty.	10 pc(s).	A, Plug-in connection, Test button available: Yes

## SRC-I 2CO

Weidmüller Interface GmbH &amp; Co. KG

Klingenbergstraße 26

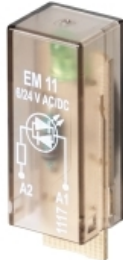
D-32758 Detmold

Germany

www.weidmueller.com

## Accessories

## LED



Pluggable protective modules for the RIDERSERIES RCI / RCM relay sockets, with optional protective functions.

- Optional with green or red LED
- For UC supply voltage

## General ordering data

Type	RIM-I 3 24/60VUC	Version
Order No.	<a href="#">8869610000</a>	RIDERSERIES, LED module, Rated control voltage: 24...60 V UC, Plug-
GTIN (EAN)	4032248614554	in connection
Qty.	10 pc(s).	
Type	RIM-I 3 24/60VUC GN	Version
Order No.	<a href="#">8869620000</a>	RIDERSERIES, LED module, Rated control voltage: 24...60 V UC, Plug-
GTIN (EAN)	4032248614561	in connection
Qty.	10 pc(s).	
Type	RIM-I 3 6/24VUC GN	Version
Order No.	<a href="#">8869640000</a>	RIDERSERIES, LED module, Rated control voltage: 6...24 V UC, Plug-in
GTIN (EAN)	4032248614585	connection
Qty.	10 pc(s).	
Type	RIM-I 3 110/230VUC GN	Version
Order No.	<a href="#">8869660000</a>	RIDERSERIES, LED module, Rated control voltage: 110...230 V UC,
GTIN (EAN)	4032248614721	Plug-in connection
Qty.	10 pc(s).	
Type	RIM-I 3 6/24VUC	Version
Order No.	<a href="#">8869630000</a>	RIDERSERIES, LED module, Rated control voltage: 6...24 V UC, Plug-in
GTIN (EAN)	4032248614578	connection
Qty.	10 pc(s).	
Type	RIM-I 3 110/230VUC	Version
Order No.	<a href="#">8869650000</a>	RIDERSERIES, LED module, Rated control voltage: 110...230 V UC,
GTIN (EAN)	4032248614592	Plug-in connection
Qty.	10 pc(s).	



**SRC-I 2CO**

**Weidmüller Interface GmbH & Co. KG**  
 Klingenbergstraße 26  
 D-32758 Detmold  
 Germany

www.weidmueller.com

**Accessories**

**Crosshead screwdriver Pozidriv**



VDE insulated crosshead screwdriver type Pozidriv SDIK PZ DIN 7438, ISO 8764/2-PZ, output to ISO 8764-PZ, SoftFinish grip

**General ordering data**

Type	SDIK PZ1 X 80	Version	
Order No.	<a href="#">2749920000</a>	Screwdriver, Blade width (B): 80 mm, Blade thickness (A):	
GTIN (EAN)	4050118897227		
Qty.	1 pc(s).		

**Cross-connection for socket with screw connection**

Cross-connection for the sockets in the D-SERIES DRI.



**General ordering data**

Type	SRC-I QV S	Version	
Order No.	<a href="#">1132070000</a>	RIDERSERIES RCI, Cross-connector	
GTIN (EAN)	4032248912087		
Qty.	10 pc(s).		

**SRC-I 2CO**

**Weidmüller Interface GmbH & Co. KG**  
 Klingenbergstraße 26  
 D-32758 Detmold  
 Germany

www.weidmueller.com

**Accessories**

**Retaining clips**



Retaining clip for RIDERSERIES RCI relays  
 • Metal and plastic retaining clip

**General ordering data**

Type	SRC-I CLIP HP	Version
Order No.	<a href="#">8869510000</a>	RIDERSERIES RCI, Retaining clip
GTIN (EAN)	4032248614462	
Qty.	10 pc(s).	
Type	SRC-I CLIP HM RCI	Version
Order No.	<a href="#">1132090000</a>	RIDERSERIES RCI, Retaining clip
GTIN (EAN)	4032248912209	
Qty.	20 pc(s).	

**Crosshead screwdriver Pozidriv**



Crosshead screwdriver, Pozidriv, SDK PZ DIN 5262, ISO 8764/2-PZ, output to ISO 8764/1-PZ, ChromTop tip, SoftFinish grip

**General ordering data**

Type	SDK PZ1 X 80	Version
Order No.	<a href="#">2749440000</a>	Screwdriver, Blade width (B): 80 mm, Blade thickness (A):
GTIN (EAN)	4050118895667	
Qty.	1 pc(s).	

## SRC-I 2CO

Weidmüller Interface GmbH &amp; Co. KG

Klingenbergstraße 26

D-32758 Detmold

Germany

www.weidmueller.com

## Accessories

## LED / Free-wheel diode



Pluggable protective modules for the RIDERSERIES RCI / RCM relay sockets, with optional protective functions.

- Optional with green or red LED
- With free-wheeling diode
- For DC supply voltage

## General ordering data

Type	RIM-I 2 6/24VDC	Version
Order No.	<a href="#">8869590000</a>	RIDERSERIES, LED module with freewheel diode, Rated control
GTIN (EAN)	4032248614530	voltage: 6...24 V DC, Plug-in connection
Qty.	10 pc(s).	
Type	RIM-I 2 24/60VDC	Version
Order No.	<a href="#">8869670000</a>	RIDERSERIES, LED module with freewheel diode, Rated control
GTIN (EAN)	4032248614608	voltage: 24...60 V DC, Plug-in connection
Qty.	10 pc(s).	
Type	RIM-I 2 24/60VDC GN	Version
Order No.	<a href="#">8869680000</a>	RIDERSERIES, LED module with freewheel diode, Rated control
GTIN (EAN)	4032248614615	voltage: 24...60 V DC, Plug-in connection
Qty.	10 pc(s).	
Type	RIM-I 2 6/24VDC GN	Version
Order No.	<a href="#">8869600000</a>	RIDERSERIES, LED module with freewheel diode, Rated control
GTIN (EAN)	4032248614547	voltage: 6...24 V DC, Plug-in connection
Qty.	10 pc(s).	
Type	RIM-I 2 110/230VDC GN	Version
Order No.	<a href="#">8869700000</a>	RIDERSERIES, LED module with freewheel diode, Rated control
GTIN (EAN)	4032248614639	voltage: 110...230 V DC, Plug-in connection
Qty.	10 pc(s).	
Type	RIM-I 2 110/230VDC	Version
Order No.	<a href="#">8869690000</a>	RIDERSERIES, LED module with freewheel diode, Rated control
GTIN (EAN)	4032248614622	voltage: 110...230 V DC, Plug-in connection
Qty.	10 pc(s).	

## SRC-I 2CO

**Weidmüller Interface GmbH & Co. KG**

Klingenbergstraße 26

D-32758 Detmold

Germany

www.weidmueller.com

## Accessories

### Protective varistor



Pluggable protective modules for the RIDERSERIES RCI / RCM relay sockets, with optional protective functions.

- With protective varistor
- For UC supply voltage

### General ordering data

Type	RIM-I 4 24VUC VAR	Version
Order No.	<a href="#">8869710000</a>	RIDERSERIES, Protective varistor, Rated control voltage: 24 V UC, Plug-
GTIN (EAN)	4032248606344	in connection
Qty.	10 pc(s).	
Type	RIM-I 4 230VUC VAR	Version
Order No.	<a href="#">8869750000</a>	RIDERSERIES, Protective varistor, Rated control voltage: 230 V UC,
GTIN (EAN)	4032248606368	Plug-in connection
Qty.	10 pc(s).	
Type	RIM-I 4 110VUC VAR	Version
Order No.	<a href="#">8869730000</a>	RIDERSERIES, Protective varistor, Rated control voltage: 110 V UC,
GTIN (EAN)	4032248606351	Plug-in connection
Qty.	10 pc(s).	

### Crosshead screwdriver, Pozidrive



VDE insulated screwdriver sets, for working on live parts up to 1000 V AC and 1500 V DC, DIN EN 60900, IEC 900. Each piece is "GS" safety tested. Blade made from fully hardened, high-alloy chromium-vanadium-molybdenum steel, gun-metal finish.

### General ordering data

Type	SDIK SLIM PZ1 X 80	Version
Order No.	<a href="#">2749670000</a>	Screwdriver, Blade width (B): 80 mm, Blade thickness (A):
GTIN (EAN)	4050118896411	
Qty.	1 pc(s).	

## SRC-I 2CO

**Weidmüller Interface GmbH & Co. KG**  
 Klingenbergstraße 26  
 D-32758 Detmold  
 Germany

www.weidmueller.com

## Accessories

### RCI

#### General ordering data

Type	SRC-I MARK	Version
Order No.	<a href="#">8869530000</a>	RIDERSERIES RCI, Label
GTIN (EAN)	4032248614479	
Qty.	10 pc(s).	

#### Protection module



Pluggable protective modules for the RIDERSERIES RCI / RCM relay sockets, with optional protective functions.

- Optional with free-wheeling diode, protective varistor, load resistor or RC filter

#### General ordering data

Type	RIM-I 1 6/230V	Version
Order No.	<a href="#">8869580000</a>	RIDERSERIES, Free-wheeling diode, Rated control voltage: 6...230 V
GTIN (EAN)	4032248614523	DC, Plug-in connection
Qty.	10 pc(s).	
Type	RIM-I 1 R 110/230V	Version
Order No.	<a href="#">8870830000</a>	RIDERSERIES, Load, Rated control voltage: 110...230 V UC, Plug-in connection
GTIN (EAN)	4032248631674	connection
Qty.	10 pc(s).	
Type	RIM-I 3 110/230VAC RC	Version
Order No.	<a href="#">8869790000</a>	RIDERSERIES, RC filter, Rated control voltage: 110...230 V UC, Plug-in connection
GTIN (EAN)	4032248606337	connection
Qty.	10 pc(s).	
Type	RIM-I 3 6/60VAC RC	Version
Order No.	<a href="#">8869770000</a>	RIDERSERIES, RC filter, Rated control voltage: 6...60 V UC, Plug-in connection
GTIN (EAN)	4032248606320	connection
Qty.	10 pc(s).	
Type	RIM-I 3 230VAC RC	Version
Order No.	<a href="#">1172210000</a>	RIDERSERIES, RC filter, Rated control voltage: 230 V UC, Plug-in connection
GTIN (EAN)	4032248964420	connection
Qty.	10 pc(s).	