

Ruggedized Hollow shaft encoder, Incremental

- Robust Ø58 mm encoder with hollow shaft
- Short-circuited protected outputs
- IP67 at housing, IP66 at shaft inlet



Mechanical data

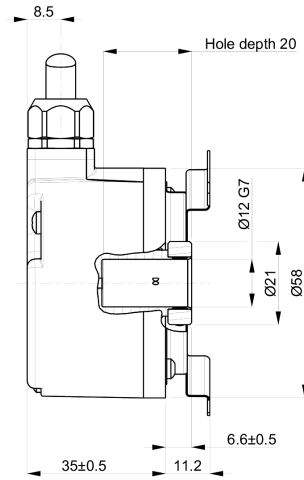
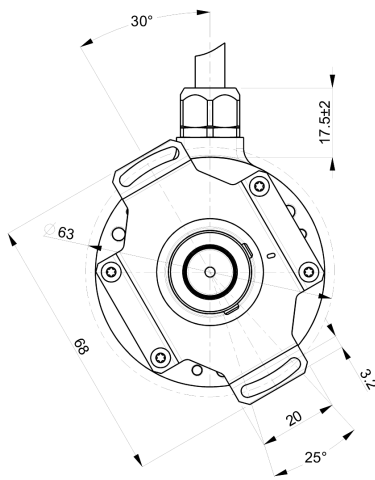
Operating temperature	-40 °C...+70 °C
Ingress protection class [IEC 60529]	IP67 (IP66 at shaft inlet)
Vibration [IEC 60068-2-64]	≤ 300 m/s ²
Shock [IEC 60068-2-27]	≤ 2000 m/s ²
Shaft load (axial/radial)	10 N / 20 N
Rotational speed max	6000 rpm
Shaft material	Stainless steel
Cover material	Aluminium (Anodized)
Weight	300 g

Encoder configuration

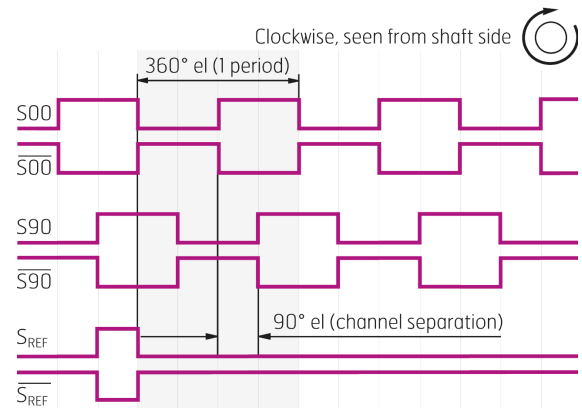
Type	RHI
Model	503 Standard
Shaft type	Ø12 mm blind hollow shaft
Flange type	58/59-flange with stator coupling
Resolution	2048 ppr
Power supply	9-30 Vdc
Output signal	RS422
Connection type	Cable
Connecting direction	Radial
Cable length	1.50 m
Number of channels	6 (S00, S00\, S90, S90\, Sref, Sref\)

Electrical data

Polarity protected	Yes
Short circuit protected outputs	Yes
Current consumption (No load)	25 mA at 24 Vdc (Max. 40 mA)
Incremental output load (max)	± 20 mA
Output frequency max	300 kHz
Cable length max	1000 m
Channel separation	90 °el ± 25 °el
Dividing error	± 50 °el

Dimensions**Pin Configuration**

Function	Colour
S90	Green
S90 inverted	White
S00 inverted	Black
S00	Yellow
+E Volt	Red
0 Volt	Blue
Sref	Brown
Sref inverted	Violet
STATUS	Grey
NC	Pink
Case	Shield

Output signal**Order information**

Part number

745127-01