

Ruggedized Shaft encoder, Incremental

- Robust encoder with solid shaft
- Short-circuited protected outputs
- IP67 at housing, IP66 at shaft inlet



Mechanical data

Operating temperature	-40 °C...+70 °C
Ingress protection class [IEC 60529]	IP67 (IP66 at shaft inlet)
Vibration [IEC 60068-2-64]	≤ 300 m/s ²
Shock [IEC 60068-2-27]	≤ 2000 m/s ²
Shaft load (axial/radial)	50 N / 60 N
Rotational speed max	6000 rpm
Shaft material	Stainless steel
Cover material	Aluminium (Anodized)
Weight	300 g

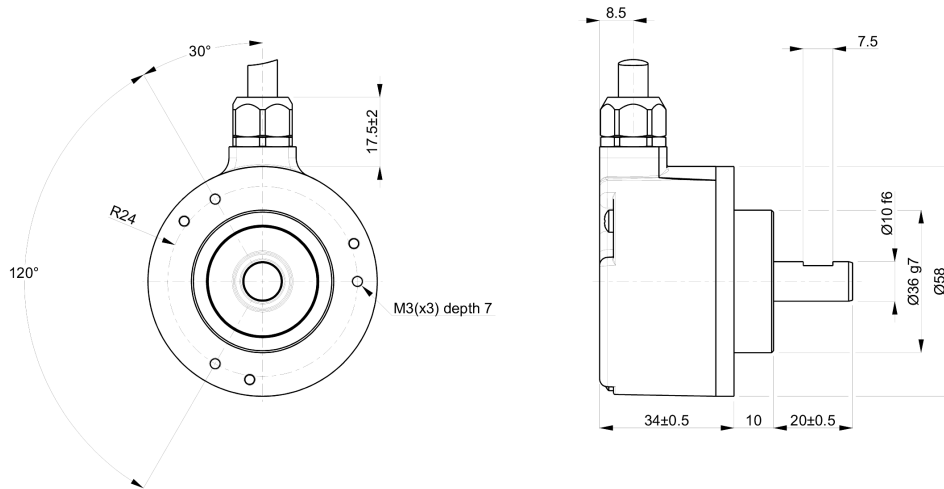
Encoder configuration

Type	RSI
Model	503 Standard
Shaft type	Ø10 mm with partial flat
Flange type	Clamping flange (61-type)
Resolution	10 ppr
Power supply	9-30 Vdc
Output signal	HTL
Connection type	Cable
Connecting direction	Radial
Cable length	1.50 m
Number of channels	6 (S00, S00\, S90, S90\, Sref, Sref\)

Electrical data

Polarity protected	Yes
Short circuit protected outputs	Yes
Current consumption (No load)	50 mA at 24 Vdc (Max. 75 mA)
Incremental output load (max)	± 40 mA
Output frequency max	300 kHz
Cable length max	100 m at 100 kHz
Channel separation	90 °el ± 25 °el
Dividing error	± 50 °el
MTTFd value [Years]	773
PFHd value [h-1]	5,85E-07

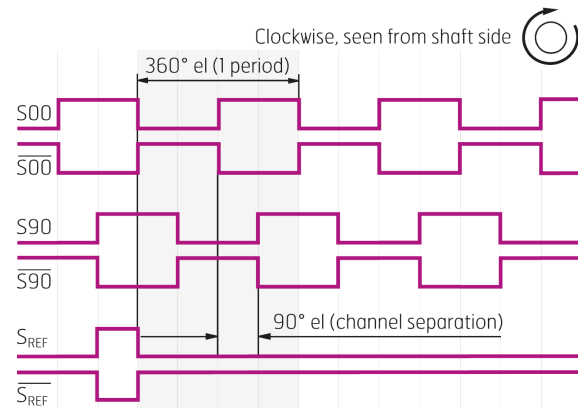
Dimensions



Pin Configuration

Function	Colour
S90	Green
S90 inverted	White
S00 inverted	Black
S00	Yellow
+E Volt	Red
0 Volt	Blue
Sref	Brown
Sref inverted	Violet
STATUS	Grey
NC	Pink
Case	Shield

Output signal



Order information

Part number	514582-18
-------------	-----------