

# PSR-SCP-24DC/URML4/3X1/1X2/B - Extension module



2903583

<https://www.phoenixcontact.com/sk/products/2903583>

Please be informed that the data shown in this PDF document is generated from our online catalog. Please find the complete data in the user documentation. Our general terms of use for downloads are valid.



Single or two-channel contact extension for OSSD signals (e.g., light grid), 3 N/O contacts, 1 N/C contact, up to Cat. 4 PL e according to EN ISO 13849, SIL 3 according to EN IEC 62061, plug-in screw terminal blocks, width: 22.5 mm

## Product description

The contact extension device is specifically designed for use in conjunction with electrosensitive protective equipment such as light grids. These systems generally have clocked OSSD signals which enable cross circuits in the cabling to be detected. The relay is resistant to the test pulses generated by the electrosensitive protective equipment receiver. Applications up to PL e or SIL 3 can therefore be implemented without the need for additional traceability to the device on the EDM circuit.

## Commercial data

Item number	2903583
Packing unit	1 pc
Minimum order quantity	1 pc
Sales key	DNA
Product key	DNA152
Catalog page	Page 232 (C-6-2019)
GTIN	4046356751698
Weight per piece (including packing)	210.9 g
Weight per piece (excluding packing)	180 g
Customs tariff number	85371098
Country of origin	DE

# PSR-SCP-24DC/URML4/3X1/1X2/B - Extension module



2903583

<https://www.phoenixcontact.com/sk/products/2903583>

## Technical data

### Product properties

Product type	Safety relays
Product family	PSRclassic
Application	Extension module
Mechanical service life	approx. $10^7$ cycles
Relay type	Electromechanical relay with force-guided contacts in accordance with IEC/EN 61810-3

### Electrical properties

Maximum power dissipation for nominal condition	1.68 W
Nominal operating mode	100% operating factor

Air clearances and creepage distances between the power circuits

Rated insulation voltage	250 V
Rated surge voltage/insulation	4 kV / Basic isolation, (safe isolation, reinforced insulation and 6 kV between input circuit and enabling current paths.)

### Input data

#### General

Nominal input voltage $U_N$	24 V DC
Input voltage range in reference to $U_N$	0.85 ... 1.1
Typical input current at $U_N$	70 mA DC
Voltage at input/start and feedback circuit	24 V DC
Typical response time	25 ms (man. start)
Typ. starting time with $U_s$	100 ms (automatic start)
Typical release time	10 ms
Concurrence	$\infty$
Recovery time	1 s

### Output data

Contact switching type	3 enabling current paths
	1 signaling current path
Contact material	AgSnO <sub>2</sub>
Maximum switching voltage	250 V AC/DC
Minimum switching voltage	15 V AC/DC
Limiting continuous current	6 A (N/C contact / N/O contact)
Maximum inrush current	6 A
Inrush current, minimum	25 mA
Sq. Total current	$72 \text{ A}^2 (I_{TH}^2 = I_1^2 + I_2^2 + I_3^2)$
Interrupting rating (ohmic load) max.	144 W (24 V DC, $\tau = 0$ ms)
	288 W (48 V DC, $\tau = 0$ ms)
	77 W (110 V DC, $\tau = 0$ ms)

# PSR-SCP-24DC/URML4/3X1/1X2/B - Extension module



2903583

<https://www.phoenixcontact.com/sk/products/2903583>

	88 W (220 V DC, $\tau = 0$ ms)
	1500 VA (250 V AC, $\tau = 0$ ms)
Maximum interrupting rating (inductive load)	48 W (24 V DC, $\tau = 40$ ms)
	40 W (48 V DC, $\tau = 40$ ms)
	35 W (110 V DC, $\tau = 40$ ms)
	33 W (220 V DC, $\tau = 40$ ms)
Switching capacity min.	0.4 W
Switching capacity (360/h cycles)	6 A (24 V DC)
	5 A (230 V AC)
Switching capacity (3600/h cycles)	3 A (24 V (DC13))
	3 A (230 V (AC 15))
Output fuse	10 A gL/gG NEOZED (N/O contact)
	4 A gL/gG NEOZED (Signaling current path)

## Connection data

### Connection technology

pluggable	yes
-----------	-----

### Conductor connection

Connection method	Screw connection
Conductor cross section rigid	0.2 mm <sup>2</sup> ... 2.5 mm <sup>2</sup>
Conductor cross section flexible	0.2 mm <sup>2</sup> ... 2.5 mm <sup>2</sup>
Conductor cross-section AWG	24 ... 12
Stripping length	7 mm
Screw thread	M3

## Dimensions

Width	22.5 mm
Height	99 mm
Depth	114.5 mm

## Material specifications

Housing material	Polyamide
------------------	-----------

## Characteristics

### Safety data

Stop category	0
---------------	---

### Safety data: EN ISO 13849

Category	4
Performance level (PL)	e

### Safety data: IEC 61508 - High demand

Safety Integrity Level (SIL)	3
------------------------------	---

# PSR-SCP-24DC/URML4/3X1/1X2/B - Extension module



2903583

<https://www.phoenixcontact.com/sk/products/2903583>

Safety data: IEC 61508 - Low demand

Safety Integrity Level (SIL)	3
------------------------------	---

Safety data: EN IEC 62061

Safety Integrity Level (SIL)	3
------------------------------	---

## Environmental and real-life conditions

Ambient conditions

Degree of protection	IP20
Min. degree of protection of inst. location	IP54
Ambient temperature (operation)	-20 °C ... 55 °C
Ambient temperature (storage/transport)	-40 °C ... 70 °C
Maximum altitude	≤ 2000 m (Above sea level)
Max. permissible humidity (storage/transport)	75 % (on average, 85% infrequently, non-condensing)
Max. permissible relative humidity (operation)	75 % (on average, 85% infrequently, non-condensing)
Shock	15g
Vibration (operation)	10 Hz ... 150 Hz, 2g

## Standards and regulations

Air clearances and creepage distances between the power circuits

Standards/regulations	DIN EN 50178/VDE 0160
-----------------------	-----------------------

## Mounting

Mounting type	DIN rail mounting
Mounting position	any
Connection method	Screw connection

# PSR-SCP-24DC/URML4/3X1/1X2/B - Extension module

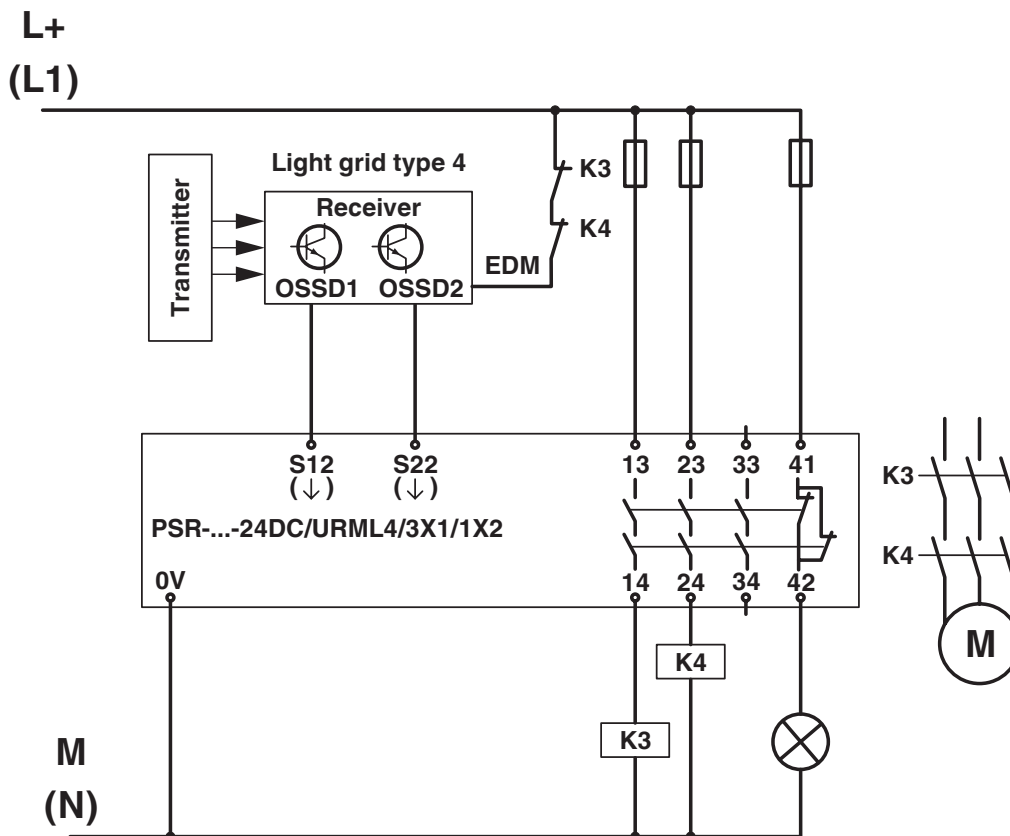


2903583

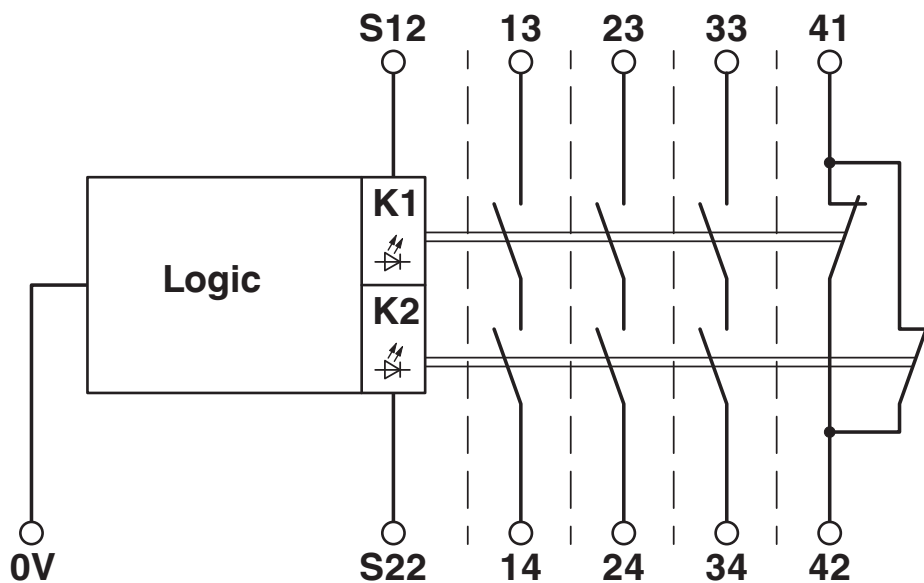
<https://www.phoenixcontact.com/sk/products/2903583>

## Drawings

Application drawing



Circuit diagram



# PSR-SCP-24DC/URML4/3X1/1X2/B - Extension module



2903583

<https://www.phoenixcontact.com/sk/products/2903583>

## Approvals

To download certificates, visit the product detail page: <https://www.phoenixcontact.com/sk/products/2903583>



**EAC**

Approval ID: RU C-DE.A\*30.B.01082



**EAC**

Approval ID: RU C-DE.A\*30.B.01082



**UL Listed**

Approval ID: FILE E 140324



**cUL Listed**

Approval ID: FILE E 140324



**cUL Listed**

Approval ID: FILE E 140324



**UL Listed**

Approval ID: FILE E 140324



**Functional Safety**

Approval ID: 01/205/5265.03/22



**Functional Safety**

Approval ID: 01/205/5265.03/22

**Functional Safety**

Approval ID: 968/EZ409.04/22

**Functional Safety**

Approval ID: 968/EZ409.04/22

# PSR-SCP-24DC/URML4/3X1/1X2/B - Extension module



2903583

<https://www.phoenixcontact.com/sk/products/2903583>

## Classifications

### ECLASS

ECLASS-11.0	27371819
ECLASS-13.0	27371819
ECLASS-12.0	27371819

### ETIM

ETIM 8.0	EC001449
----------	----------

### UNSPSC

UNSPSC 21.0	39122200
-------------	----------

# PSR-SCP-24DC/URML4/3X1/1X2/B - Extension module



2903583

<https://www.phoenixcontact.com/sk/products/2903583>

## Environmental product compliance

REACH SVHC	Lead 7439-92-1
China RoHS	Environmentally Friendly Use Period = 50 years For information on hazardous substances, refer to the manufacturer's declaration available under "Downloads"

Phoenix Contact 2023 © - all rights reserved  
<https://www.phoenixcontact.com>

PHOENIX CONTACT s.r.o.  
Námestie Mateja Korvína 1  
811 07 Bratislava  
+421 2 3210 1470  
[obchod.sk@phoenixcontact.com](mailto:obchod.sk@phoenixcontact.com)