

# PSR-PIP-24DC/MXF1/4X1/2X2/B - Safety relays



2903253

<https://www.phoenixcontact.com/sk/products/2903253>

Please be informed that the data shown in this PDF document is generated from our online catalog. Please find the complete data in the user documentation. Our general terms of use for downloads are valid.



Multifunctional safety relay for emergency stop and safety doors up to SIL 3, Cat. 4, PL e, automatically or manually monitored activation, 4 N/O contacts, 3 safety functions, 2 shutdown levels, pluggable Push-in terminal block (tool-free actuation)

## Your advantages

- Up to Cat. 4/PL e in accordance with EN ISO 13849-1, SIL 3 in accordance with EN 62061, SIL 3 in accordance with IEC 61508
- 3 safety functions in one device
- Low housing width of only 22.5mm
- No software configuration required
- Also available with push-in connection

## Commercial data

Item number	2903253
Packing unit	1 pc
Minimum order quantity	1 pc
Note	Made to order (non-returnable)
Sales key	DNA
Product key	DNA191
Catalog page	Page 235 (C-6-2019)
GTIN	4046356730181
Weight per piece (including packing)	280.84 g
Weight per piece (excluding packing)	204.88 g
Customs tariff number	85371098
Country of origin	DE

## Technical data

### Product properties

Product type	Safety relays
Application	Emergency stop
	Safety door
Mechanical service life	10x 10 <sup>6</sup> cycles
Relay type	Electromechanical relay with force-guided contacts in accordance with IEC/EN 61810-3

### Electrical properties

Maximum power dissipation for nominal condition	3 W
Nominal operating mode	100% operating factor

### Air clearances and creepage distances between the power circuits

Rated insulation voltage	250 V AC
Rated surge voltage/insulation	4 kV/basic isolation (safe isolation, reinforced insulation and 6 kV between input circuit, enabling current paths and safety circuit 1 (13/14, 23/24) and safety circuit 2 (43/44, 53/54).)

### Input data

#### General

Nominal input voltage $U_N$	24 V DC
Input voltage range in reference to $U_N$	0.85 ... 1.1
Typical input current at $U_N$	125 mA (with actuated relays)
	55 mA (Two-channel 24 V/0 V + max. 200 mA control (message outputs 32/62) with non-actuated relays)
Current consumption	typ. 5 mA ( $I_{max}/I_x$ inputs)
	20 mA (in electric torque)
Voltage at input/start and feedback circuit	24 V -15 % / +10 % (first channel: 24 V; second channel: 0 V)
Filter time	max. 1.5 ms (Test pulse duration; for all equivalent inputs)
	min. 7.5 ms (Test pulse rate; for all equivalent inputs)
Typical response time	175 ms (monitored/manual start)
	250 ms (automatic start)
Typ. starting time with $U_s$	250 ms (when controlled via A1)
Typical release time	25 ms (when controlled via S11/I1,I3,I5 and S21/I2,I4,I6)
	20 ms (when controlled via A1)
Concurrence	∞
Recovery time	1 s (Availability time after activation of sensor circuit: 100ms)
Maximum switching frequency	0.5 Hz
Protective circuit	Surge protection; Suppressor diode
Max. permissible overall conductor resistance	100 Ω
Operating voltage display	1 x green LED
Status display	5x LED green

# PSR-PIP-24DC/MXF1/4X1/2X2/B - Safety relays



2903253

<https://www.phoenixcontact.com/sk/products/2903253>

## Output data

Contact switching type	4 enabling current paths
	2 semiconductor alarm outputs
Contact material	AgCuNi, +0.2 ... 0.4 µm Au
Maximum switching voltage	250 V AC/DC
Minimum switching voltage	10 V AC/DC
Limiting continuous current	6 A (N/O contact)
	max. 100 mA (Alarm output (24 V DC))
Maximum inrush current	6 A
Inrush current, minimum	10 mA
Sq. Total current	$72 \text{ A}^2 (I_{\text{TH}}^2 = I_1^2 + I_2^2 + I_3^2 + I_4^2)$
Interrupting rating (ohmic load) max.	1500 VA (250 V AC, $\tau = 0 \text{ ms}$ )
	66 W (220 V DC, $\tau = 0 \text{ ms}$ )
	66 W (110 V DC, $\tau = 0 \text{ ms}$ )
	100 W (48 V DC, $\tau = 0 \text{ ms}$ )
	144 W (24 V DC, $\tau = 0 \text{ ms}$ )
Maximum interrupting rating (inductive load)	48 W (24 V DC, $\tau = 40 \text{ ms}$ )
	43 W (48 V DC, $\tau = 40 \text{ ms}$ )
Switching capacity min.	0.1 W
Switching capacity (360/h cycles)	5 A (0,1 Hz; DC13; 24 V)
Switching capacity (3600/h cycles)	3 A (AC15; 230 V)
Output fuse	6 A gL/gG NEOZED (N/O contact)
	4 A gL/gG NEOZED (for low-demand applications)

## Connection data

### Connection technology

pluggable	no
-----------	----

### Conductor connection

Connection method	Push-in connection
Conductor cross section rigid	0.2 mm <sup>2</sup> ... 2.5 mm <sup>2</sup>
Conductor cross section flexible	0.2 mm <sup>2</sup> ... 2.5 mm <sup>2</sup>
Conductor cross-section AWG	24 ... 16
Stripping length	10 mm

## Dimensions

Width	22.5 mm
Height	106.4 mm
Depth	114.5 mm

## Material specifications

Color	yellow
-------	--------

## Characteristics

# PSR-PIP-24DC/MXF1/4X1/2X2/B - Safety relays



2903253

<https://www.phoenixcontact.com/sk/products/2903253>

## Safety data

Stop category	0
---------------	---

## Safety data: EN ISO 13849

Category	4
Performance level (PL)	e (5 A DC13; 3 A AC15; 8760 cycles/year)

## Safety data: EN 50156

Safety Integrity Level (SIL)	3
------------------------------	---

## Safety data

Safety Integrity Level (SIL)	3
------------------------------	---

## Safety data

Safety Integrity Level (SIL)	3
------------------------------	---

## Safety data

Safety Integrity Level (SIL)	3
------------------------------	---

## Environmental and real-life conditions

### Ambient conditions

Degree of protection	IP20
Min. degree of protection of inst. location	IP54
Ambient temperature (operation)	-20 °C ... 45 °C (see derating curve)
Ambient temperature (storage/transport)	-25 °C ... 85 °C
Maximum altitude	≤ 2000 m (Above sea level)
Max. permissible humidity (storage/transport)	75 % (on average, 85% infrequently, non-condensing)
Max. permissible relative humidity (operation)	75 % (on average, 85% infrequently, non-condensing)

## Standards and regulations

### Air clearances and creepage distances between the power circuits

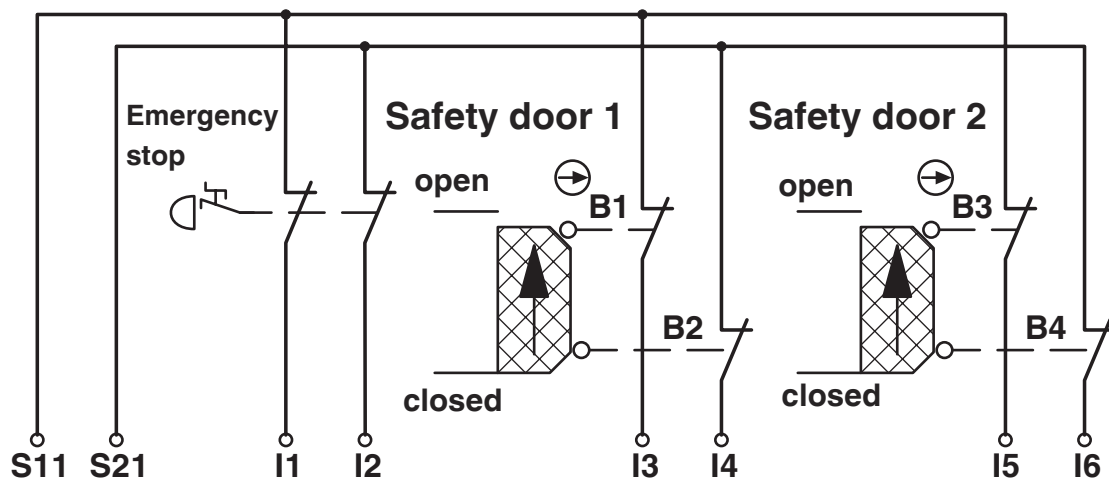
Standards/regulations	DIN EN 50178/VDE 0160
-----------------------	-----------------------

## Mounting

Mounting type	DIN rail mounting
Assembly instructions	See derating curve
Mounting position	vertical or horizontal
Connection method	Push-in connection

Drawings

Circuit diagram



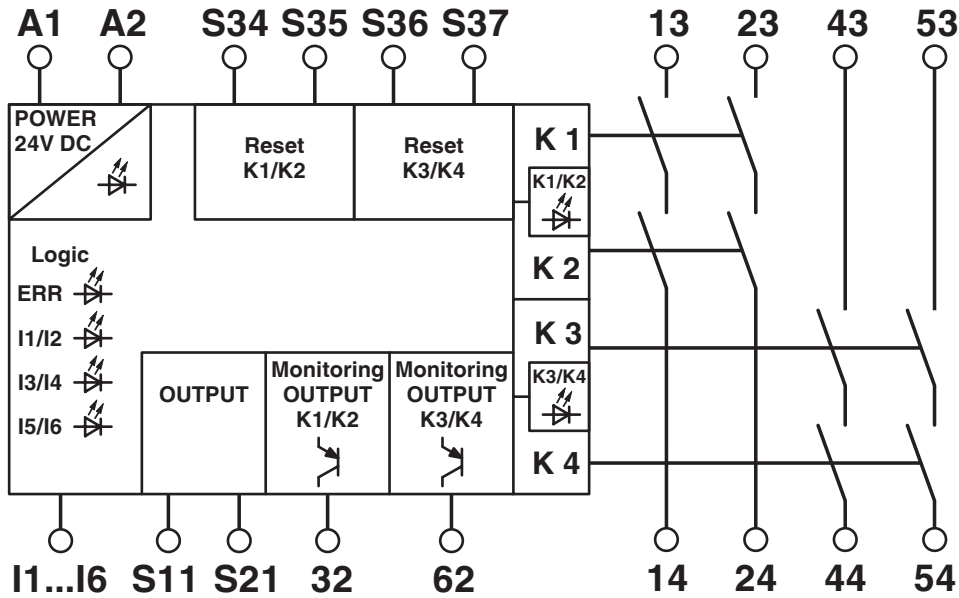
# PSR-PIP-24DC/MXF1/4X1/2X2/B - Safety relays



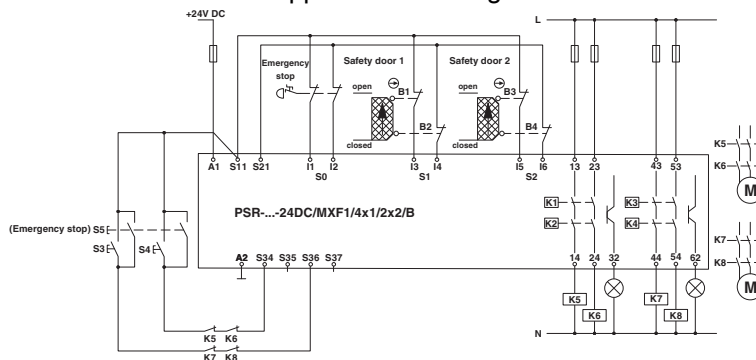
2903253

<https://www.phoenixcontact.com/sk/products/2903253>

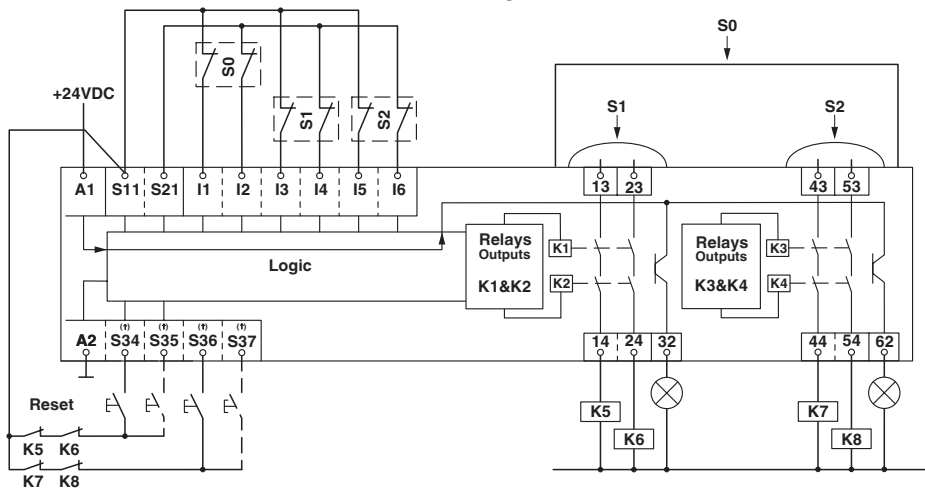
Circuit diagram



Application drawing



Circuit diagram



# PSR-PIP-24DC/MXF1/4X1/2X2/B - Safety relays



2903253

<https://www.phoenixcontact.com/sk/products/2903253>

## Approvals

To download certificates, visit the product detail page: <https://www.phoenixcontact.com/sk/products/2903253>



**EAC**

Approval ID: RU C-DE.A\*30.B.01082



**UL Listed**

Approval ID: FILE E 140324



**cUL Listed**

Approval ID: FILE E 140324

**cULus Listed**

# PSR-PIP-24DC/MXF1/4X1/2X2/B - Safety relays



2903253

<https://www.phoenixcontact.com/sk/products/2903253>

## Classifications

### ECLASS

ECLASS-11.0

27371819

### ETIM

ETIM 8.0

EC001449

### UNSPSC

UNSPSC 21.0

39122200



# PSR-PIP-24DC/MXF1/4X1/2X2/B - Safety relays



2903253

<https://www.phoenixcontact.com/sk/products/2903253>

## Environmental product compliance

REACH SVHC	Lead 7439-92-1
China RoHS	Environmentally Friendly Use Period = 50 years
	For information on hazardous substances, refer to the manufacturer's declaration available under "Downloads"

Phoenix Contact 2023 © - all rights reserved  
<https://www.phoenixcontact.com>

PHOENIX CONTACT s.r.o.  
Námestie Mateja Korvína 1  
811 07 Bratislava  
+421 2 3210 1470  
[obchod.sk@phoenixcontact.com](mailto:obchod.sk@phoenixcontact.com)