

PSR-SPP-42-48UC/ESAM4/3X1/1X2B - Safety relays



2901417

<https://www.phoenixcontact.com/us/products/2901417>

Please be informed that the data shown in this PDF document is generated from our Online Catalog. Please find the complete data in the user documentation. Our General Terms of Use for Downloads are valid.



Safety relay for emergency stop and safety door monitoring up to SIL 3 or Cat. 4, PL e in accordance with EN ISO 13849, 1- or 2-channel operation, 3 enabling current paths, nominal input voltage: 42 V AC/DC ... 48 V AC/DC, plug-in Push-in terminal block

Your advantages

- Up to Cat. 4/PL e in accordance with EN ISO 13849-1, SIL 3 in accordance with EN 62061, SIL 3 in accordance with IEC 61508
- Manually monitored and automatic activation in a single device
- Basic insulation
- 1- and 2-channel control
- 3 enabling current paths, 1 signaling current path

Commercial Data

Item number	2901417
Packing unit	1 pc
Minimum order quantity	1 pc
Sales Key	DN01
Product Key	DNA114
Catalog Page	Page 229 (C-6-2019)
GTIN	4046356592000
Weight per Piece (including packing)	235 g
Weight per Piece (excluding packing)	99.9 g
Customs tariff number	85371098
Country of origin	DE

Technical Data

Product properties

Product type	Safety relays
Product family	PSRclassic
Application	Emergency stop Safety door
Mechanical service life	approx. 10^7 cycles
Relay type	Electromechanical relay with force-guided contacts in accordance with IEC/EN 61810-3

Electrical properties

Maximum power dissipation for nominal condition	4.56 W
Nominal operating mode	100% operating factor

Air clearances and creepage distances between the power circuits

Rated insulation voltage	250 V AC
Rated surge voltage/insulation	4 kV / basic insulation (safe isolation, reinforced insulation, and 6 kV between A1-A2/logic/enabling and signaling current paths)

Input data

General

Control supply voltage range	42 V AC/DC ... 48 V AC/DC -15 % ... +10 % (Rated control circuit supply voltage U_S)
Rated control supply current I_S	95 mA
Typical input current at U_N	95 mA
Voltage at input/start and feedback circuit	~ 24 V DC
Typical response time	40 ms (man. start)
Typ. starting time with U_S	330 ms (when controlled via A1)
Typical release time	90 ms (when controlled via A1) 20 ms (when controlled via S11/S12 and S21/S22)
Concurrency	∞
Recovery time	1 s
Maximum switching frequency	0.5 Hz
Protective circuit	Surge protection; Varistor 275 V _{RMS} (A1-A2) Surge protection; Varistor
Max. permissible overall conductor resistance	50 Ω
Operating voltage display	Green LED
Status display	Green LED

Output data

Contact switching type	3 enabling current paths 1 signaling current path
Contact material	AgSnO ₂ , + 0.2 μ m Au

PSR-SPP-42-48UC/ESAM4/3X1/1X2B - Safety relays



2901417

<https://www.phoenixcontact.com/us/products/2901417>

Maximum switching voltage	250 V AC/DC
Minimum switching voltage	10 V AC/DC
Limiting continuous current	6 A (Enabling current paths)
	5 A (Signaling current path)
Maximum inrush current	6 A
Inrush current, minimum	10 mA
Sq. Total current	72 A ²
Interrupting rating (ohmic load) max.	144 W (24 V DC, $\tau = 0$ ms)
	230 W (48 V DC, $\tau = 0$ ms)
	68 W (110 V DC, $\tau = 0$ ms)
	88 W (220 V DC, $\tau = 0$ ms)
	2000 VA (250 V AC, $\tau = 0$ ms)
Maximum interrupting rating (inductive load)	48 W (24 V DC, $\tau = 40$ ms)
	40 W (48 V DC, $\tau = 40$ ms)
	35 W (110 V DC, $\tau = 40$ ms)
	33 W (220 V DC, $\tau = 40$ ms)
Switching capacity min.	100 mW
Switching capacity (360/h cycles)	6 A (24 V DC)
	5 A (230 V AC)
Switching capacity (3600/h cycles)	3 A (24 V (DC13))
	3 A (230 V (AC 15))
Output fuse	10 A gL/gG NEOZED (Enabling current paths)
	6 A gL/gG NEOZED (Signaling current path)

Connection data

Connection technology

pluggable	yes
-----------	-----

Conductor connection

Connection method	Push-in connection
Conductor cross section rigid	0.2 mm ² ... 1.5 mm ²
Conductor cross section flexible	0.2 mm ² ... 1.5 mm ²
Conductor cross section, flexible, with ferrule, with plastic sleeve	0.25 mm ² ... 1.5 mm ² (only together with CRIMPFOX 6)
Conductor cross section flexible, with ferrule without plastic sleeve	0.25 mm ² ... 1.5 mm ² (only together with CRIMPFOX 6)
Conductor cross-section AWG	24 ... 16
Stripping length	8 mm

Dimensions

Width	22.5 mm
Height	112 mm
Depth	114.5 mm

Material specifications

Housing material	Polyamide
------------------	-----------

Characteristics

Safety data

Stop category	0
---------------	---

Safety data: EN ISO 13849

Category	4
Performance level (PL)	e

Safety data: IEC 61508 - High demand

Designation	The data only applies if the safety function is demanded at least once a year.
Safety Integrity Level (SIL)	3
Probability of a hazardous failure per hour (PFH _D)	3.6×10^{-10}
Proof test interval	240 Months
Duration of use	240 Months

Safety data: IEC 61508 - Low demand

Designation	The data is only valid if the demand rate is no more than once a year.
Safety Integrity Level (SIL)	3
Mean time to a dangerous failure (MTTF _D)	19346.8 Years
Probability of a hazardous failure on demand (PFD _{AVG})	1.50×10^{-4}
Proof test interval	78 Months
Duration of use	240 Months

Environmental and real-life conditions

Ambient conditions

Degree of protection	IP20
Min. degree of protection of inst. location	IP54
Ambient temperature (operation)	-25 °C ... 55 °C
Ambient temperature (storage/transport)	-40 °C ... 85 °C
Maximum altitude	≤ 2000 m (Above sea level)
Max. permissible humidity (storage/transport)	75 % (on average, 85% infrequently, non-condensing)
Max. permissible relative humidity (operation)	75 % (on average, 85% infrequently, non-condensing)
Shock	15g
Vibration (operation)	10 Hz ... 150 Hz, 2g

Standards and regulations

Air clearances and creepage distances between the power circuits

Standards/regulations	IEC 60664-1
-----------------------	-------------

Mounting

Mounting type	DIN rail mounting
---------------	-------------------

PSR-SPP-42-48UC/ESAM4/3X1/1X2B - Safety relays



2901417

<https://www.phoenixcontact.com/us/products/2901417>

Mounting position	any
Connection method	Push-in connection

PSR-SPP-42-48UC/ESAM4/3X1/1X2B - Safety relays

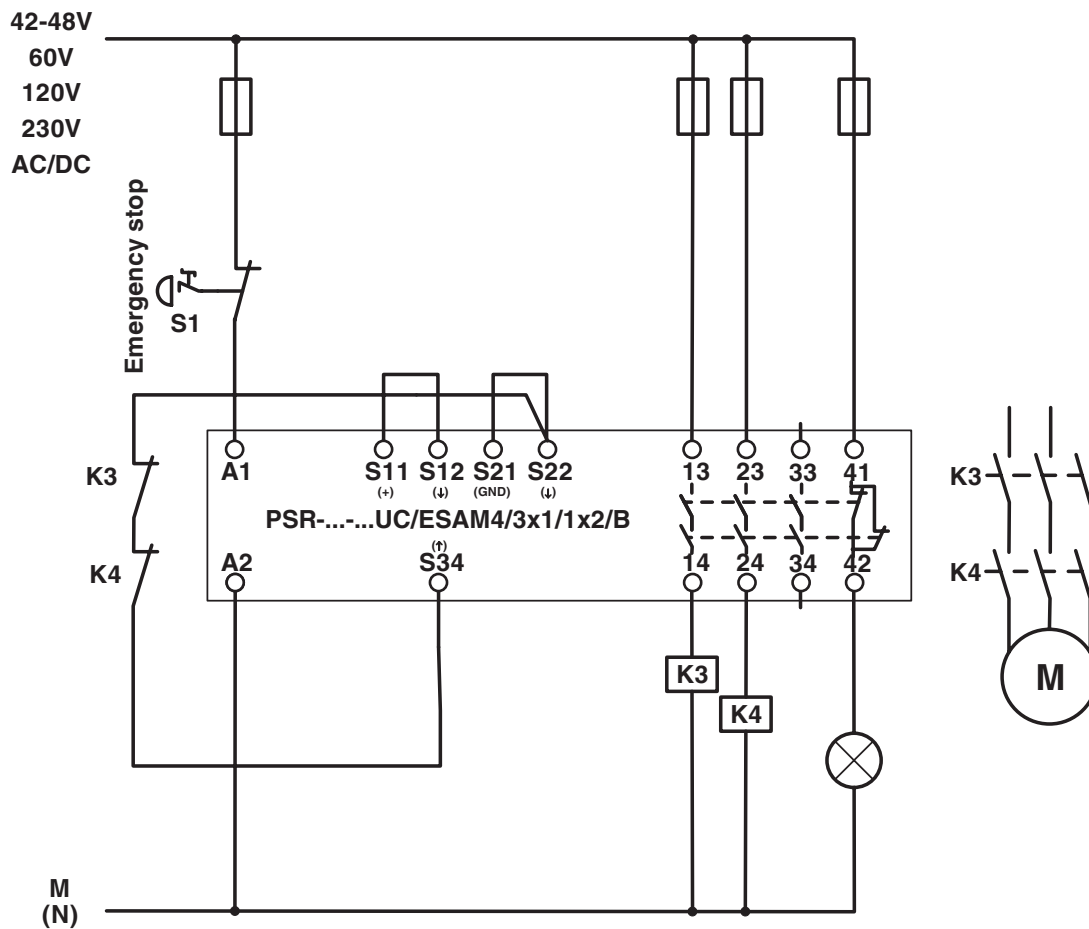


2901417

<https://www.phoenixcontact.com/us/products/2901417>

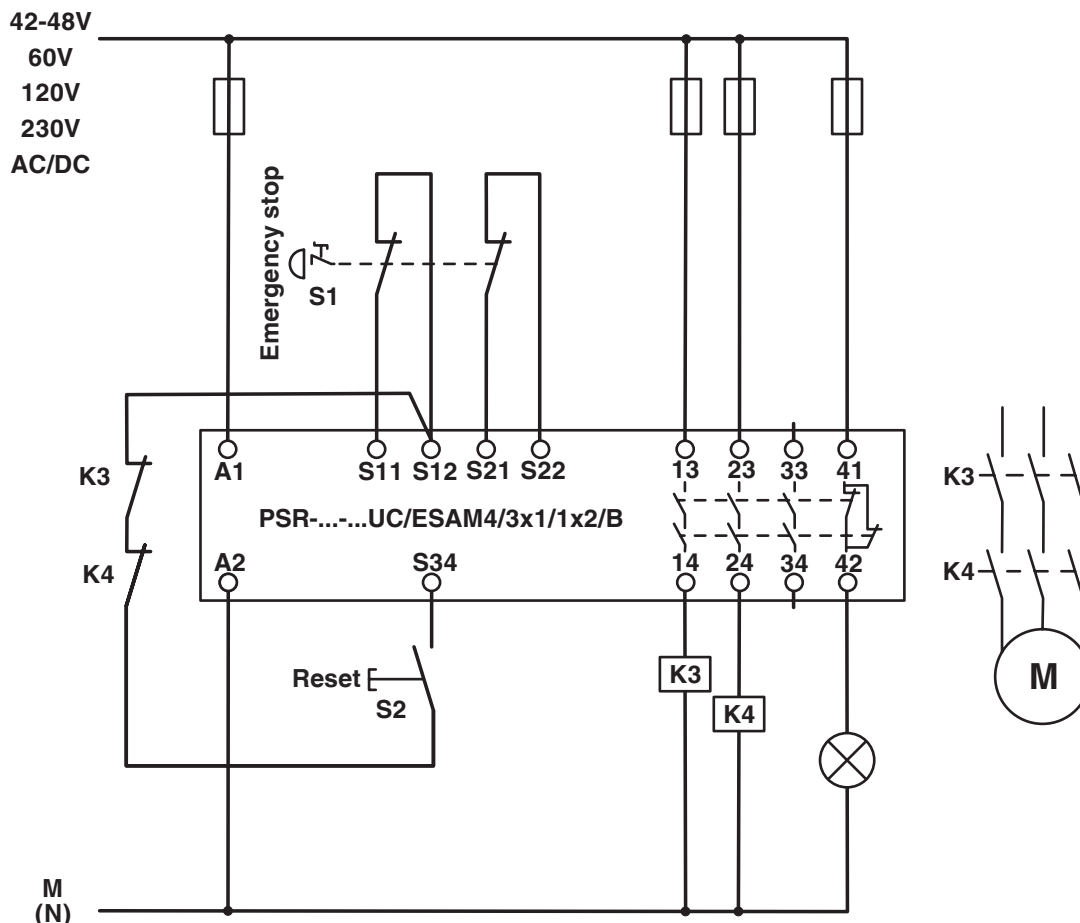
Drawings

Application drawing



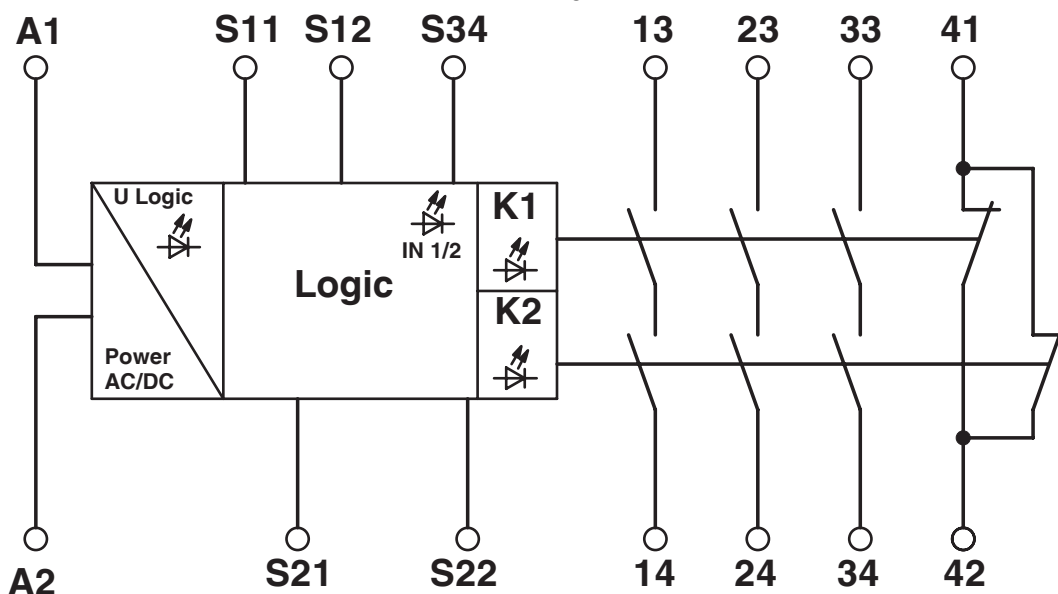
Single-channel emergency stop monitoring

Application drawing



Two-channel emergency stop monitoring

Circuit diagram



2901417

<https://www.phoenixcontact.com/us/products/2901417>

Approvals

To download certificates, visit the product detail page: <https://www.phoenixcontact.com/us/products/2901417>



EAC

Approval ID: TR_TS_D_00573_c



UL Listed

Approval ID: FILE E 140324



cUL Listed

Approval ID: FILE E 140324



Functional Safety

Approval ID: 01/205/5117.03/21



Functional Safety

Approval ID: 968/EZ 496.04/21

2901417

<https://www.phoenixcontact.com/us/products/2901417>

Classifications

ECLASS

ECLASS-11.0	27371819
ECLASS-12.0	27371819
ECLASS-13.0	27371819

ETIM

ETIM 8.0	EC001449
----------	----------

UNSPSC

UNSPSC 21.0	39122200
-------------	----------

PSR-SPP-42-48UC/ESAM4/3X1/1X2B - Safety relays



2901417

<https://www.phoenixcontact.com/us/products/2901417>

Environmental Product Compliance

REACH SVHC	Lead 7439-92-1
China RoHS	Environmentally Friendly Use Period = 50 years
	For information on hazardous substances, refer to the manufacturer's declaration available under "Downloads"

Phoenix Contact 2023 © - all rights reserved
<https://www.phoenixcontact.com>

Phoenix Contact USA
586 Fulling Mill Road
Middletown, PA 17057, United States
(+717) 944-1300
info@phoenixcon.com