

# AXL F AI4 I 1H - Analog module

2688491

<https://www.phoenixcontact.com/us/products/2688491>

Please be informed that the data shown in this PDF document is generated from our Online Catalog. Please find the complete data in the user documentation. Our General Terms of Use for Downloads are valid.



Axioline F, Analog input module, Analog inputs: 4, 0 mA ... 20 mA, 4 mA ... 20 mA, -20 mA ... 20 mA, connection technology: 2-, 3-, 4-conductor, transmission speed in the local bus: 100 Mbps, integrated sensor supply, degree of protection: IP20, including bus base module and Axioline F connectors

## Product Description

The module is designed for use within an Axioline F station. It is used to acquire analog current signals.

## Your advantages

- 4 analog, bipolar input channels for the connection of current signals
- Connection of sensors in 2-, 3-, and 4-conductor technology
- Current ranges: 0 mA ... 20 mA, 4 mA ... 20 mA,  $\pm 20$  mA
- Simultaneous scanning of all channels by means of simultaneous sampling
- High crosstalk attenuation between the channels, thanks to separate signal paths
- Particularly robust against electromagnetic interference
- Device rating plate stored

## Commercial Data

Item number	2688491
Packing unit	1 pc
Minimum order quantity	1 pc
Sales Key	DR02
Product Key	DRI241
Catalog Page	Page 82 (C-6-2019)
GTIN	4046356744225
Weight per Piece (including packing)	195.9 g
Weight per Piece (excluding packing)	195.9 g
Customs tariff number	85389091
Country of origin	DE

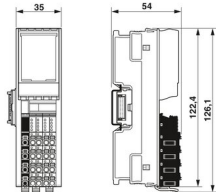
# AXL F AI4 I 1H - Analog module

2688491

<https://www.phoenixcontact.com/us/products/2688491>

## Technical Data

### Dimensions

Dimensional drawing	
Width	35 mm
Height	126.1 mm
Depth	54 mm
Note on dimensions	The depth applies when a TH 35-7.5 DIN rail is used (in accordance with EN 60715).

### Material specifications

Color	traffic grey A RAL 7042
-------	-------------------------

### Interfaces

#### Axioline F local bus

Number of interfaces	2
Connection method	Bus base module
Transmission speed	100 Mbps

### System properties

#### Module

Input address area	8 Byte
Output address area	8 Byte
Required parameter data	7 Byte
Required configuration data	6 Byte

### Input data

#### Analog

Input name	Analog inputs
Description of the input	Differential inputs, current
Number of inputs	4
A/D conversion time	31.25 $\mu$ s
A/D converter resolution	16 bit
Connection method	Push-in connection
Connection technology	2-, 3-, 4-conductor
Note regarding the connection technology	shielded
	0 mA ... 20 mA

# AXL F AI4 I 1H - Analog module



2688491

<https://www.phoenixcontact.com/us/products/2688491>

Current input signal	4 mA ... 20 mA
	-20 mA ... 20 mA
Input resistance current input	104 Ω (typical)
Data formats	IB IL, S7-compatible
Input filter	30 Hz, 12 kHz and mean-value generation (can be parameterized)
Limit frequency (3 dB)	30 Hz
	12 kHz
Measured value representation	16 bits (15 bits + sign bit)
Protective circuit	Transient protection of inputs; Suppressor diode

## Product properties

Type	block modular
Product type	I/O component
Product family	Axioline F
Mounting position	any (no temperature derating)
Scope of delivery	including bus base module and Axioline F connectors

## Insulation characteristics

Overvoltage category	II (IEC 60664-1, EN 60664-1)
Pollution degree	2 (IEC 60664-1, EN 60664-1)

## Electrical properties

Maximum power dissipation for nominal condition	4.08 W
---	--------

## Potentials: Axioline F local bus supply ( $U_{BUS}$ )

Supply voltage	5 V DC (via bus base module)
Current draw	max. 150 mA
	typ. 120 mA
Power consumption	max. 0.75 W
	typ. 0.6 W

## Potentials: Supply for analog modules ( $U_A$ )

Supply voltage	24 V DC (I/O supply and sensor supply)
Supply voltage range	19.2 V DC ... 30 V DC (including all tolerances, including ripple)
Current draw	max. 245 mA ( $I_{IS} = 4 \times 50$ mA (full load))
	max. 45 mA ( $I_{IS} = 0$ mA)
	typ. 118 mA ( $I_{IS} = 4 \times 20$ mA (nominal load))
	max. 125 mA ( $I_{IS} = 4 \times 20$ mA (nominal load))
Power consumption	typ. 238 mA ( $I_{IS} = 4 \times 50$ mA (full load))
	max. 5.88 W (Full load)
Protective circuit	Surge protection; electronic (35 V, 0.5 s)
	Reverse polarity protection; up to HW 02: polarity protection diode from HW 03: parallel diode; with external 5 A fuse (for startup only)
	Transient protection; Suppressor diode

# AXL F AI4 I 1H - Analog module



2688491

<https://www.phoenixcontact.com/us/products/2688491>

## Supply:

Designation	Sensor supply $U_{IS}$
Supply voltage	24 V DC (from $U_A$ )
Current consumption	max. 50 mA (per channel)

## Connection data

### Connection technology

Connection name	Axioline F connector
Note on the connection method	Please observe the information provided on conductor cross sections in the "Axioline F: system and installation" user manual.

### Conductor connection

Connection method	Push-in connection
Conductor cross section rigid	0.2 mm <sup>2</sup> ... 1.5 mm <sup>2</sup>
Conductor cross section flexible	0.2 mm <sup>2</sup> ... 1.5 mm <sup>2</sup>
Conductor cross section AWG	24 ... 16
Stripping length	8 mm

### Axioline F connector

Connection method	Push-in connection
Note on the connection method	Please observe the information provided on conductor cross sections in the "Axioline F: system and installation" user manual.
Conductor cross section, rigid	0.2 mm <sup>2</sup> ... 1.5 mm <sup>2</sup>
Conductor cross section, flexible	0.2 mm <sup>2</sup> ... 1.5 mm <sup>2</sup>
Conductor cross section AWG	24 ... 16
Stripping length	8 mm

## Environmental and real-life conditions

### Ambient conditions

Ambient temperature (operation)	-25 °C ... 60 °C
Degree of protection	IP20
Air pressure (operation)	70 kPa ... 106 kPa (up to 3000 m above sea level)
Air pressure (storage/transport)	70 kPa ... 106 kPa (up to 3000 m above sea level)
Ambient temperature (storage/transport)	-40 °C ... 85 °C
Permissible humidity (operation)	5 % ... 95 % (non-condensing)
Permissible humidity (storage/transport)	5 % ... 95 % (non-condensing)

## Standards and regulations

Protection class	III (IEC 61140, EN 61140, VDE 0140-1)
------------------	---------------------------------------

## Mounting

Mounting type	DIN rail mounting
Mounting position	any (no temperature derating)

# AXL F AI4 I 1H - Analog module

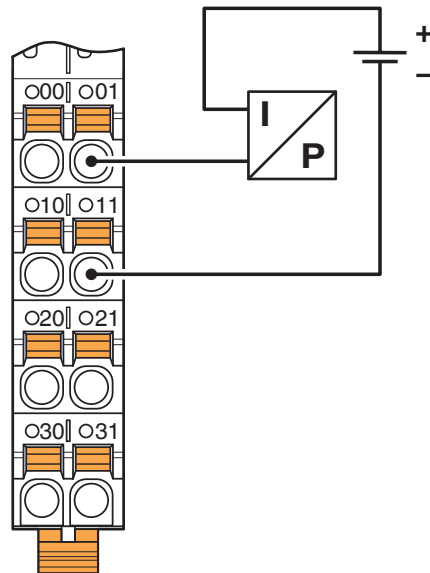
2688491

<https://www.phoenixcontact.com/us/products/2688491>



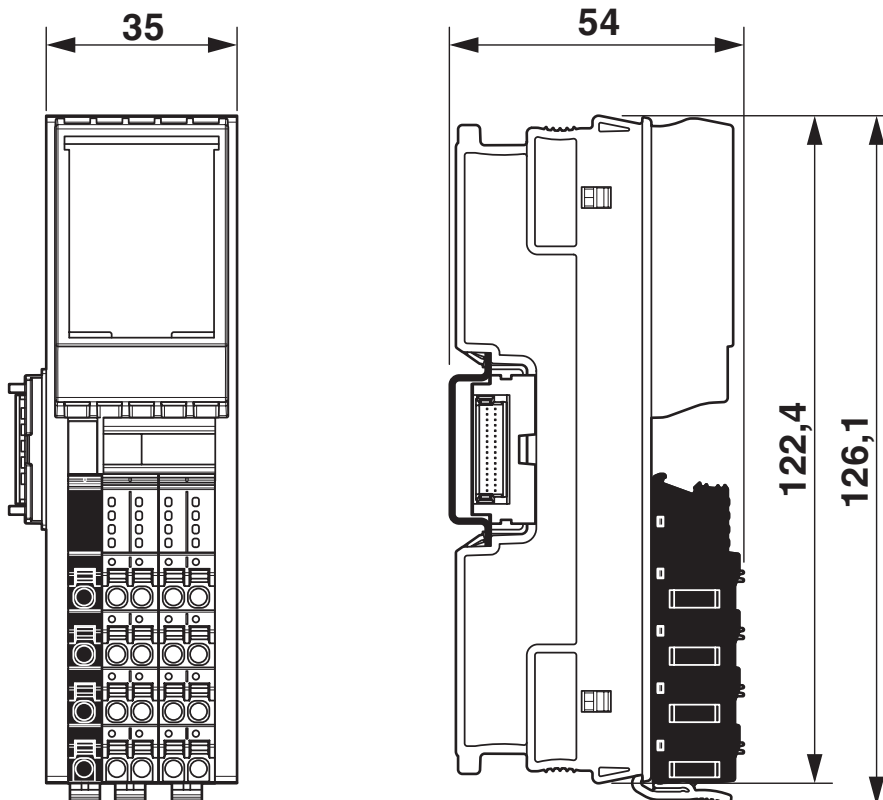
## Drawings

Connection diagram



Differential current input with passive 2-conductor transmitter (current loop)

Dimensional drawing

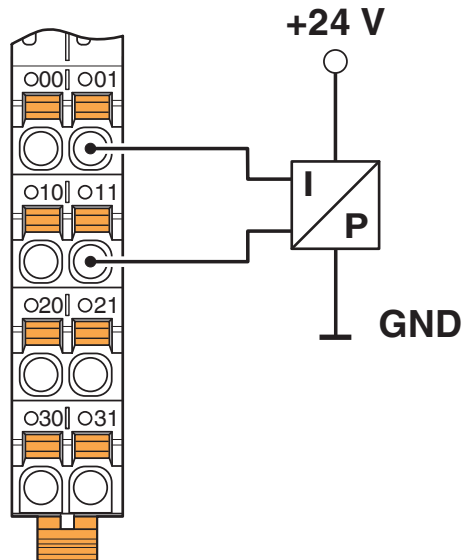


# AXL F AI4 I 1H - Analog module

2688491

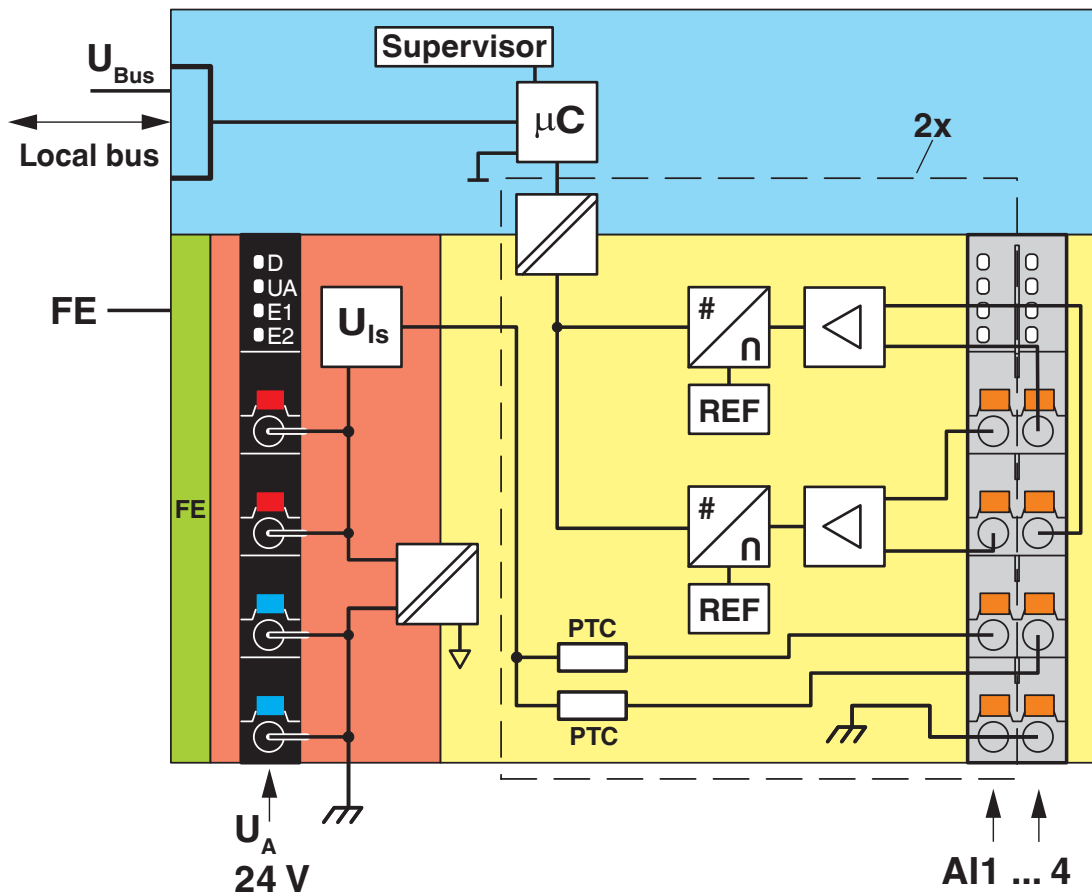
<https://www.phoenixcontact.com/us/products/2688491>

Connection diagram



Passive pressure sensor at a differential current input

Block diagram



Internal wiring of the terminal points

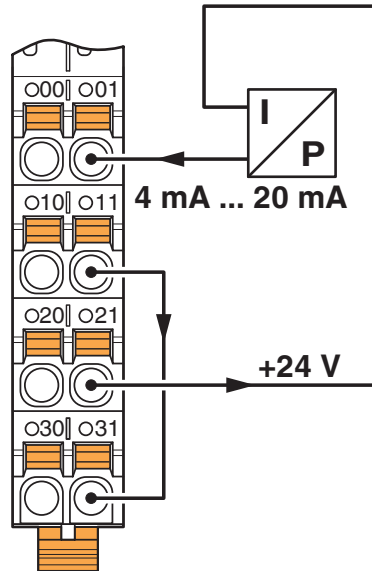
# AXL F AI4 I 1H - Analog module

2688491

<https://www.phoenixcontact.com/us/products/2688491>

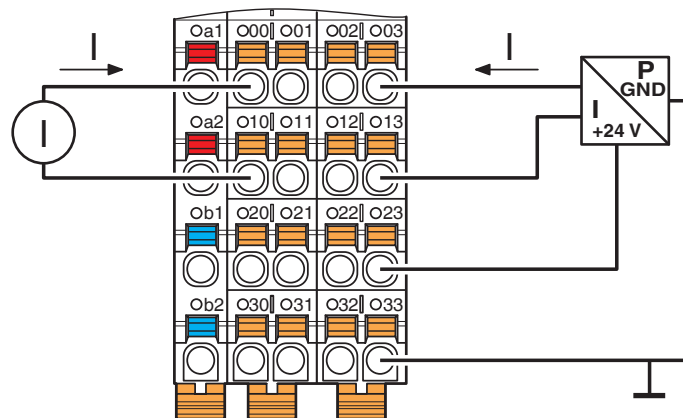


Connection diagram



Differential current input with passive 2-conductor transmitter (current loop)

Connection diagram



Connection for current measurement

# AXL F AI4 I 1H - Analog module



2688491

<https://www.phoenixcontact.com/us/products/2688491>

## Approvals

To download certificates, visit the product detail page: <https://www.phoenixcontact.com/us/products/2688491>



**DNV GL**

Approval ID: TAA00000DF



**LR**

Approval ID: LR2001902TA



**BV**

Approval ID: 36433/B4 BV



**PRS**

Approval ID: TE/1020/880590/21



**UL Listed**

Approval ID: FILE E 238705



**cUL Listed**

Approval ID: FILE E 238705

**BSH**

Approval ID: 840



**RINA**

Approval ID: ELE283021XG

**ABS**

Approval ID: 21-2187864-PDA



**EAC**

Approval ID: TR\_TS\_D\_01831-19

**UAE-RoHS**

Approval ID: 21-11-30294



# AXL F AI4 I 1H - Analog module

2688491

<https://www.phoenixcontact.com/us/products/2688491>



**cULus Listed**

# AXL F AI4 I 1H - Analog module



2688491

<https://www.phoenixcontact.com/us/products/2688491>

## Classifications

### ECLASS

ECLASS-11.0	27242601
ECLASS-12.0	27242601
ECLASS-13.0	27242601

### ETIM

ETIM 8.0	EC001596
----------	----------

### UNSPSC

UNSPSC 21.0	32151600
-------------	----------

# AXL F AI4 I 1H - Analog module

2688491

<https://www.phoenixcontact.com/us/products/2688491>



## Environmental Product Compliance

REACH SVHC	Lead 7439-92-1
China RoHS	Environmentally Friendly Use Period = 50 years
	For information on hazardous substances, refer to the manufacturer's declaration available under "Downloads"

# AXL F AI4 I 1H - Analog module

2688491

<https://www.phoenixcontact.com/us/products/2688491>



## Accessories

### AXL F BS H - Bus connector

2700992

<https://www.phoenixcontact.com/us/products/2700992>

Axioline F bus base module for housing type H



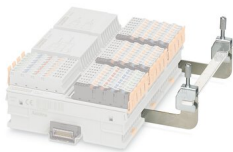
---

### AXL SHIELD SET - Shield connection

2700518

<https://www.phoenixcontact.com/us/products/2700518>

Axioline shield connection set (contains 2 shield bus holders and 2 SK 5 shield connection clamps)



# AXL F AI4 I 1H - Analog module

2688491

<https://www.phoenixcontact.com/us/products/2688491>



## ZB 20,3 AXL UNPRINTED - Zack marker strip

0829579

<https://www.phoenixcontact.com/us/products/0829579>



Zack marker strip for Axioline F (device labeling), in 2 x 20.3 mm pitch, unprinted, 25-section, for individual labeling with B-STIFT 0.8, X-PEN, or CMS-P1-PLOTTER

---

## ZBF 10/5,8 AXL UNPRINTED - Zack Marker strip, flat

0829580

<https://www.phoenixcontact.com/us/products/0829580>



Zack Marker strip, flat, Strip, white, unlabeled, can be labeled with: PLOTMARK, CMS-P1-PLOTTER, mounting type: snapped, for terminal block width: 10.15 mm, lettering field size: 4 x 10, 15 x 5 mm, 1 x 5.8 x 5 mm, Number of individual labels: 50

# AXL F AI4 I 1H - Analog module



2688491

<https://www.phoenixcontact.com/us/products/2688491>

## EMT (35X28)R - Insert label

0801602

<https://www.phoenixcontact.com/us/products/0801602>



Insert label, for marking the Axioline F series from Phoenix Contact, Roll, white, unlabeled, can be labeled with: THERMOMARK E.300 (D)/600 (D), THERMOMARK ROLL 2.0, THERMOMARK ROLL, THERMOMARK ROLL X1, THERMOMARK ROLLMaster 300/600, THERMOMARK X1.2, mounting type: insert, lettering field size: 35 x 28 mm, Number of individual labels: 500

---

Phoenix Contact 2023 © - all rights reserved

<https://www.phoenixcontact.com>

Phoenix Contact USA  
586 Fulling Mill Road  
Middletown, PA 17057, United States  
(+717) 944-1300  
[info@phoenixcon.com](mailto:info@phoenixcon.com)