

SACC-M12MS-4QO-0,75-M - Connector



1641785

<https://www.phoenixcontact.com/pc/products/1641785>

Please be informed that the data shown in this PDF document is generated from our online catalog. Please find the complete data in the user documentation. Our general terms of use for downloads are valid.



Connector, Universal, 4-position, Plug straight M12, A, Insulation displacement connection, knurl material: Zinc die-cast, nickel-plated, external cable diameter 4 mm ... 8 mm

Your advantages

- Safe use in the field, thanks to a high degree of protection
- Insulation displacement connection: innovative and time-saving assembly without stripping the single wire

Commercial data

Item number	1641785
Packing unit	1 pc
Minimum order quantity	1 pc
Product key	BF2CCA
Catalog page	Page 20 (C-2-2019)
GTIN	4017918921866
Weight per piece (including packing)	15.1 g
Weight per piece (excluding packing)	14.7 g
Customs tariff number	85366990
Country of origin	DE

SACC-M12MS-4QO-0,75-M - Connector

1641785

<https://www.phoenixcontact.com/pc/products/1641785>

Technical data

Notes

General	NOTE: Observe the permissible bending radii when laying conductors, since the degree of protection may be put in jeopardy if the bending forces are too high. Alleviate mechanical loads upstream of the connector, e.g. by using cable ties.
---------	--

Mounting

Assembly instructions	AWG 18 wire cross section upon request
Connection method	Insulation displacement connection

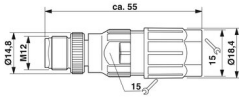
Product properties

Product type	Circular connector (cable-side)
Sensor type	Universal
Number of positions	4
No. of cable outlets	1
Shielded	no
Coding	A
Cable outlet	straight

Insulation characteristics

Overvoltage category	III
Degree of pollution	3

Dimensions

Dimensional drawing	
Length	55 mm
Wrench size, union nut	15 mm
Wrench size, counter nut	15 mm

External dimensions

Outside diameter	4 mm ... 8 mm
------------------	---------------

Housing

Diameter housing	18.4 mm
------------------	---------

Material specifications

Flammability rating according to UL 94	V0
Seal material	NBR
Material of grip body	PA 6

SACC-M12MS-4QO-0,75-M - Connector



1641785

<https://www.phoenixcontact.com/pc/products/1641785>

Contact material	CuSn
Contact surface material	Ni/Au
Contact carrier material	TPU
Material for screw connection	Zinc die-cast, nickel-plated
Wire insulation material	PVC / PE / PP / rubber

Connection data

Conductor connection

Connection method	Insulation displacement connection
Connection cross section	0.34 mm ² ... 0.75 mm ²
Connection cross section AWG	22 ... 18
Tightening torque	0.4 Nm (M12 knurl)
	1.5 Nm (Pressure nut)

Pin assignment

Contact Color (signal designation) Contact (optional)	1 = BN
	2 = WH
	3 = BU
	4 = BK

Electrical properties

Rated surge voltage	4 kV
Contact resistance	≤ 5 mΩ
Insulation resistance	≥ 100 MΩ
Nominal voltage U _N	250 V AC
	250 V DC
Nominal current I _N	4 A

Mechanical properties

Mechanical data

Insertion/withdrawal cycles	≥ 100
-----------------------------	-------

Connector

Connection 1

Head design	Plug
Head cable outlet	straight
Head thread type	M12
Coding	A

Cable/line

Signal type/category	Universal
External cable diameter ()	4 mm ... 8 mm

Environmental and real-life conditions

SACC-M12MS-4QO-0,75-M - Connector



1641785

<https://www.phoenixcontact.com/pc/products/1641785>

Ambient conditions

Degree of protection	IP65
	IP67
Ambient temperature (operation)	-25 °C ... 80 °C (Plug / socket)
Ambient temperature (assembly)	-5 °C ... 50 °C (During assembly)

Standards and regulations

M12

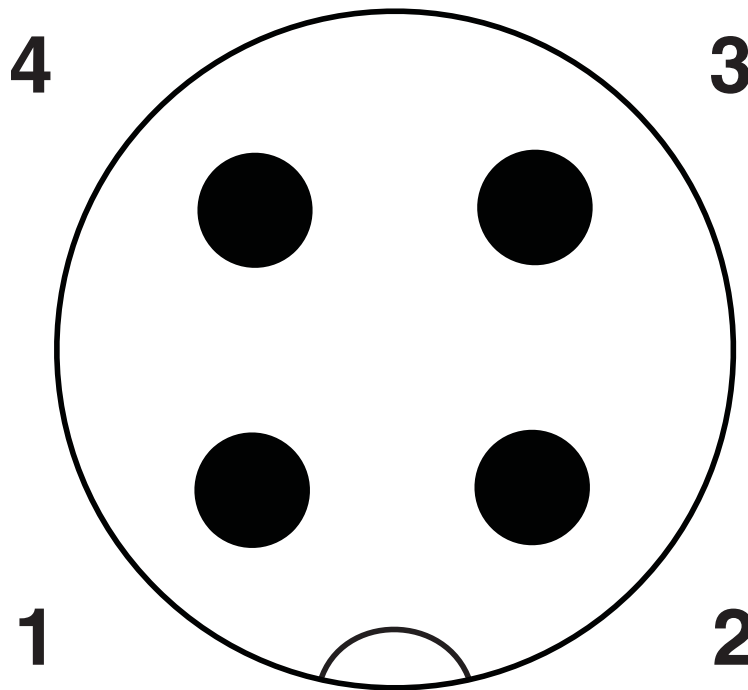
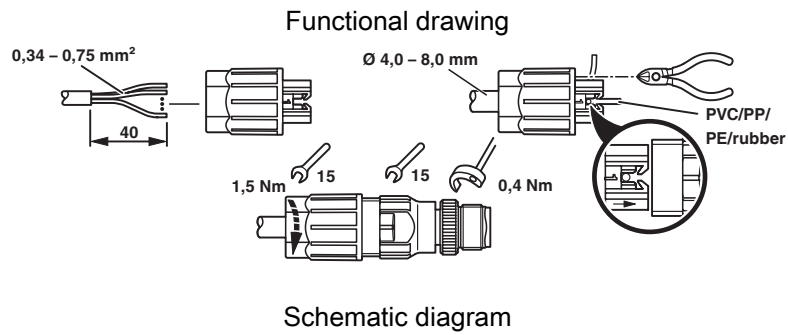
Standard designation	M12 connector
Standards/specifications	according to IEC 61076-2-101

SACC-M12MS-4QO-0,75-M - Connector

1641785

<https://www.phoenixcontact.com/pc/products/1641785>

Drawings



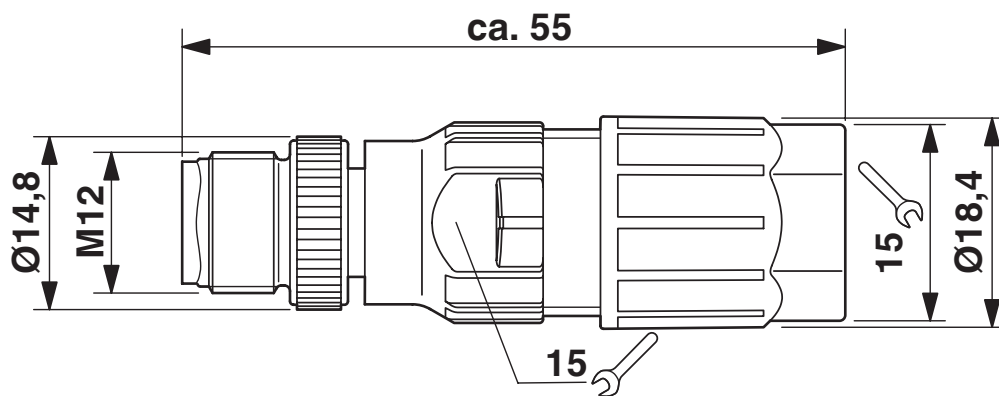
Pin assignment M12 plug, 4-pos., A-coded, view plug side

SACC-M12MS-4QO-0,75-M - Connector

1641785

<https://www.phoenixcontact.com/pc/products/1641785>

Dimensional drawing



Plug, M12 x 1, straight, shielded

SACC-M12MS-4QO-0,75-M - Connector





1641785

<https://www.phoenixcontact.com/pc/products/1641785>


Approvals

To download certificates, visit the product detail page: <https://www.phoenixcontact.com/pc/products/1641785>

 cUL Recognized Approval ID: FILE E 118976				
	Nominal voltage U_N	Nominal current I_N	Cross section AWG	Cross section mm^2
	300 V	4 A	-	-

 UL Recognized Approval ID: FILE E 118976				
	Nominal voltage U_N	Nominal current I_N	Cross section AWG	Cross section mm^2
	300 V	4 A	-	-

 EAC Approval ID: EAC-Zulassung	
---	--

 EAC Approval ID: RU C-DE.BL08.B.00511	
---	--

cULus Recognized	
-------------------------	--

SACC-M12MS-4QO-0,75-M - Connector



1641785

<https://www.phoenixcontact.com/pc/products/1641785>

Classifications

ECLASS

ECLASS-11.0	27440102
ECLASS-12.0	27440116
ECLASS-13.0	27440116

ETIM

ETIM 8.0	EC002635
----------	----------

UNSPSC

UNSPSC 21.0	39121400
-------------	----------

SACC-M12MS-4QO-0,75-M - Connector



1641785

<https://www.phoenixcontact.com/pc/products/1641785>

Environmental product compliance

China RoHS	Environmentally friendly use period: unlimited = EFUP-e
	No hazardous substances above threshold values

SACC-M12MS-4QO-0,75-M - Connector



1641785

<https://www.phoenixcontact.com/pc/products/1641785>

Accessories

PROT-M12 FS-PA-CHAIN - Sealing cap

1430873

<https://www.phoenixcontact.com/pc/products/1430873>

M12 sealing cap made of plastic with fixing band, for sensor cables, for free M12 plugs



SAC-4P-100,0-PUR/0,34 - Cable reel

1501663

<https://www.phoenixcontact.com/pc/products/1501663>

By the meter, Cable reel, PUR halogen-free, black-gray RAL 7021, 4-wire, color single wire: brown, white, blue, black, cable length: 100 m



SACC-M12MS-4QO-0,75-M - Connector

1641785

<https://www.phoenixcontact.com/pc/products/1641785>



SAC-4P-100,0-186/0,75 - Cable reel

1457461

<https://www.phoenixcontact.com/pc/products/1457461>



By the meter, Cable reel, PUR, black-gray RAL 7021, 4-wire, color single wire: brown, white, blue, black, cable length: 100 m

QSS 15 - Socket wrench

1641992

<https://www.phoenixcontact.com/pc/products/1641992>



Allen wrench, for loosening and fastening the QUICKON union nut, WAF 15 mm

SACC-M12MS-4QO-0,75-M - Connector

1641785

<https://www.phoenixcontact.com/pc/products/1641785>

TSD 04 SAC - Torque screwdriver

1208429

<https://www.phoenixcontact.com/pc/products/1208429>



Torque screwdriver, with preset torque of 0.4 Nm and 4 mm hexagonal drive for M12 connectors

SAC BIT M12-D15 - Tool

1208432

<https://www.phoenixcontact.com/pc/products/1208432>



Nut for assembling sensor/actuator cables with M12 connector and M12 connectors for assembly, with a knurl diameter of 15 mm, for 4 mm hexagonal drive

SACC-M12MS-4QO-0,75-M - Connector

1641785

<https://www.phoenixcontact.com/pc/products/1641785>



TSD-M 1,2NM - Torque screwdriver

1212224

<https://www.phoenixcontact.com/pc/products/1212224>



Torque screw driver, accuracy as per EN ISO 6789 standard, adjustable from 0.3 - 1.2 Nm

TSD-M SAC-BIT ADAPTER - Adapter insert

1212600

<https://www.phoenixcontact.com/pc/products/1212600>



Adapter bit for TSD-M...torque tools, E6.3-1/4" drive with 4 mm hexagon to accommodate SAC bits

Phoenix Contact 2023 © - all rights reserved
<https://www.phoenixcontact.com>

PHOENIX CONTACT GmbH & Co. KG
Flachsmarktstraße 8
D-32825 Blomberg
+49 (0) 5235-3 00
info@phoenixcontact.com